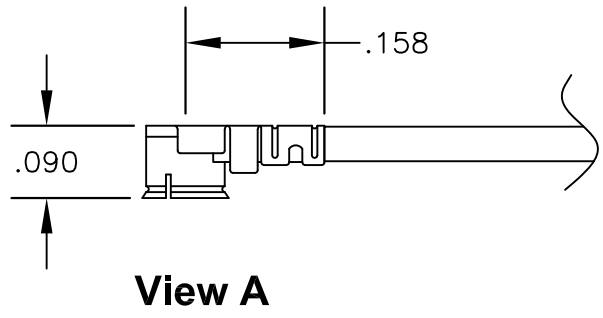
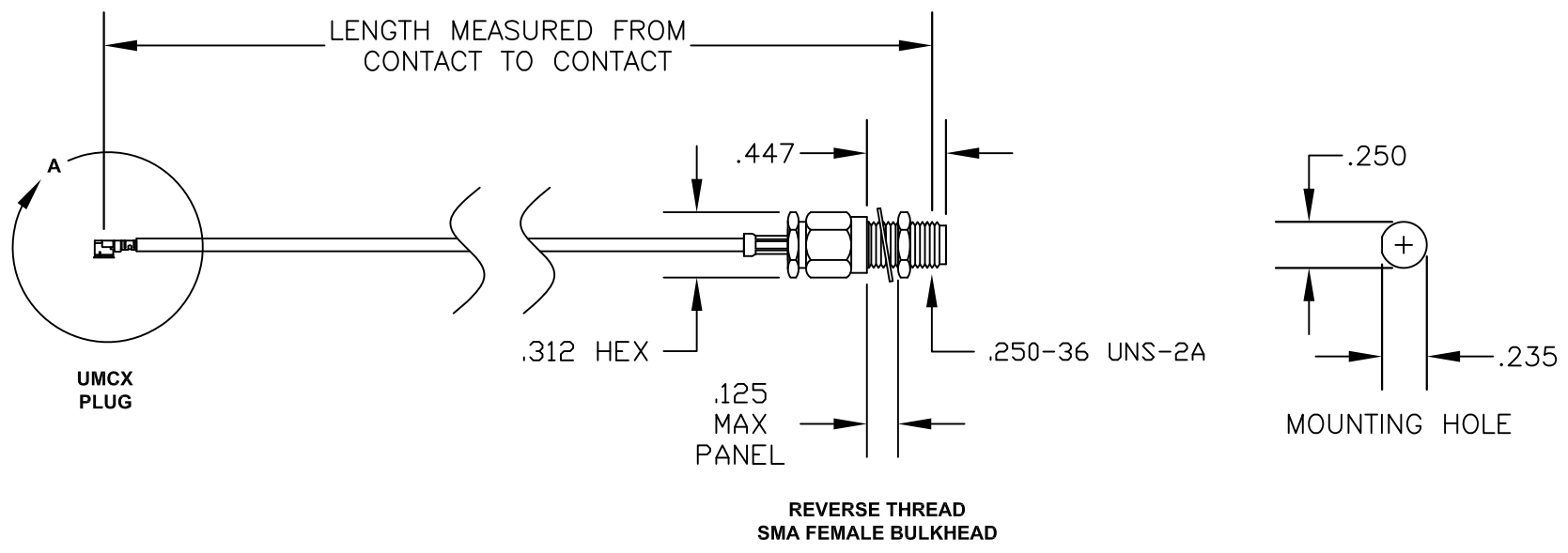



COMPONENTS	IMPEDANCE
UMCX PLUG	50 OHM
REVERSE THREAD SMA FEMALE BULKHEAD	50 OHM
RG178B/U	50 OHM

Standard Lengths	
-3	3"
-6	6"
-9	9"
-12	12"
-18	18"
-24	24"
-XXX	Custom Length in inches
	(24" Max Length)



UMCX connectors are similar to U.FL\*  
 \*U.FL is a Registered Trademark of Hirose Electronic Group



**PASTERNAK ENTERPRISES, INC.**  
 P.O. BOX 16759, IRVINE, CA 92623  
 PHONE (949) 261-1920 FAX (949) 261-7451  
 WEB ADDRESS: [www.pasternack.com](http://www.pasternack.com)  
 E-MAIL ADDRESS: [sales@pasternack.com](mailto:sales@pasternack.com)  
**COAXIAL & FIBER OPTICS**

<b>DWG TITLE</b> <b>PE38301-XX</b>	<b>DES.</b> UMCX PLUG TO REVERSE THREAD SMA FEMALE BULKHEAD, RG178B/U				
<b>REV. -</b>	<b>FSCM NO. 53919</b>	<b>CAD FILE</b> 032008	<b>SCALE</b> N/A	<b>SIZE</b> A	127

**NOTES:**  
 1. UNLESS OTHERWISE SPECIFIED ALL DIMENSIONS ARE NOMINAL.  
 2. ALL SPECIFICATIONS ARE SUBJECT TO CHANGE WITHOUT NOTICE AT ANY TIME.  
 3. DIMENSIONS ARE IN INCHES.  
 4. LENGTH TOLERANCE IS ± 1.5% OR 3/8", WHICHEVER IS GREATER.