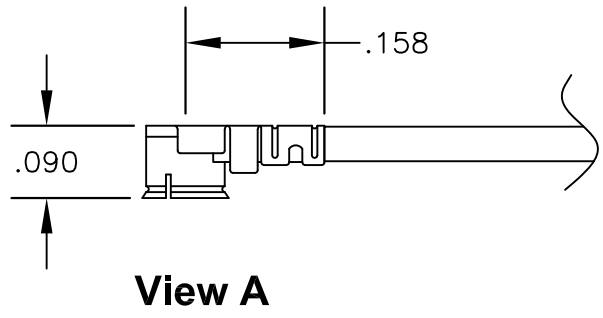
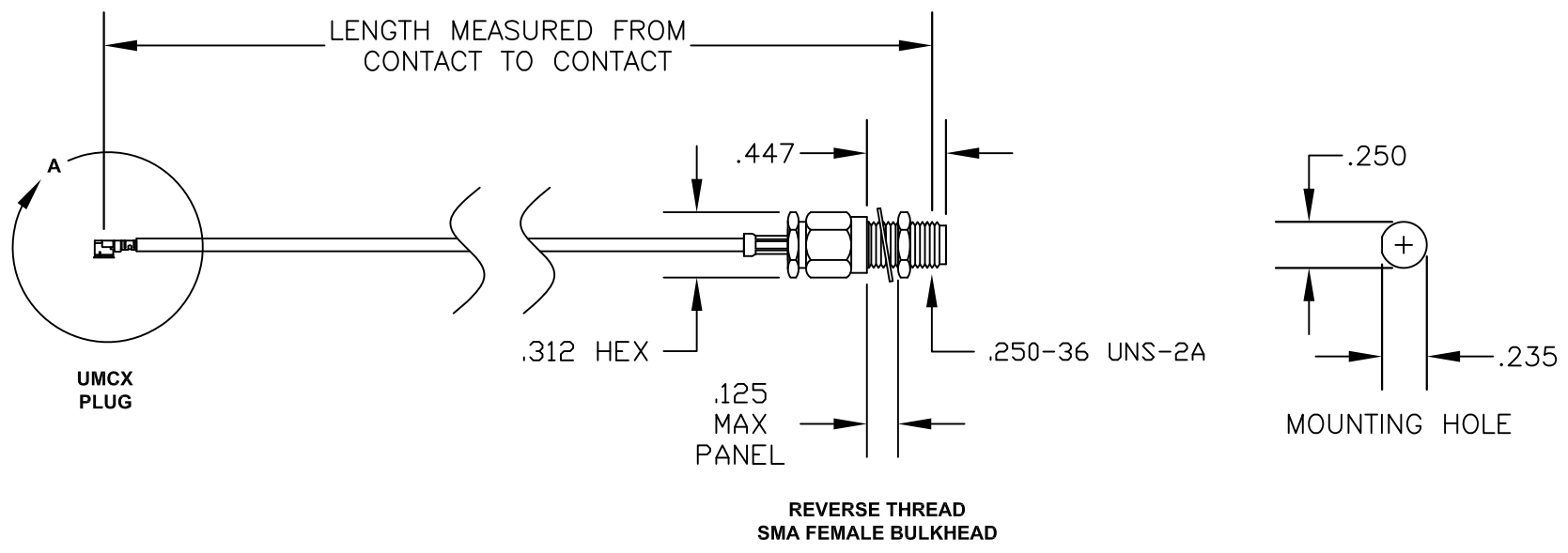



COMPONENTS	IMPEDANCE
UMCX PLUG	50 OHM
REVERSE THREAD SMA FEMALE BULKHEAD	50 OHM
RG178B/U	50 OHM

Standard Lengths	
-3	3"
-6	6"
-9	9"
-12	12"
-18	18"
-24	24"
-XXX	Custom Length in inches
	(24" Max Length)





PASTERNAK ENTERPRISES
ESTABLISHED 1972

PASTERNAK ENTERPRISES, INC.
P.O. BOX 16759, IRVINE, CA 92623
PHONE (949) 261-1920 FAX (949) 261-7451
WEB ADDRESS: www.pasternack.com
E-MAIL ADDRESS: sales@pasternack.com
COAXIAL & FIBER OPTICS

DWG TITLE PE38301-XX	DES. UMCX PLUG TO REVERSE THREAD SMA FEMALE BULKHEAD, RG178B/U				
REV. -	FSCM NO. 53919	CAD FILE 032008	SCALE N/A	SIZE A	127

UMCX connectors are similar to U.FL*
*U.FL is a Registered Trademark of Hirose Electronic Group

- NOTES:**
1. UNLESS OTHERWISE SPECIFIED ALL DIMENSIONS ARE NOMINAL.
 2. ALL SPECIFICATIONS ARE SUBJECT TO CHANGE WITHOUT NOTICE AT ANY TIME.
 3. DIMENSIONS ARE IN INCHES.
 4. LENGTH TOLERANCE IS $\pm 1.5\%$ OR 3/8", WHICHEVER IS GREATER.