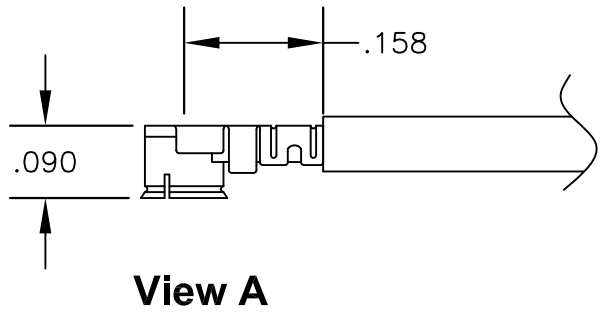
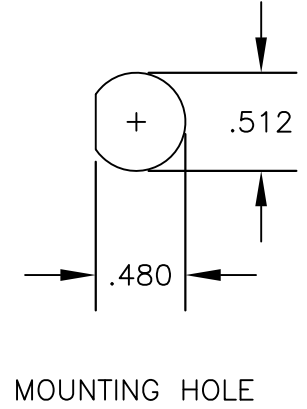
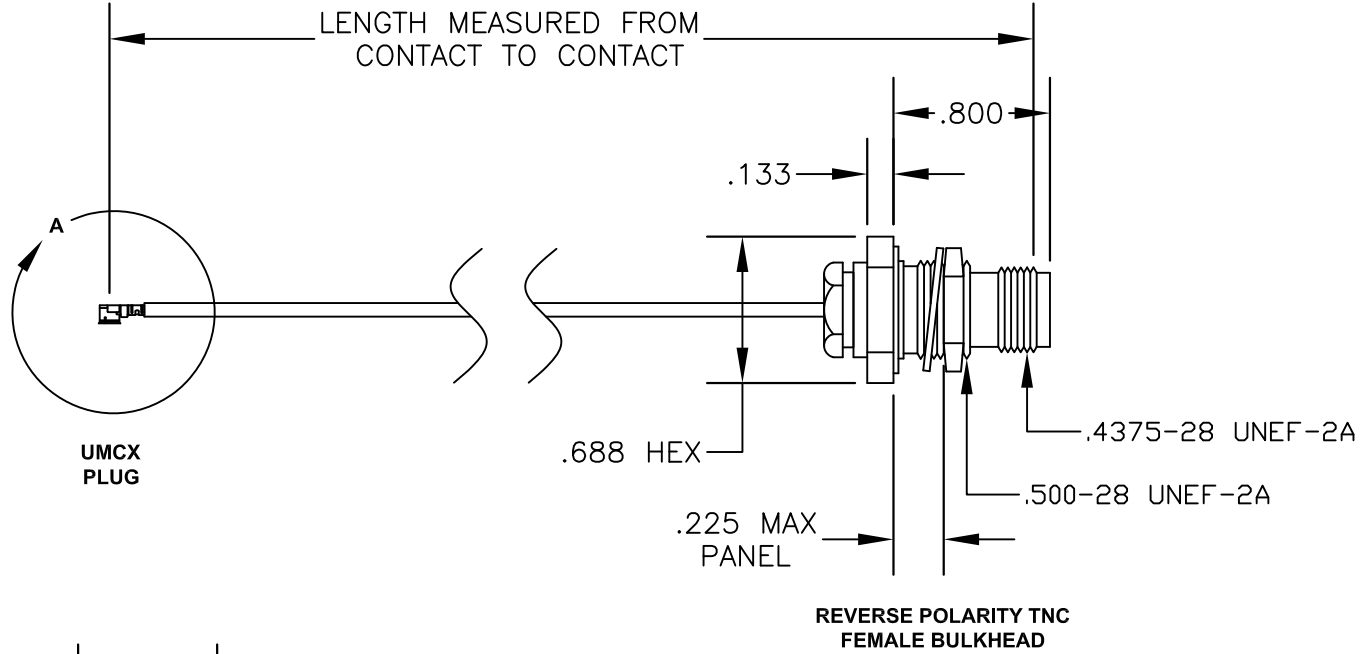



COMPONENTS	IMPEDANCE
UMCX PLUG	50 OHM
REVERSE POLARITY TNC FEMALE BULKHEAD	50 OHM
RG178B/U	50 OHM

Standard Lengths	
-3	3"
-6	6"
-9	9"
-12	12"
-18	18"
-24	24"
-XXX	Custom Length in inches
	(24" Max Length)



UMCX connectors are similar to U.FL*
 *U.FL is a Registered Trademark of Hirose Electronic Group



PASTERNAK ENTERPRISES, INC.
 P.O BOX 16759, IRVINE, CA 92623
 PHONE (949) 261-1920 FAX (949) 261-7451
 WEB ADDRESS: www.pasternack.com
 E-MAIL ADDRESS: sales@pasternack.com
 COAXIAL & FIBER OPTICS

ESTABLISHED 1972

DWG TITLE PE38303-XX	DES. UMCX PLUG TO REVERSE POLARITY TNC FEMALE BULKHEAD, RG178B/U				
REV. A	FSCM NO. 53919	CAD FILE 042210	SCALE N/A	SIZE A	147

NOTES:
 1. UNLESS OTHERWISE SPECIFIED ALL DIMENSIONS ARE NOMINAL.
 2. ALL SPECIFICATIONS ARE SUBJECT TO CHANGE WITHOUT NOTICE AT ANY TIME.
 3. DIMENSIONS ARE IN INCHES.
 4. LENGTH TOLERANCE IS ± 1.5% OR 3/8", WHICHEVER IS GREATER.