



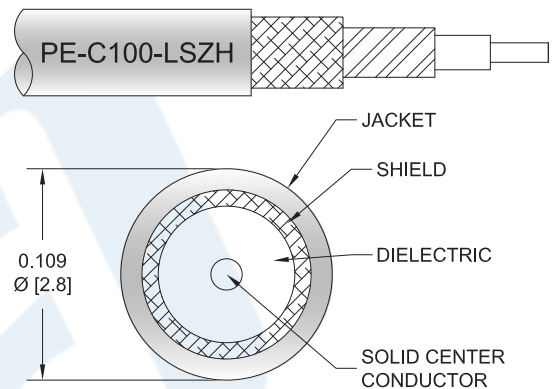
Curry FAKRA Plug to FAKRA Jack Cable 48 Inch Length Using PE-C100-LSZH Coax

RF Cable Assemblies Technical Data Sheet

PE38748K-48

Configuration

- Connector 1: FAKRA Plug
- Connector 2: FAKRA Jack
- Cable Type: PE-C100-LSZH



Electrical Specifications

Description	Minimum	Typical	Maximum	Units
Frequency Range	DC		4	GHz
VSWR			1.4:1	
Velocity of Propagation		66		%
RF Shielding	90			dB
Capacitance		30.8 [101.05]		pF/ft [pF/m]
Inductance		0.077 [0.25]		uH/ft [uH/m]
Jacket Spark			2,000	Vrms

Specifications by Frequency

Description	F1	F2	F3	F4	F5	Units
Frequency	0.1	0.25	0.5	1	4	GHz
VSWR (Max.)	1.4:1	1.4:1	1.4:1	1.4:1	1.4:1	
Return Loss (Max.)	15.56	15.563	15.563	15.563	15.563	dB

Mechanical Specifications

Cable Assembly

Length	48 in [121.92 cm]
Diameter	0.37 in [9.4 mm]
Weight	0.03 lbs [13.61 g]

Click the following link (or enter part number in "SEARCH" on website) to obtain additional part information including price, inventory and certifications: [Curry FAKRA Plug to FAKRA Jack Cable 48 Inch Length Using PE-C100-LSZH Coax PE38748K-48](#)



Curry FAKRA Plug to FAKRA Jack Cable 48 Inch Length Using PE-C100-LSZH Coax

RF Cable Assemblies Technical Data Sheet

PE38748K-48

One Time Minimum Bend Radius	0.25 in [6.35 mm]
Repeated Minimum Bend Radius	1 in [25.4 mm]
Bending Moment	0.1 lbs-ft [0.14 N-m]
Flat Plate Crush	10 lbs/in [0.18 Kg/mm]
Tensile Strength	15 lbs [6.8 Kg]

Cable

Cable Type	PE-C100-LSZH
Impedance	50 Ohms
Inner Conductor Type	Solid
Inner Conductor Material and Plating	Copper Clad Steel
Dielectric Type	PE
Number of Shields	2
Shield Layer 1	Aluminum Tape
Shield Layer 2	Tinned Copper Braid
Jacket Material	LSZH, Black
Jacket Diameter	0.109 in [2.77 mm]

Connectors

Description	Connector 1	Connector 2
Type	FAKRA Plug	FAKRA Jack
Impedance	50 Ohms	50 Ohms
Configuration	Straight	Straight
Contact Material and Plating	Phosphor Bronze, Gold	Phosphor Bronze, Gold
Dielectric Type	Teflon	Teflon
Outer Conductor Material and Plating	Brass, Nickel	Brass, Nickel
Body Material and Plating	Plastic, Paint	Plastic

Compliance Certifications (visit www.Pasternack.com for current document)

For RoHS Compliant version, use PE38748kLF-48. Contact Pasternack if product cannot be found.
 REACH Compliant 12/15/2010

Plotted and Other Data

Notes:

- Values at 25°C, sea level.

Click the following link (or enter part number in "SEARCH" on website) to obtain additional part information including price, inventory and certifications: [Curry FAKRA Plug to FAKRA Jack Cable 48 Inch Length Using PE-C100-LSZH Coax PE38748K-48](#)



Curry FAKRA Plug to FAKRA Jack Cable 48 Inch Length Using PE-C100-LSZH Coax

RF Cable Assemblies Technical Data Sheet

PE38748K-48

How to Order

Part Number Configuration:

PE38748K - xx uu

Unit of Measure:
cm = Centimeters
<blank> = Inches
Length
Base Number

Example: PE38748K-12 = 12 inches long cable
PE38748K-100cm = 100 cm long cable

Curry FAKRA Plug to FAKRA Jack Cable 48 Inch Length Using PE-C100-LSZH Coax from Pasternack Enterprises has same day shipment for domestic and International orders. Our RF, microwave and millimeter wave products maintain a 99% availability and are part of the broadest selection in the industry.

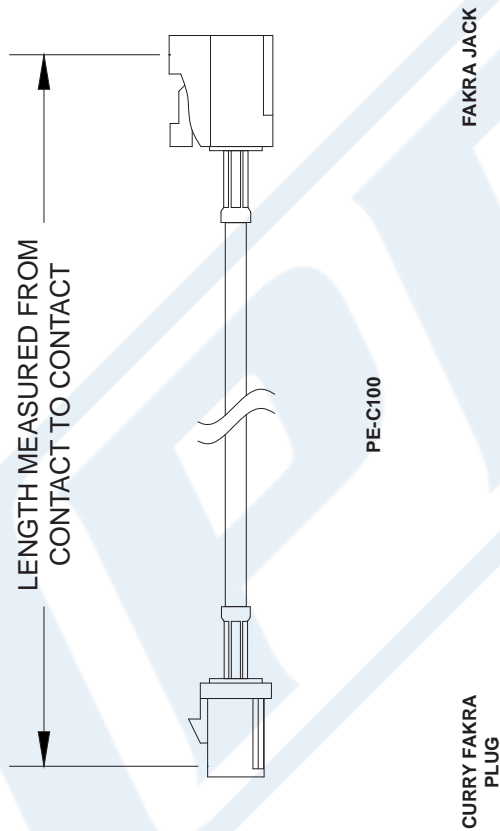
Click the following link (or enter part number in "SEARCH" on website) to obtain additional part information including price, inventory and certifications: [Curry FAKRA Plug to FAKRA Jack Cable 48 Inch Length Using PE-C100-LSZH Coax PE38748K-48](http://www.pasternack.com/fakra-plug-fakra-jack-pe-c100-cable-assembly-pe38748k-48-p.aspx)

URL: <http://www.pasternack.com/fakra-plug-fakra-jack-pe-c100-cable-assembly-pe38748k-48-p.aspx>

The information contained in this document is accurate to the best of our knowledge and representative of the part described herein. It may be necessary to make modifications to the part and/or the documentation of the part, in order to implement improvements. Pasternack reserves the right to make such changes as required. Unless otherwise stated, all specifications are nominal. Pasternack does not make any representation or warranty regarding the suitability of the part described herein for any particular purpose, and Pasternack does not assume any liability arising out of the use of any part or documentation.

PE38748K-48 CAD Drawing

Curry FAKRA Plug to FAKRA Jack Cable 48 Inch Length Using PE-C100-Coax



How To Order		Part # Ext.	Length In Inches	Part # Ext.	Length In Centimeters
Part Number Configuration PE3 [zzz] [yy] - [xx] [uu] 00 - 99999 LF = RoHS Compliant < Blank > = Standard Note: LF applies only to RF cables		-12	12"	-25CM	25Cm
Examples PE3000LF-100 PE3000-100 PE3000LF-100CM PE3000-100CM CM = Centimeters < Blank > = Inches _____ Length		-24	24"	-50CM	50Cm
		-36	36"	-75CM	75Cm
		-48	48"	-100CM	100Cm
		-60	60"	-125CM	125Cm
		-xx	Custom Length	-xxCM	Custom Length

NOTES:
 1. UNLESS OTHERWISE SPECIFIED ALL DIMENSIONS ARE NOMINAL.
 2. ALL SPECIFICATIONS ARE SUBJECT TO CHANGE WITHOUT NOTICE AT ANY TIME.
 3. DIMENSIONS ARE IN INCHES [mm].
 4. LENGTH TOLERANCE IS ± 1.5% OR 3/8", WHICHEVER IS GREATER.

DWG TITLE
PE38748K

PASTERNAK®
 Pasternack Enterprises, Inc.
 P.O. Box 16759 | Irvine | CA | 92623
Phone: (949) 261-1920 | **Fax:** (949) 261-7451
Website: www.pasternack.com | **E-Mail:** sales@pasternack.com

FSCM NO. 53919 CAD FILE 41613 SCALE N/A SIZE A