



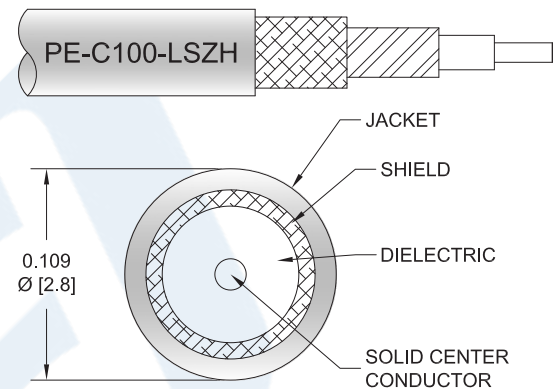
Violet FAKRA Plug to FAKRA Jack Right Angle
Cable Using PE-C100-LSZH Coax

RF Cable Assemblies Technical Data Sheet

PE38749H

Configuration

- Connector 1: FAKRA Plug
- Connector 2: FAKRA Jack Right Angle
- Cable Type: PE-C100-LSZH



Electrical Specifications

Description	Minimum	Typical	Maximum	Units
Velocity of Propagation		66		%
RF Shielding	90			dB
Capacitance		30.8 [101.05]		pF/ft [pF/m]
Inductance		0.077 [0.25]		uH/ft [uH/m]
Jacket Spark			2,000	Vrms

dB/m
dB/m

Mechanical Specifications

Cable Assembly

Diameter 0.37 in [9.4 mm]
Weight 0.04 lbs [18.14 g]

Cable

Cable Type PE-C100-LSZH
Impedance 50 Ohms
Inner Conductor Type Solid
Inner Conductor Material and Plating Copper Clad Steel
Dielectric Type PE
Number of Shields 2
Shield Layer 1 Aluminum Tape
Shield Layer 2 Tinned Copper Braid

Click the following link (or enter part number in "SEARCH" on website) to obtain additional part information including price, inventory and certifications: [Violet FAKRA Plug to FAKRA Jack Right Angle Cable Using PE-C100-LSZH Coax PE38749H](#)



Violet FAKRA Plug to FAKRA Jack Right Angle
Cable Using PE-C100-LSZH Coax

RF Cable Assemblies Technical Data Sheet

PE38749H

Jacket Material	LSZH, Black
Jacket Diameter	0.109 in [2.77 mm]
One Time Minimum Bend Radius	0.25 in [6.35 mm]
Repeated Minimum Bend Radius	1 in [25.4 mm]
Bending Moment	0.1 lbs-ft [0.14 N-m]
Flat Plate Crush	10 lbs/in [0.18 Kg/mm]
Tensile Strength	15 lbs [6.8 Kg]

Connectors

Description	Connector 1	Connector 2
Type	FAKRA Plug	FAKRA Jack Right Angle
Impedance	50 Ohms	50 Ohms
Configuration	Straight	Right Angle
Contact Material and Plating	Phosphor Bronze, Gold	Phosphor Bronze, Gold
Dielectric Type	Teflon	Teflon/Delrin
Outer Conductor Material and Plating	Brass, Nickel	Brass, Nickel
Body Material and Plating	Plastic	Plastic

Mechanical Specification Notes:

*All cable assemblies have a length tolerance of 1.5% or $\pm 3/8$ ", whichever is greater.

Compliance Certifications (see [product page](#) for current document)

Plotted and Other Data

Notes:

- Values at 25°C, sea level.

Click the following link (or enter part number in "SEARCH" on website) to obtain additional part information including price, inventory and certifications: [Violet FAKRA Plug to FAKRA Jack Right Angle Cable Using PE-C100-LSZH Coax PE38749H](#)



Violet FAKRA Plug to FAKRA Jack Right Angle
Cable Using PE-C100-LSZH Coax

RF Cable Assemblies Technical Data Sheet

PE38749H

How to Order

Part Number Configuration:

PE38749H

- **xx**

uu

Unit of Measure:

cm = Centimeters

<blank> = Inches

Length

Base Number

Example: PE38749H-12 = 12 inches long cable
PE38749H-100cm = 100 cm long cable

Violet FAKRA Plug to FAKRA Jack Right Angle Cable Using PE-C100-LSZH Coax from Pasternack Enterprises has same day shipment for domestic and International orders. Our RF, microwave and millimeter wave products maintain a 99.4% availability and are part of the broadest selection in the industry.

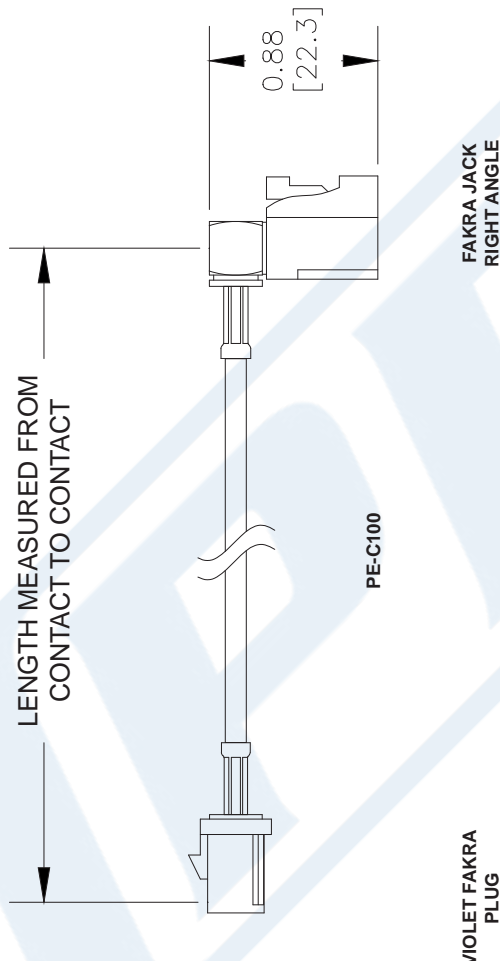
Click the following link (or enter part number in "SEARCH" on website) to obtain additional part information including price, inventory and certifications: [Violet FAKRA Plug to FAKRA Jack Right Angle Cable Using PE-C100-LSZH Coax PE38749H](https://www.pasternack.com/fakra-plug-fakra-jack-pe-c100-cable-assembly-pe38749h-p.aspx)

URL: <https://www.pasternack.com/fakra-plug-fakra-jack-pe-c100-cable-assembly-pe38749h-p.aspx>

The information contained in this document is accurate to the best of our knowledge and representative of the part described herein. It may be necessary to make modifications to the part and/or the documentation of the part, in order to implement improvements. Pasternack reserves the right to make such changes as required. Unless otherwise stated, all specifications are nominal. Pasternack does not make any representation or warranty regarding the suitability of the part described herein for any particular purpose, and Pasternack does not assume any liability arising out of the use of any part or documentation.

PE38749H CAD Drawing

Violet FAKRA Plug to FAKRA Jack Right Angle Cable Using PE-C100 Coax



How To Order		Part # Ext.	Length In Inches	Part # Ext.	Length In Centimeters
Part Number Configuration PE3 [zzz] [yy] - [xx] [uu] 00 - 99999 LF = RoHS Compliant < Blank > = Standard Note: LF applies only to RF cables		-12	12"	-25CM	25Cm
Examples PE3000LF-100 PE3000-100 PE3000LF-100CM PE3000-100CM CM = Centimeters < Blank > = Inches _____ Length		-24	24"	-50CM	50Cm
		-36	36"	-75CM	75Cm
		-48	48"	-100CM	100Cm
		-60	60"	-125CM	125Cm
		-xx	Custom Length	-xxCM	Custom Length

NOTES:
 1. UNLESS OTHERWISE SPECIFIED ALL DIMENSIONS ARE NOMINAL.
 2. ALL SPECIFICATIONS ARE SUBJECT TO CHANGE WITHOUT NOTICE AT ANY TIME.
 3. DIMENSIONS ARE IN INCHES [mm].
 4. LENGTH TOLERANCE IS ± 1.5% OR 3/8", WHICHEVER IS GREATER.

DWG TITLE
PE38749H

PE PASTERNAK®
 Pasternack Enterprises, Inc.
 P.O. Box 16759 | Irvine | CA | 92623
 Phone: (949) 261-1920 | Fax: (949) 261-7451
 Website: www.pasternack.com | E-Mail: sales@pasternack.com

FSCM NO. 53919	CAD FILE 41613	SCALE N/A	SIZE A
----------------	----------------	-----------	--------