



3/4 inch-20 Twinax Male to 3/4 inch-20 Twinax Male Cable  
900 Inch Length Using 100 Ohm PE-S330 Coax

TECHNICAL DATA SHEET PE3930-900

**Configuration**

Connector 1	3/4"-20 Twinax Male
Connector 2	3/4"-20 Twinax Male
Cable Type	PE-S330

**Electrical Specifications**

Frequency Range	DC to 400 MHz
Impedance	95 Ohms

**Performance by Frequency**

**Frequency 1**

Frequency	50 MHz
Insertion Loss	0.3 dB

**Frequency 2**

Frequency	100 MHz
Insertion Loss	0.43 dB

**Frequency 3**

Frequency	200 MHz
Insertion Loss	0.66 dB

**Frequency 4**

Frequency	400 MHz
Insertion Loss	0.102 dB

**Mechanical Specifications**

**Size**

Length	900 in [22.86 m]
Diameter	0.866 in [22 mm]
Weight	0.373 lbs [169.19 g]
Cable Color	Black

**Cable**

Cable Type	PE-S330
Inner Conductor Type	Stranded
Cable Inner Conductor	Copper, Tin
No of Shields	2
Dielectric Type	PE
Jacket Material	PVC
Jacket Diameter	0.33 in [8.38 mm]

**Connector 1**

Type	3/4"-20 Twinax Male
Configuration	Straight

Click the following link (or enter part number in "SEARCH" on website) to obtain additional part information including price, inventory and certifications: [3/4 inch-20 Twinax Male to 3/4 inch-20 Twinax Male Cable 900 Inch Length Using 100 Ohm PE-S330 Coax PE3930-900](#)



3/4 inch-20 Twinax Male to 3/4 inch-20 Twinax Male Cable  
900 Inch Length Using 100 Ohm PE-S330 Coax

TECHNICAL DATA SHEET

PE3930-900

Inner Conductor Material and Plating	Brass, Gold
Inner Conductor Plating Specification	30μ in. minimum
Body Material and Plating	Brass, Nickel
Body Plating Specification	100μ in. minimum
Dielectric Type	PBT

**Connector 2**

Type	3/4"-20 Twinax Male
Configuration	Straight
Inner Conductor Material and Plating	Brass, Gold
Inner Conductor Plating Specification	30μ in. minimum
Body Material and Plating	Brass, Nickel
Body Plating Specification	100μ in. minimum
Dielectric Type	PBT

**Compliance Certifications** (visit [www.Pasternack.com](http://www.Pasternack.com) for current document)  
For RoHS Compliant version, use PE3930LF-900. Contact Pasternack if product cannot be found.

**Plotted and Other Data**

Notes:

- Values at +25 °C, sea level

Click the following link (or enter part number in "SEARCH" on website) to obtain additional part information including price, inventory and certifications: [3/4 inch-20 Twinax Male to 3/4 inch-20 Twinax Male Cable 900 Inch Length Using 100 Ohm PE-S330 Coax PE3930-900](#)



3/4 inch-20 Twinax Male to 3/4 inch-20 Twinax Male Cable  
900 Inch Length Using 100 Ohm PE-S330 Coax

TECHNICAL DATA SHEET PE3930-900

**How to Order**

Part Number Configuration:

**PE3930 - xx uu**

Unit of Measure:  
cm = Centimeters  
<blank> = Inches  
Length  
Base Number

Example: PE3930-12 = 12 inches long cable  
PE3930-100cm = 100 cm long cable

3/4 inch-20 Twinax Male to 3/4 inch-20 Twinax Male Cable 900 Inch Length Using 100 Ohm PE-S330 Coax from Pasternack Enterprises has same day shipment for domestic and International orders. Our RF, microwave and millimeter wave products maintain a 99% availability and are part of the broadest selection in the industry.

Click the following link (or enter part number in "SEARCH" on website) to obtain additional part information including price, inventory and certifications: [3/4 inch-20 Twinax Male to 3/4 inch-20 Twinax Male Cable 900 Inch Length Using 100 Ohm PE-S330 Coax PE3930-900](http://www.pasternack.com/3-4-20-male-3-4-20-male-pe-s330-cable-pe3930-900-p.aspx)

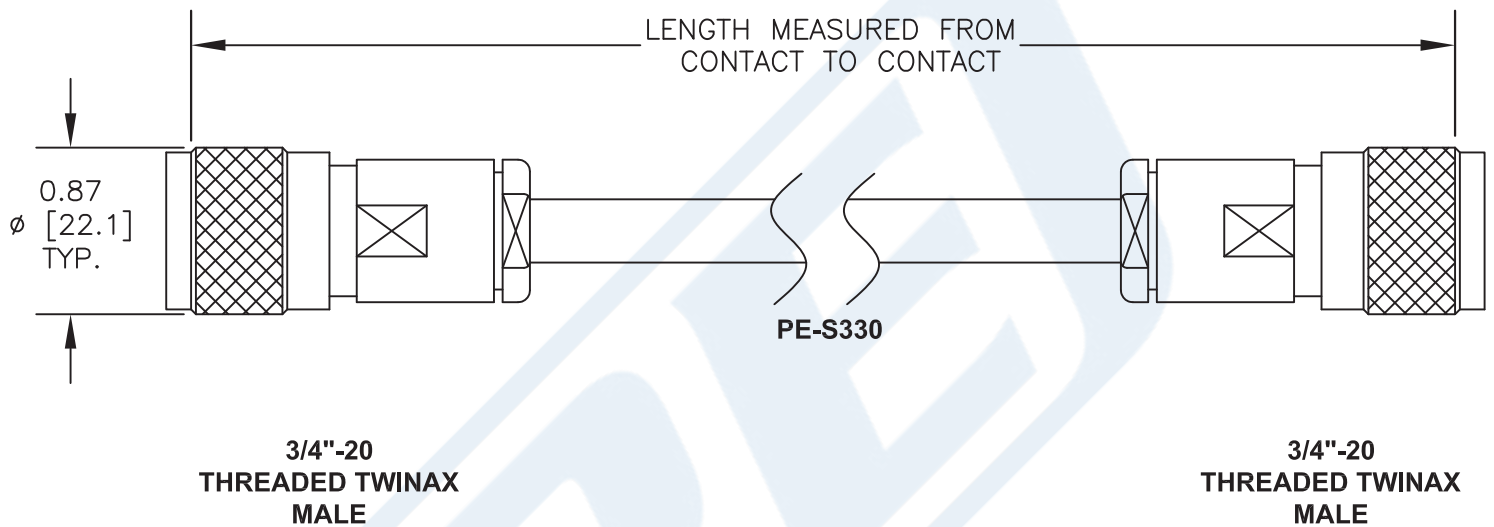
URL: <http://www.pasternack.com/3-4-20-male-3-4-20-male-pe-s330-cable-pe3930-900-p.aspx>

The information contained in this document is accurate to the best of our knowledge and representative of the part described herein. It may be necessary to make modifications to the part and/or the documentation of the part, in order to implement improvements. Pasternack reserves the right to make such changes as required. Unless otherwise stated, all specifications are nominal. Pasternack does not make any representation or warranty regarding the suitability of the part described herein for any particular purpose, and Pasternack does not assume any liability arising out of the use of any part or documentation.

# PE3930-900 CAD Drawing

3/4 inch-20 Twinax Male to 3/4 inch-20 Twinax Male Cable

900 Inch Length Using 100 Ohm PE-S330 Coax



Pasternack Enterprises, Inc.  
P.O. Box 16759 | Irvine | CA | 92623

Phone: (949) 261-1920 | Fax: (949) 261-7451

Website: www.pasternack.com | E-Mail: sales@pasternack.com

**NOTES:**

1. UNLESS OTHERWISE SPECIFIED ALL DIMENSIONS ARE NOMINAL.
2. ALL SPECIFICATIONS ARE SUBJECT TO CHANGE WITHOUT NOTICE AT ANY TIME.
3. DIMENSIONS ARE IN INCHES [mm].
4. LENGTH TOLERANCE IS  $\pm 1.5\%$  OR  $3/8"$ , WHICHEVER IS GREATER.

DWG TITLE

**PE3930**

FSCM NO. 53919

CAD FILE 032515

SCALE N/A

SIZE A

2233