



SMA Female Bulkhead to MMCX Plug Right Angle Semi-Flexible Precision Cable 9 Inch Length Using PE-SR405FL Coax, RoHS

RF Cable Assemblies Technical Data Sheet

PE39422-9

Configuration

- Connector 1: SMA Female Bulkhead
- Connector 2: MMCX Plug Right Angle
- Cable Type: PE-SR405FL

Features

- Max Frequency 6 GHz
- 69.5% Phase Velocity
- Dimensionally and electrically the same as standard, solid outer conductor semi-rigid coax
- Cable may be formed by hand and does not require special tools to bend
- May be formed more than once without damaging the outer conductor
- High RF Shielding >100 dB
- 100% Hi-pot and continuity tested
- 100% VSWR tested to max frequency of assembly
- Standard and custom lengths ship the same day

Applications

- General Purpose
- Laboratory Use

Description

Pasternack's PE39422-9 SMA female bulkhead to MMCX plug right angle 9 inch cable using PE-SR405FL coax is part of our full line of RF components available for same-day shipping. Pasternack's formable RF cable assemblies provide an alternative to costly pre-formed semi-rigid assemblies since they are hand formable. This Pasternack SMA to MMCX cable assembly has a female to plug gender configuration with 50 ohm formable PE-SR405FL coax. The PE39422-9 SMA female to MMCX plug cable assembly operates to 6 GHz. The right angle MMCX interface on the PE-SR405FL cable allows for easier connections in tight spaces. Our RF cable assembly with SMA bulkhead interface allows designers to create external connections on their product enclosures, and can be used in a variety of other rack mount and panel mount applications. Pasternack's formable cable assemblies are hand formable semi-rigid replacements that are an alternative to costly preformed assemblies. The formable semi-rigid cable alternatives are dimensionally and electrically similar to their semi-rigid counterpart and have a tinned-copper-braid outer shield that provides excellent RF shielding. The hand formable cable assemblies from Pasternack do not require special tooling to shape or reshape the assemblies and can replace standard semi-rigid versions. The assemblies are available with or without a FEP jacket and are RoHS compliant,

Custom versions of most RF cable assemblies can be built and shipped same day. Custom cable assembly lengths can be obtained by specifying the desired length on the web site at time of order or by contacting a sales representative. Other

Click the following link (or enter part number in "SEARCH" on website) to obtain additional part information including price, inventory and certifications: [SMA Female Bulkhead to MMCX Plug Right Angle Semi-Flexible Precision Cable 9 Inch Length Using PE-SR405FL Coax, RoHS PE39422-9](#)



SMA Female Bulkhead to MMCX Plug Right Angle Semi-Flexible Precision Cable 9 Inch Length Using PE-SR405FL Coax, RoHS

RF Cable Assemblies Technical Data Sheet

PE39422-9

available RF cable assembly value added services include connector orientation or clocking, heat shrink booting and custom labeling. RF testing can also be performed to document the electrical performance of your cable assembly.

Electrical Specifications

Description	Minimum	Typical	Maximum	Units
Frequency Range	DC		6	GHz
VSWR			1.35:1	
Velocity of Propagation		69.5		%
Capacitance		29 [95.14]		pF/ft [pF/m]

Specifications by Frequency

Description	F1	F2	F3	F4	F5	Units
Frequency	0.25	0.5	1	2.5	6	GHz
Insertion Loss (Typ.)	0.242	0.284	0.369	0.46	0.651	dB

Mechanical Specifications

Cable Assembly

Weight 0.019 lbs [8.62 g]

Cable

Cable Type PE-SR405FL
 Impedance 50 Ohms
 Inner Conductor Type Solid
 Inner Conductor Material and Plating Copper Clad Steel, Silver
 Dielectric Type PTFE
 Number of Shields 1
 Shield Layer 1 Tinned Copper Braid

Click the following link (or enter part number in "SEARCH" on website) to obtain additional part information including price, inventory and certifications: [SMA Female Bulkhead to MMCX Plug Right Angle Semi-Flexible Precision Cable 9 Inch Length Using PE-SR405FL Coax, RoHS PE39422-9](#)



SMA Female Bulkhead to MMCX Plug Right Angle Semi-Flexible Precision Cable 9 Inch Length Using PE-SR405FL Coax, RoHS

RF Cable Assemblies Technical Data Sheet

PE39422-9

Connectors

Description	Connector 1	Connector 2
Type	SMA Female Bulkhead	MMCX Plug Right Angle
Impedance	50 Ohms	50 Ohms
Contact Material and Plating	Beryllium Copper, Gold	Phosphor Bronze, Gold
Dielectric Type	PTFE	PTFE
Body Material and Plating	Brass, Gold	Brass, Gold

Compliance Certifications (see [product page](#) for current document)

Plotted and Other Data

Notes:

- Values at 25°C, sea level.

Click the following link (or enter part number in "SEARCH" on website) to obtain additional part information including price, inventory and certifications: [SMA Female Bulkhead to MMCX Plug Right Angle Semi-Flexible Precision Cable 9 Inch Length Using PE-SR405FL Coax, RoHS PE39422-9](#)



SMA Female Bulkhead to MMCX Plug Right Angle Semi-Flexible Precision Cable 9 Inch Length Using PE-SR405FL Coax, RoHS

RF Cable Assemblies Technical Data Sheet

PE39422-9

How to Order

Part Number Configuration:

PE39422

- **xx**

uu

Unit of Measure:
cm = Centimeters
<blank> = Inches
Length
Base Number

Example: PE39422-12 = 12 inches long cable
PE39422-100cm = 100 cm long cable

SMA Female Bulkhead to MMCX Plug Right Angle Semi-Flexible Precision Cable 9 Inch Length Using PE-SR405FL Coax, RoHS from Pasternack Enterprises has same day shipment for domestic and International orders. Our RF, microwave and millimeter wave products maintain a 99.4% availability and are part of the broadest selection in the industry.

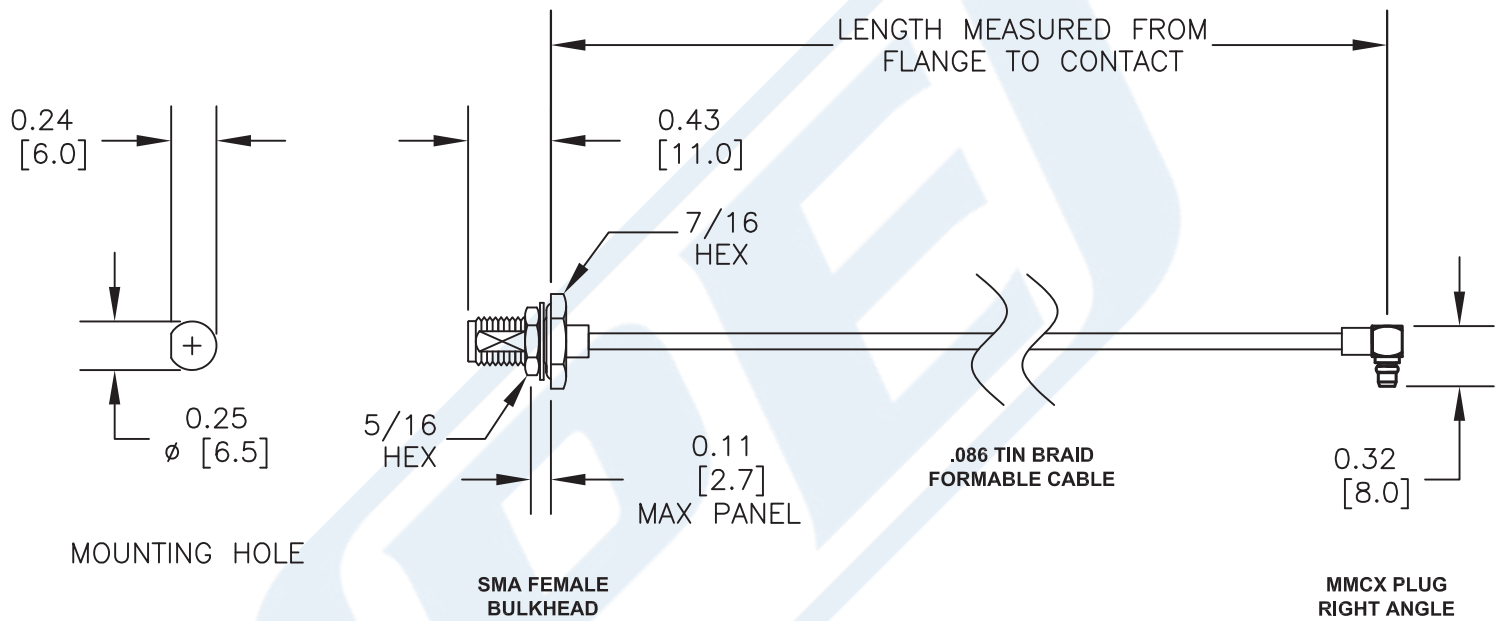
Click the following link (or enter part number in "SEARCH" on website) to obtain additional part information including price, inventory and certifications: [SMA Female Bulkhead to MMCX Plug Right Angle Semi-Flexible Precision Cable 9 Inch Length Using PE-SR405FL Coax, RoHS PE39422-9](https://www.pasternack.com/sma-female-mmcx-plug-pe-sr405fl-cable-assembly-pe39422-9-p.aspx)

URL: <https://www.pasternack.com/sma-female-mmcx-plug-pe-sr405fl-cable-assembly-pe39422-9-p.aspx>

The information contained in this document is accurate to the best of our knowledge and representative of the part described herein. It may be necessary to make modifications to the part and/or the documentation of the part, in order to implement improvements. Pasternack reserves the right to make such changes as required. Unless otherwise stated, all specifications are nominal. Pasternack does not make any representation or warranty regarding the suitability of the part described herein for any particular purpose, and Pasternack does not assume any liability arising out of the use of any part or documentation.

PE39422-9 CAD Drawing

SMA Female Bulkhead to MMCX Plug Right Angle Semi-Flexible Precision Cable 9 Inch Length Using PE-SR405FL Coax, RoHS



Note: This part is lead free.



Pasternack Enterprises, Inc.
P.O. Box 16759 | Irvine | CA | 92623

Phone: (949) 261-1920 | Fax: (949) 261-7451

Website: www.pasternack.com | E-Mail: sales@pasternack.com

NOTES:

1. UNLESS OTHERWISE SPECIFIED ALL DIMENSIONS ARE NOMINAL.
2. ALL SPECIFICATIONS ARE SUBJECT TO CHANGE WITHOUT NOTICE AT ANY TIME.
3. DIMENSIONS ARE IN INCHES [mm].
4. LENGTH TOLERANCE IS $\pm 1.5\%$ OR $3/8"$, WHICHEVER IS GREATER.

DWG TITLE

PE39422

FSCM NO. 53919

CAD FILE

XXXX15

SCALE N/A

SIZE A

XXXX