



SMA Female Bulkhead to MCX Plug Right Angle Semi-Flexible Precision Cable 9 Inch Length Using PE-SR405FLJ Coax, RoHS

TECHNICAL DATA SHEET PE39435-9

Pasternack's formable cable assemblies are hand formable semi-rigid replacements that are an alternative to costly preformed assemblies. The formable semi-rigid cable alternatives are dimensionally and electrically similar to their semi-rigid counterpart and have a tinned-copper-braid outer shield that provides excellent RF shielding. The hand formable cable assemblies from Pasternack do not require special tooling to shape or reshape the assemblies and can replace standard semi-rigid versions. The assemblies are available with or without a FEP jacket and are RoHS compliant,

Features

- Dimensionally and electrically the same as standard, solid outer conductor semi-rigid coax
- Cable may be formed by hand and does not require special tools to bend
- May be formed more than once without damaging the outer conductor
- High RF Shielding >100 dB
- 100% Hi-pot and continuity tested
- 100% VSWR tested to max frequency of assembly
- Standard and custom lengths ship the same day

Configuration

Connector 1	SMA Female Bulkhead
Connector 2	MCX Plug Right Angle
Cable Type	PE-SR405FLJ

Electrical Specifications

Frequency Range	DC to 6 GHz
Impedance	50 Ohms
Velocity of Propagation	69.5 %
Group Delay	1.43 ns/ft [4.69 ns/m]
RF Shielding	100 dB

Performance by Frequency

Frequency 1	
Frequency	250 MHz
Insertion Loss	0.251 dB
Frequency 2	
Frequency	500 MHz
Insertion Loss	0.303 dB
Frequency 3	
Frequency	1000 MHz
Insertion Loss	0.346 dB
Frequency 4	
Frequency	2.5 GHz
Insertion Loss	0.421 dB
Frequency 5	
Frequency	6 GHz

Click the following link (or enter part number in "SEARCH" on website) to obtain additional part information including price, inventory and certifications: [SMA Female Bulkhead to MCX Plug Right Angle Semi-Flexible Precision Cable 9 Inch Length Using PE-SR405FLJ Coax, RoHS PE39435-9](#)



SMA Female Bulkhead to MCX Plug Right Angle Semi-Flexible Precision Cable 9 Inch Length Using PE-SR405FLJ Coax, RoHS

TECHNICAL DATA SHEET PE39435-9

Insertion Loss 0.578 dB

Mechanical Specifications

Size

Length 9 in [228.6 mm]
 Cable Color Black
 One Time Minimum Bend Radius 0.236 in [5.99 mm]
 Repeated Minimum Bend Radius 0.787 in [19.99 mm]

Cable

Cable Type PE-SR405FLJ
 Inner Conductor Type Solid
 Cable Inner Conductor Copper Clad Steel, Silver
 No of Shields 1
 Dielectric Type PTFE
 Jacket Material FEP
 Jacket Diameter 0.098 in [2.49 mm]

Connector 1

Type SMA Female Bulkhead
 Configuration Straight
 Mount Method Bulkhead
 Inner Conductor Material and Plating Beryllium Copper, Gold
 Body Material and Plating Brass, Gold
 Dielectric Type PTFE

Connector 2

Type MCX Plug Right Angle
 Configuration Right Angle
 Inner Conductor Material and Plating Brass, Gold
 Body Material and Plating Brass, Gold
 Dielectric Type PTFE

Compliance Certifications (visit www.Pasternack.com for current document)

RoHS Compliant Yes
 REACH Compliant 06/18/2012

Plotted and Other Data

Notes:
 • Values at +25 °C, sea level

Click the following link (or enter part number in "SEARCH" on website) to obtain additional part information including price, inventory and certifications: [SMA Female Bulkhead to MCX Plug Right Angle Semi-Flexible Precision Cable 9 Inch Length Using PE-SR405FLJ Coax, RoHS PE39435-9](#)



SMA Female Bulkhead to MCX Plug Right Angle Semi-Flexible Precision Cable 9 Inch Length Using PE-SR405FLJ Coax, RoHS

TECHNICAL DATA SHEET PE39435-9

How to Order

Part Number Configuration:

PE39435-9

- **xx**

uu

Unit of Measure:
cm = Centimeters
<blank> = Inches
Length
Base Number

Example: PE39435-9-12 = 12 inches long cable
PE39435-9-100cm = 100 cm long cable

SMA Female Bulkhead to MCX Plug Right Angle Semi-Flexible Precision Cable 9 Inch Length Using PE-SR405FLJ Coax, RoHS from Pasternack Enterprises has same day shipment for domestic and International orders. Our RF, microwave and millimeter wave products maintain a 99% availability and are part of the broadest selection in the industry.

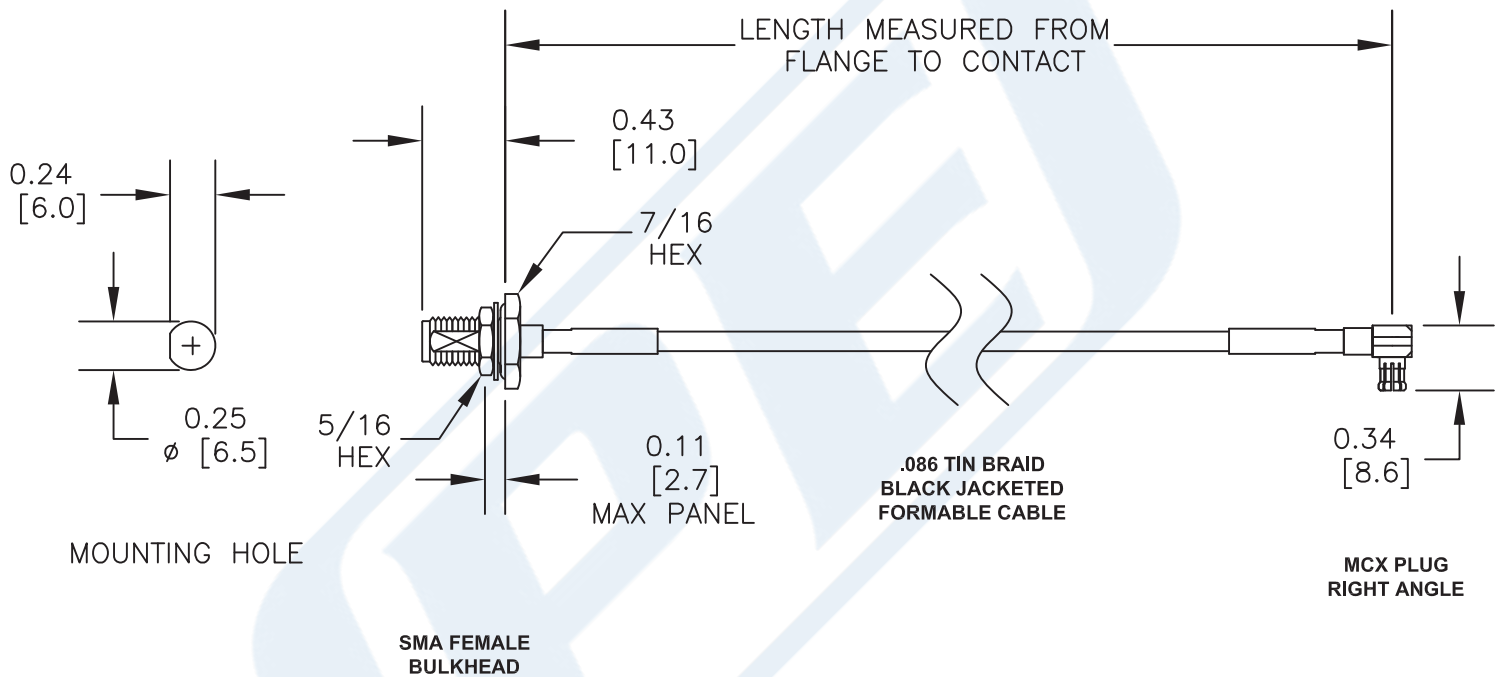
Click the following link (or enter part number in "SEARCH" on website) to obtain additional part information including price, inventory and certifications: [SMA Female Bulkhead to MCX Plug Right Angle Semi-Flexible Precision Cable 9 Inch Length Using PE-SR405FLJ Coax, RoHS PE39435-9](#)

URL: <http://www.pasternack.com/sma-female-mcx-plug-pe-sr405flj-cable-assembly-pe39435-9-p.aspx>

The information contained in this document is accurate to the best of our knowledge and representative of the part described herein. It may be necessary to make modifications to the part and/or the documentation of the part, in order to implement improvements. Pasternack reserves the right to make such changes as required. Unless otherwise stated, all specifications are nominal. Pasternack does not make any representation or warranty regarding the suitability of the part described herein for any particular purpose, and Pasternack does not assume any liability arising out of the use of any part or documentation.

PE39435-9 CAD Drawing

SMA Female Bulkhead to MCX Plug Right Angle Semi-Flexible Precision
Cable 9 Inch Length Using PE-SR405FLJ Coax, RoHS



Note: This part is lead free.



Pasternack Enterprises, Inc.
P.O. Box 16759 | Irvine | CA | 92623

Phone: (949) 261-1920 | Fax: (949) 261-7451

Website: www.pasternack.com | E-Mail: sales@pasternack.com

NOTES:

1. UNLESS OTHERWISE SPECIFIED ALL DIMENSIONS ARE NOMINAL.
2. ALL SPECIFICATIONS ARE SUBJECT TO CHANGE WITHOUT NOTICE AT ANY TIME.
3. DIMENSIONS ARE IN INCHES [mm].
4. LENGTH TOLERANCE IS $\pm 1.5\%$ OR $3/8"$, WHICHEVER IS GREATER.

DWG TITLE

PE39435

FSCM NO. 53919

CAD FILE

012015

SCALE N/A

SIZE A

2233