



N Male to N Female Bulkhead Cable 12 Inch Length Using PE-SR401AL Coax

RF Cable Assemblies Technical Data Sheet

PE3993-12

Configuration

- Connector 1: N Male
- Connector 2: N Female Bulkhead
- Cable Type: PE-SR401AL-STRAIGHT

Features

- Max Frequency 11 GHz
- 69.5% Phase Velocity

Applications

- General Purpose
- Laboratory Use

Description

Pasternack's PE3993-12 type N male to type N female bulkhead 12 inch cable using PE-SR401AL coax is part of our full line of RF components available for same-day shipping. Pasternack's semi-rigid RF cable assemblies are ideal for high performance applications and can be formed, using proper tooling, to the routing pattern required. This Pasternack type N to type N cable assembly has a male to female gender configuration with 50 ohm semi-rigid PE-SR401AL-STRAIGHT coax. The PE3993-12 type N male to type N female cable assembly operates to 11 GHz. Our RF cable assembly with type N bulkhead interface allows designers to create external connections on their product enclosures, and can be used in a variety of other rack mount and panel mount applications.

Custom versions of most RF cable assemblies can be built and shipped same day. Custom cable assembly lengths can be obtained by specifying the desired length on the web site at time of order or by contacting a sales representative. Other available RF cable assembly value added services include connector orientation or clocking, heat shrink booting and custom labeling. RF testing can also be performed to document the electrical performance of your cable assembly.

Electrical Specifications

Description	Minimum	Typical	Maximum	Units
Frequency Range	DC		11	GHz
Velocity of Propagation		69.5		%
Capacitance		29.6 [97.11]		pF/ft [pF/m]
Dielectric Withstanding Voltage (AC)			7,500	Vrms

Specifications by Frequency

Description	F1	F2	F3	F4	F5	Units
Frequency	0.5	1	2.5	5	11	GHz
Insertion Loss (Typ.)	0.25	0.28	0.33	0.42	0.55	dB

Click the following link (or enter part number in "SEARCH" on website) to obtain additional part information including price, inventory and certifications: [N Male to N Female Bulkhead Cable 12 Inch Length Using PE-SR401AL Coax PE3993-12](#)



N Male to N Female Bulkhead Cable 12 Inch Length Using PE-SR401AL Coax

RF Cable Assemblies Technical Data Sheet

PE3993-12

Power Handling (Max.)	962	661	265	174	100	W
-----------------------	-----	-----	-----	-----	-----	---

Electrical Specification Notes:

The Insertion Loss data above is based on the performance specifications of the coax and connectors used in this assembly. The Insertion Loss includes an estimated insertion loss of 0.1 dB per connector.

Mechanical Specifications

Cable Assembly

Weight 0.272 lbs [123.38 g]

Cable

Cable Type PE-SR401AL-STRAIGHT
 Impedance 50 Ohms
 Inner Conductor Type Solid
 Inner Conductor Material and Plating Copper, Silver
 Dielectric Type PTFE
 Number of Shields 1
 Shield Layer 1 Tinned Aluminum
 Jacket Diameter 0.25 in [6.35 mm]

One Time Minimum Bend Radius 0.25 in [6.35 mm]

Connectors

Description	Connector 1	Connector 2
Type	N Male	N Female Bulkhead
Specification	MIL-STD-348A	
Impedance	50 Ohms	50 Ohms
Contact Material and Plating	Brass, Gold	Brass, Gold
Contact Plating Specification	30µ in. minimum	30µ in. minimum
Dielectric Type	Teflon	Teflon
Body Material and Plating	Brass, Gold	Brass, Nickel
Body Plating Specification	3µ in. minimum	100µ in. minimum
Coupling Nut Material and Plating	Brass, Nickel	
Coupling Nut Plating Specification	100µ in. minimum	

Mechanical Specification Notes:

Cable assemblies that are 60 inches or less use straight coax, greater than 60 inches use coiled coax

Click the following link (or enter part number in "SEARCH" on website) to obtain additional part information including price, inventory and certifications: [N Male to N Female Bulkhead Cable 12 Inch Length Using PE-SR401AL Coax PE3993-12](#)



N Male to N Female Bulkhead Cable 12 Inch Length Using PE-SR401AL Coax

RF Cable Assemblies Technical Data Sheet

PE3993-12

Compliance Certifications (see [product page](#) for current document)

Plotted and Other Data

Notes:

- Values at 25°C, sea level.

How to Order

Part Number Configuration:

PE3993 - xx uu

Unit of Measure:
cm = Centimeters
<blank> = Inches
Length
Base Number

Example: PE3993-12 = 12 inches long cable
PE3993-100cm = 100 cm long cable

N Male to N Female Bulkhead Cable 12 Inch Length Using PE-SR401AL Coax from Pasternack Enterprises has same day shipment for domestic and International orders. Our RF, microwave and millimeter wave products maintain a 99.4% availability and are part of the broadest selection in the industry.

Click the following link (or enter part number in "SEARCH" on website) to obtain additional part information including price, inventory and certifications: [N Male to N Female Bulkhead Cable 12 Inch Length Using PE-SR401AL Coax PE3993-12](#)

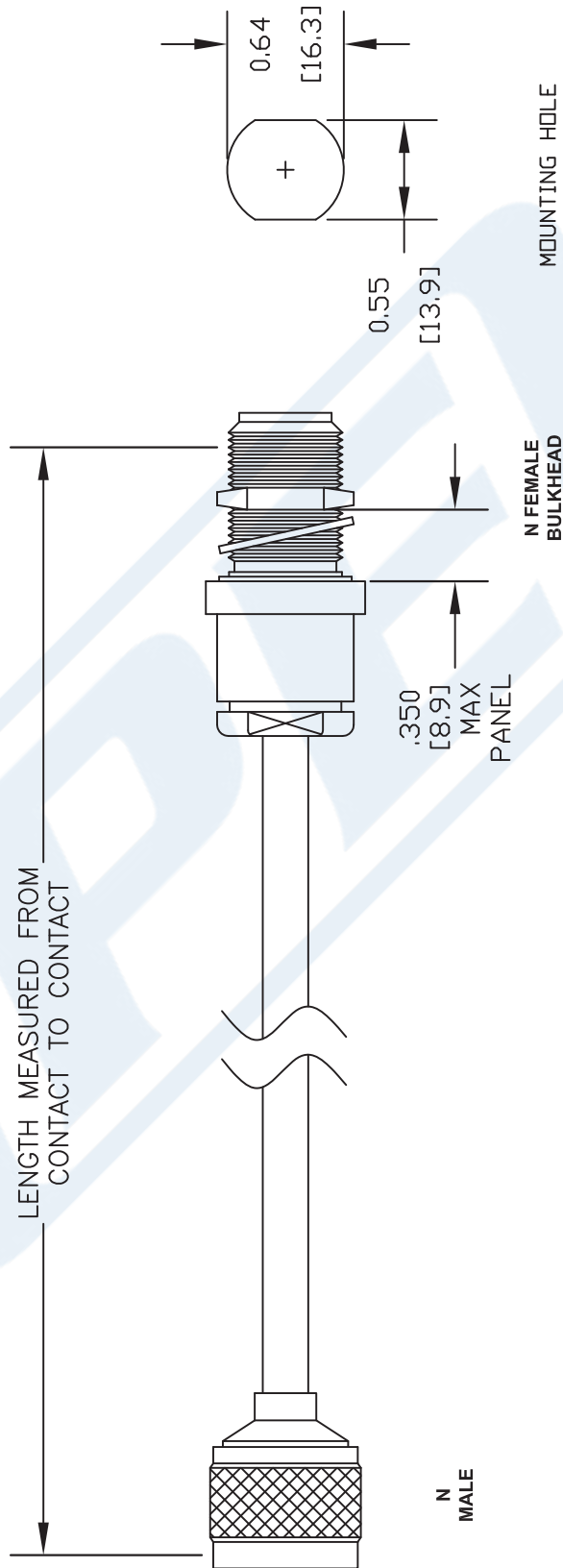
URL: <https://www.pasternack.com/n-male-n-female-pe-sr401al-cable-assembly-pe3993-12-p.aspx>

The information contained in this document is accurate to the best of our knowledge and representative of the part described herein. It may be necessary to make modifications to the part and/or the documentation of the part, in order to implement improvements. Pasternack reserves the right to make such changes as required. Unless otherwise stated, all specifications are nominal. Pasternack does not make any representation or warranty regarding the suitability of the part described herein for any particular purpose, and Pasternack does not assume any liability arising out of the use of any part or documentation.

PE3993-12 CAD Drawing

N Male to N Female Bulkhead Cable 12 Inch Length Using PE-SR401AL Coax

Standard Lengths	
-12	12"
-24	24"
-36	36"
-48	48"
-60	60"
-XXX	Custom Length in Inches



DWG TITLE

PE3993-XX

- NOTES:
1. UNLESS OTHERWISE SPECIFIED ALL DIMENSIONS ARE NOMINAL.
 2. ALL SPECIFICATIONS ARE SUBJECT TO CHANGE WITHOUT NOTICE AT ANY TIME.
 3. DIMENSIONS ARE IN INCHES [mm].
 4. LENGTH TOLERANCE IS $\pm 1.5\%$ OR $3/8"$, WHICHEVER IS GREATER.

REV. -

FSCM NO. 53919

CAD FILE 060407

SCALE N/A

SIZE A

127

PE PASTERNAK®
 Pasternack Enterprises, Inc.
 P.O. Box 16759 | Irvine | CA | 92623
 Phone: (949) 261-1920 | Fax: (949) 261-7451
 Website: www.pasternack.com | E-Mail: sales@pasternack.com