



TNC Male to TNC Male Low Loss Cable Using LMR-195 Coax with HeatShrink

TECHNICAL DATA SHEET

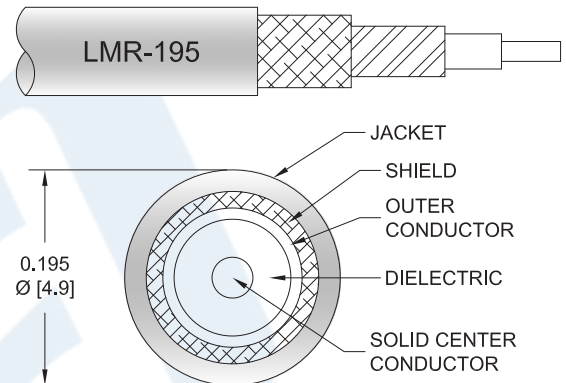
PE3C0042/HS

Configuration

- Connector 1: TNC Male
- Connector 2: TNC Male
- Cable Type: LMR-195
- Coax Flex Type: Flexible

Features

- Max Frequency 6 GHz
- Shielding Effectivity > 90 dB
- 80% Phase Velocity
- Double Shielded
- PE Jacket



Applications

- General Purpose
- Laboratory Use

Description

Pasternack's PE3C0042/HS TNC male to TNC male cable using LMR-195 coax is part of our full line of RF components available for same-day shipping. Pasternack's flexible RF cable assemblies are ideal for applications where tight bends and flexure are required. This Pasternack TNC to TNC cable assembly has a male to male gender configuration with 50 ohm flexible LMR-195 coax. The PE3C0042/HS TNC male to TNC male cable assembly operates to 6 GHz. The double shielding of this Pasternack cable assembly provides excellent shielding effectiveness of better than 90 dB.

Custom versions of most RF cable assemblies can be built and shipped same day. Custom cable assembly lengths can be obtained by specifying the desired length on the web site at time of order or by contacting a sales representative. Other available RF cable assembly value added services include connector orientation or clocking, heat shrink booting and custom labeling. RF testing can also be performed to document the electrical performance of your cable assembly.

Click the following link (or enter part number in "SEARCH" on website) to obtain additional part information including price, inventory and certifications: [TNC Male to TNC Male Low Loss Cable Using LMR-195 Coax with HeatShrink PE3C0042/HS](#)



TNC Male to TNC Male Low Loss Cable Using LMR-195 Coax with HeatShrink

TECHNICAL DATA SHEET

PE3C0042/HS

Electrical Specifications

| Description | Minimum | Typical | Maximum | Units |
|-------------------------------|---------|--------------|---------|----------------------------------|
| Frequency Range | DC | | 6 | GHz |
| VSWR | | | 1.4:1 | |
| Velocity of Propagation | | 80 | | % |
| RF Shielding | 90 | | | dB |
| Group Delay | | 1.27 [4.17] | | ns/ft [ns/m] |
| Capacitance | | 25.4 [83.33] | | pF/ft [pF/m] |
| Inductance | | 0.064 [0.21] | | uH/ft [uH/m] |
| DC Resistance Inner Conductor | | 7.6 [24.93] | | Ω /1000ft [Ω /Km] |
| DC Resistance Outer Conductor | | 4.9 [16.08] | | Ω /1000ft [Ω /Km] |
| Jacket Spark | | | 3,000 | Vrms |

Specifications by Frequency

| Part Number | Length | Description | F1 | F2 | F3 | F4 | F5 | Units | Weight (lbs) |
|----------------|--------------------------|-----------------------|------|------|------|------|------|-------|--------------|
| | | Frequency | 250 | 500 | 1000 | 2500 | 6000 | MHz | |
| PE3C0042/HS | Custom Lengths Available | Insertion Loss (Typ.) | 0.06 | 0.08 | 0.12 | 0.19 | 0.3 | dB/ft | |
| | | | 0.19 | 0.27 | 0.39 | 0.63 | 0.99 | dB/m | |
| PE3C0042/HS-12 | 12 inch | Insertion Loss (Typ.) | 0.26 | 0.29 | 0.32 | 0.39 | 0.5 | dB | 0.088 |
| PE3C0042/HS-24 | 24 inch | Insertion Loss (Typ.) | 0.32 | 0.37 | 0.44 | 0.58 | 0.8 | dB | 0.111 |
| PE3C0042/HS-36 | 36 inch | Insertion Loss (Typ.) | 0.38 | 0.45 | 0.56 | 0.77 | 1.1 | dB | 0.133 |
| PE3C0042/HS-48 | 48 inch | Insertion Loss (Typ.) | 0.43 | 0.53 | 0.67 | 0.96 | 1.4 | dB | 0.155 |
| PE3C0042/HS-60 | 60 inch | Insertion Loss (Typ.) | 0.49 | 0.61 | 0.79 | 1.15 | 1.7 | dB | 0.177 |

The insertion loss data for the base model does not include loss due to the connectors. Each length includes insertion loss due to the connectors.

| | |
|-----------------------------|----------------|
| Loss due to Connector 1: | 0.1 dB |
| Loss due to Connector 2: | 0.1 dB |
| Base Weight: | 0.088 pounds |
| Additional Weight per Inch: | 0.00184 pounds |

Mechanical Specifications

Cable Assembly

Weight 0.088 lbs [39.92 g]

Click the following link (or enter part number in "SEARCH" on website) to obtain additional part information including price, inventory and certifications: [TNC Male to TNC Male Low Loss Cable Using LMR-195 Coax with HeatShrink PE3C0042/HS](#)



TNC Male to TNC Male Low Loss Cable Using LMR-195 Coax with HeatShrink

TECHNICAL DATA SHEET

PE3C0042/HS

Cable

| | |
|--------------------------------------|------------------------|
| Cable Type | LMR-195 |
| Impedance | 50 Ohms |
| Inner Conductor Type | Solid |
| Inner Conductor Material and Plating | Copper |
| Dielectric Type | PE (F) |
| Number of Shields | 2 |
| Shield Layer 1 | Aluminum Tape |
| Shield Layer 2 | Tinned Copper Braid |
| Jacket Material | PE, Black |
| Jacket Diameter | 0.195 in [4.95 mm] |
| One Time Minimum Bend Radius | 0.5 in [12.7 mm] |
| Repeated Minimum Bend Radius | 2 in [50.8 mm] |
| Bending Moment | 0.2 lbs-ft [0.27 N-m] |
| Flat Plate Crush | 15 lbs/in [0.27 Kg/mm] |
| Tensile Strength | 40 lbs [18.14 Kg] |

Connectors

| Description | Connector 1 | Connector 2 |
|------------------------------------|-------------------|-------------------|
| Type | TNC Male Threaded | TNC Male Threaded |
| Impedance | 50 Ohms | 50 Ohms |
| Contact Material and Plating | Brass, Gold | Brass, Gold |
| Contact Plating Specification | 30 µin minimum | 30 µin minimum |
| Dielectric Type | PTFE | PTFE |
| Body Material and Plating | Brass, Nickel | Brass, Nickel |
| Body Plating Specification | 100 µin minimum | 100 µin minimum |
| Coupling Nut Material and Plating | Brass, Nickel | Brass, Nickel |
| Coupling Nut Plating Specification | 100 µin minimum | 100 µin minimum |

Environmental Specifications

Temperature

Operating Range -40 to +85 deg C

Compliance Certifications (see [product page](#) for current document)

Plotted and Other Data

Notes:

- Values at 25°C, sea level.

Click the following link (or enter part number in "SEARCH" on website) to obtain additional part information including price, inventory and certifications: [TNC Male to TNC Male Low Loss Cable Using LMR-195 Coax with HeatShrink PE3C0042/HS](#)



TNC Male to TNC Male Low Loss Cable Using LMR-195 Coax with HeatShrink

TECHNICAL DATA SHEET

PE3C0042/HS

How to Order

Part Number Configuration:

PE3C0042/HS - xx uu

Unit of Measure:
cm = Centimeters
<blank> = Inches
Length
Base Number

Example: PE3C0042/HS-12 = 12 inches long cable
PE3C0042/HS-100cm = 100 cm long cable

TNC Male to TNC Male Low Loss Cable Using LMR-195 Coax with HeatShrink from Pasternack Enterprises has same day shipment for domestic and International orders. Our RF, microwave and millimeter wave products maintain a 99.4% availability and are part of the broadest selection in the industry.

Click the following link (or enter part number in "SEARCH" on website) to obtain additional part information including price, inventory and certifications: [TNC Male to TNC Male Low Loss Cable Using LMR-195 Coax with HeatShrink PE3C0042/HS](#)

URL:

The information contained in this document is accurate to the best of our knowledge and representative of the part described herein. It may be necessary to make modifications to the part and/or the documentation of the part, in order to implement improvements. Pasternack reserves the right to make such changes as required. Unless otherwise stated, all specifications are nominal. Pasternack does not make any representation or warranty regarding the suitability of the part described herein for any particular purpose, and Pasternack does not assume any liability arising out of the use of any part or documentation.

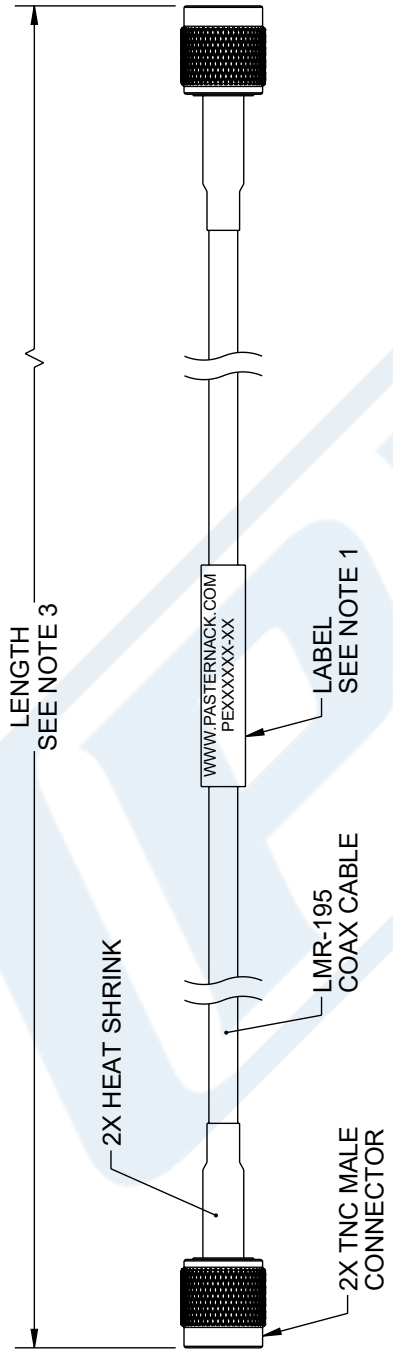
PE3C0042/HS CAD Drawing

TNC Male to TNC Male Low Loss Cable Using LMR-195 Coax with HeatShrink

F E D C B A

1 2 3 4 5 6

| ZONE | REV | DESCRIPTION | DATE | CHANGED BY | APPROVED |
|------|-----|-----------------|------------|------------|----------|
| | A | INITIAL RELEASE | 10/13/2023 | KGLEBOVA | AGANWANI |



- NOTES:**
- CABLE ASSEMBLY LENGTH LABEL PLACEMENT:
36 INCHES OR LESS, ONE LABEL APPROXIMATELY CENTERED.
LONGER THAN 36 INCHES, TWO LABELS APPROXIMATELY 6 INCHES FROM EACH CONNECTOR.
 - CABLE ASSEMBLIES SHALL BE TESTED FOR CONTINUITY.
 - CABLE ASSEMBLY LENGTH DETERMINED BY ITEM PN AND DESCRIPTION.

THE INFORMATION CONTAINED IN THIS DRAWING IS THE SOLE PROPERTY OF INFINITE ELECTRONICS, INC. ANY REPRODUCTION IN PART OR WHOLE WITHOUT THE WRITTEN PERMISSION OF INFINITE ELECTRONICS, INC. IS PROHIBITED. THESE COMMODITIES, TECHNOLOGY OR SOFTWARE WERE EXPORTED FROM THE UNITED STATES IN ACCORDANCE WITH THE EXPORT ADMINISTRATION REGULATIONS. DIVERSION CONTRARY TO U.S. LAW PROHIBITED.

| | | |
|--|---|--|
| PASTERNAK an INFINITI@ brand | Website: www.Pasternack.com Phone: 1.866.727.8376 1.949.261.1920 | INTERPRET ALL DIMENSIONS AND TOLERANCES PER ASME Y14.5 SCALE: NONE SHEET: 1 OF 1 |
| | DESCRIPTION: TNC MALE TO TNC MALE LOW LOSS CABLE USING LMR-195 COAX WITH HEATSHRINK | SIZE: A CAGE CODE: 53919 DRAWN BY: KGLEBOVA ITEM NO.: PE3C0042/HS |

UNLESS OTHERWISE SPECIFIED LEADING DIMENSIONS ARE IN INCHES DIMENSIONS IN [] ARE MILLIMETERS

| TOLERANCES: | FRACTIONS |
|---------------------|-------------|
| .X = ±.2 [5] | ± 1/32 |
| .XX = ±.02 [0.5] | ± 1/16 |
| .XXX = ±.005 [0.13] | ANGLES ± 1° |

CABLE LENGTH TOLERANCES:

| | | |
|--------------------------|-------------|------|
| <12 [305] | ± .1 [2.5] | / -0 |
| >12 [305] ≤ 60 [1525] | ± .2 [5.1] | / -0 |
| >60 [1524] ≤ 120 [3048] | ± .4 [10.2] | / -0 |
| >120 [3048] ≤ 300 [7620] | ± .6 [15.2] | / -0 |
| >300 [7620] | ± .8 [20.3] | / -0 |

ALL DIMENSIONS ARE FOR REFERENCE ONLY UNLESS OTHERWISE SPECIFIED. UNDIMENSIONED NON-CRITICAL FEATURES MAY VARY IN SIZE AND LOCATION. COLORS MAY VARY.

F E D C B A