

Waterproof IP68 SMA Male (Plug) to SMA Male (Plug) Weatherproof Low Loss Cable Using LMR-240 Coax, LF Solder



PE3C0052LF/WP

Configuration

- Connector 1: SMA Male
- Connector 2: SMA Male
- Cable Type: LMR-240
- Coax Flex Type: Flexible

Features

- Max Frequency 6 GHz
- Shielding Effectivity > 90 dB
- 84% Phase Velocity
- Double Shielded
- PE Jacket
- Silicone Connector Boot
- IP68 Rated

Applications

- General Purpose
- Laboratory Use

Description

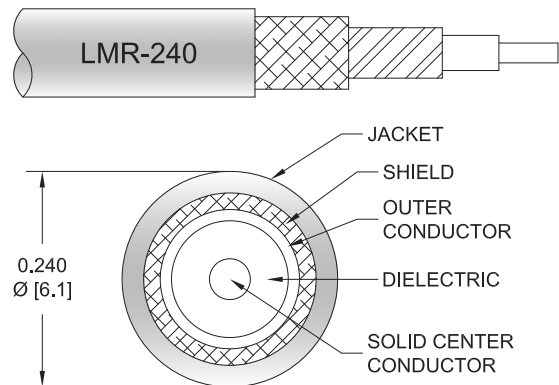
The Pasternack PE3C0052LF/WP is a weatherproof low loss cable assembly that comes with SMA male connection with weatherproof boot on one end and SMA male with weatherproof boot on the other. Pasternack's RF coaxial cable assembly products are designed for typical use, production, laboratory test and measurement, defense/military, aerial antenna towers, etc. The low loss cable has a 50 Ohm impedance and is specifically ready for quicker shipment than most in the industry can provide.

This weatherproof low loss RF cable assembly operates at a maximum frequency of 6 GHz. Our RF cable assembly has a PE jacket with 0.240 inches diameter. The SMA male to SMA male cable assembly PE3C0052LF/WP is built with LMR-240 coax, which has a flexible design. This RF cable assembly with 0.5 inches diameter has copper as cable's inner conducting material and PE (F) dielectric type. The weatherproof boot low loss cable can operate at a temperature range of -40 to 85 degrees C. Additional dimensions, specifications, and CAD drawings for this PE3C0052LF/WP low loss RF cable are available on our downloadable PDF datasheet.

Pasternack stocks a wide selection of weatherproof low loss cable assemblies that ship the same business day as ordered from our warehouse. Make your online purchase right now to take advantage of our same-day shipping. For further information on similar products, our expert technical support and knowledgeable sales team can help you get the ideal SMA male to SMA male cable assembly as per your requirements.

Electrical Specifications

Description	Minimum	Typical	Maximum	Units
Frequency Range	DC		6	GHz
VSWR			1.4:1	
Velocity of Propagation		84		%
RF Shielding	90			dB
Capacitance		24.2 [79.4]		pF/ft [pF/m]
Inductance		0.06 [0.2]		uH/ft [uH/m]
DC Resistance Inner Conductor		3.2 [10.5]		Ohms/1000ft [Ohms/Km]



Waterproof IP68 SMA Male (Plug) to SMA Male (Plug) Weatherproof Low Loss Cable Using LMR-240 Coax, LF Solder



PE3C0052LF/WP

Electrical Specifications

Description	Minimum	Typical	Maximum	Units
DC Resistance Outer Conductor		3.89 [12.76]		Ohms/1000ft [Ohms/Km]
Dielectric Withstanding Voltage (DC)			1,500	Vdc
Jacket Spark			5,000	Vrms

Specifications by Frequency

Part Number	Length	Description	F1	F2	F3	F4	F5	Units	Weight (lbs)
			Frequency						
PE3C0052LF/WP	Custom Lengths Available	Insertion Loss (Typ.)	0.039	0.055	0.079	0.129	0.204	dB/ft	
			0.13	0.19	0.26	0.43	0.67	dB/m	
PE3C0052LF/WP-12	12 Inch	Insertion Loss (Typ.)	0.24	0.26	0.28	0.33	0.41	dB	1.059
PE3C0052LF/WP-24	24 Inch	Insertion Loss (Typ.)	0.28	0.31	0.36	0.46	0.61	dB	1.092
PE3C0052LF/WP-36	36 Inch	Insertion Loss (Typ.)	0.32	0.37	0.44	0.59	0.82	dB	1.125
PE3C0052LF/WP-48	48 Inch	Insertion Loss (Typ.)	0.36	0.42	0.52	0.72	1.02	dB	1.158
PE3C0052LF/WP-60	60 Inch	Insertion Loss (Typ.)	0.4	0.48	0.6	0.85	1.22	dB	1.191

The insertion loss data for the base model does not include loss due to the connectors. Each length includes insertion loss due to the connectors.

Loss due to Connector 1:	0.1 dB
Loss due to Connector 2:	0.1 dB
Base Weight:	1.059 pounds
Additional Weight per Inch:	0.00275 pounds

Mechanical Specifications

Cable Assembly

Width/Diameter	0.5 in [12.7 mm]
Weight	1.059 lbs [480.35 g]

Cable

Cable Type	LMR-240
Impedance	50 Ohms
Inner Conductor Type	Solid
Inner Conductor Material and Plating	Copper
Dielectric Type	PE (F)
Number of Shields	2
Shield Layer 1	Aluminum Tape
Shield Layer 2	Tinned Copper Braid
Jacket Material	PE
Jacket Diameter	0.24 in [6.1 mm]
One Time Minimum Bend Radius	0.75 in [19.05 mm]
Repeated Minimum Bend Radius	2.5 in [63.5 mm]
Bending Moment	0.25 lbs-ft [0.34 N-m]
Flat Plate Crush	20 lbs/in [0.36 Kg/mm]
Tensile Strength	80 lbs [36.29 Kg]

Waterproof IP68 SMA Male (Plug) to SMA Male (Plug) Weatherproof Low Loss Cable Using LMR-240 Coax, LF Solder



PE3C0052LF/WP

Connectors

Description	Connector 1	Connector 2
Type	SMA Male	SMA Male
Option	Weatherproof Boot	Weatherproof Boot
Impedance	50 Ohms	50 Ohms
Configuration	Straight	Straight
Contact Material and Plating	Brass, Gold	Brass, Gold
Dielectric Type	PTFE	PTFE
Body Material and Plating	Brass, Gold	Brass, Gold
Coupling Nut Material and Plating	Brass, Gold	Brass, Gold
Boot Material	Silicone	Silicone

Environmental Specifications

Operating Range Temperature	-40 to +85 deg C
Ingress Protection (IP) Rating	IP68

Compliance Certifications (see [product page](#) for current document)

Plotted and Other Data

Notes:
Values at 25°C, sea level.

Waterproof IP68 SMA Male (Plug) to SMA Male (Plug) Weatherproof Low Loss Cable Using LMR-240 Coax, LF Solder

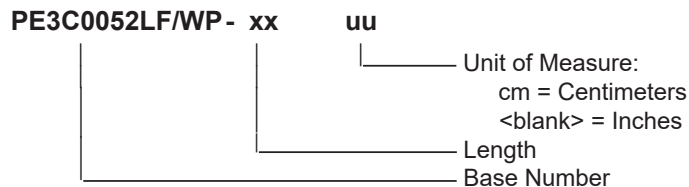


PE3C0052LF/WP

Typical Performance Data

How to Order

Part Number Configuration:



Example: PE3C0052LF/WP-12 = 12 inches long cable
PE3C0052LF/WP-100cm = 100 cm long cable

Waterproof IP68 SMA Male (Plug) to SMA Male (Plug) Weatherproof Low Loss Cable Using LMR-240 Coax, LF Solder from Pasternack Enterprises has same day shipment for domestic and International orders. Our RF, microwave and millimeter wave products maintain a 99.4% availability and are part of the broadest selection in the industry.

Click the following link (or enter part number in "SEARCH" on website) to obtain additional part information including price, inventory and certifications: [Waterproof IP68 SMA Male \(Plug\) to SMA Male \(Plug\) Weatherproof Low Loss Cable Using LMR-240 Coax, LF Solder PE3C0052LF/WP](https://www.pasternack.com/waterproof-ip68-sma-male-plug-to-sma-male-plug-weatherproof-low-loss-cable-using-lmr-240-coax-lf-solder-pe3c0052lf/wp)

URL: <https://www.pasternack.com/waterproof-ip68-sma-male-plug-to-sma-male-plug-weatherproof-low-loss-cable-using-lmr-240-lf-solder-pe3c0052lf-wp-p.aspx>

The information contained within this document is accurate to the best of our knowledge and representative of the part described herein. It may be necessary to make modifications to the part and/or the documentation of the part in order to implement improvements. Pasternack Enterprises reserves the right to make such changes as required. Unless otherwise stated, all specifications are nominal. Pasternack Enterprises does not make any representation or warranty regarding the suitability of the part described herein for any particular purpose, and Pasternack Enterprises does not assume liability arising out of the use of any part or document.

PE3C0052LF/WP CAD Drawing

Waterproof IP68 SMA Male (Plug) to SMA Male (Plug) Weatherproof
Low Loss Cable Using LMR-240 Coax, LF Solder

