



## TNC Male Right Angle to TNC Male Low Loss Cable Using LMR-195 Coax with HeatShrink, LF Solder

### RF Cable Assemblies Technical Data Sheet

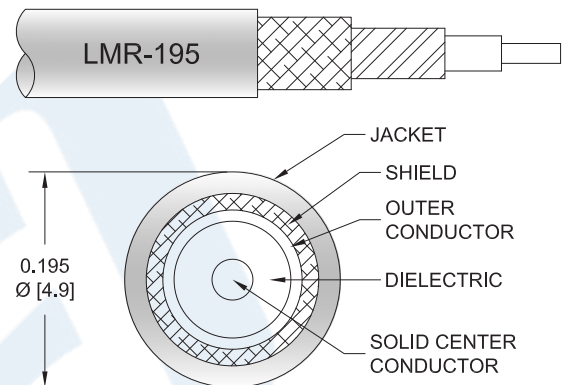
**PE3C0058LF/HS**

#### Configuration

- Connector 1: TNC Male Right Angle
- Connector 2: TNC Male
- Cable Type: LMR-195

#### Features

- Max Frequency 3 GHz
- Shielding Effectivity > 90 dB
- 80% Phase Velocity
- Double Shielded
- PE Jacket



#### Applications

- General Purpose
- Laboratory Use

#### Description

Pasternack's PE3C0058LF/HS TNC male right angle to TNC male cable using LMR-195 coax is part of our full line of RF components available for same-day shipping. Pasternack's flexible RF cable assemblies are ideal for applications where tight bends and flexure are required. This Pasternack TNC to TNC cable assembly has a male to male gender configuration with 50 ohm flexible LMR-195 coax. The PE3C0058LF/HS TNC male to TNC male cable assembly operates to 3 GHz. The right angle TNC interface on the LMR-195 cable allows for easier connections in tight spaces. The double shielding of this Pasternack cable assembly provides excellent shielding effectiveness of better than 90 dB.

Custom versions of most RF cable assemblies can be built and shipped same day. Custom cable assembly lengths can be obtained by specifying the desired length on the web site at time of order or by contacting a sales representative. Other available RF cable assembly value added services include connector orientation or clocking, heat shrink booting and custom labeling. RF testing can also be performed to document the electrical performance of your cable assembly.

Click the following link (or enter part number in "SEARCH" on website) to obtain additional part information including price, inventory and certifications: [TNC Male Right Angle to TNC Male Low Loss Cable Using LMR-195 Coax with HeatShrink, LF Solder PE3C0058LF/HS](#)



## TNC Male Right Angle to TNC Male Low Loss Cable Using LMR-195 Coax with HeatShrink, LF Solder

### RF Cable Assemblies Technical Data Sheet

**PE3C0058LF/HS**

#### Electrical Specifications

Description	Minimum	Typical	Maximum	Units
Frequency Range	DC		3	GHz
VSWR			1.4:1	
Velocity of Propagation		80		%
RF Shielding	90			dB
Group Delay		1.27 [4.17]		ns/ft [ns/m]
Capacitance		25.4 [83.33]		pF/ft [pF/m]
Inductance		0.064 [0.21]		uH/ft [uH/m]
DC Resistance Inner Conductor		7.6 [24.93]		$\Omega$ /1000ft [ $\Omega$ /Km]
DC Resistance Outer Conductor		4.9 [16.08]		$\Omega$ /1000ft [ $\Omega$ /Km]
Operating Voltage (AC)			500	Vrms
Dielectric Withstanding Voltage (DC)			1,000	Vdc
Jacket Spark			3,000	Vrms
Input Power (Peak)			2.5	KWatts

#### Specifications by Frequency

Description	F1	F2	F3	F4	F5	Units
Frequency	0.1	0.25	0.5	1	3	GHz
Insertion Loss (Typ.)	0.034	0.057	0.081	0.116	0.206	dB/ft
	0.11	0.19	0.27	0.38	0.68	dB/m

#### Electrical Specification Notes:

Insertion Loss does not include the loss of the connectors. Insertion Loss is estimated as 0.2dB for the right angle connector and 0.1 dB for the straight connector.

#### Mechanical Specifications

##### Cable Assembly

##### Cable

Cable Type	LMR-195
Impedance	50 Ohms
Inner Conductor Type	Solid
Inner Conductor Material and Plating	Copper
Dielectric Type	PE (F)
Number of Shields	2
Shield Layer 1	Aluminum Tape
Shield Layer 2	Tinned Copper Braid

Click the following link (or enter part number in "SEARCH" on website) to obtain additional part information including price, inventory and certifications: [TNC Male Right Angle to TNC Male Low Loss Cable Using LMR-195 Coax with HeatShrink, LF Solder PE3C0058LF/HS](#)



TNC Male Right Angle to TNC Male Low Loss Cable  
Using LMR-195 Coax with HeatShrink, LF Solder

**RF Cable Assemblies Technical Data Sheet**

**PE3C0058LF/HS**

Jacket Material	PE, Black
Jacket Diameter	0.195 in [4.95 mm]
One Time Minimum Bend Radius	0.5 in [12.7 mm]
Repeated Minimum Bend Radius	2 in [50.8 mm]
Bending Moment	0.2 lbs-ft [0.27 N-m]
Flat Plate Crush	15 lbs/in [0.27 Kg/mm]
Tensile Strength	40 lbs [18.14 Kg]

**Connectors**

Description	Connector 1	Connector 2
Type	TNC Male Right Angle	TNC Male
Specification	MIL-STD-348A	
Impedance	50 Ohms	50 Ohms
Contact Material and Plating	Brass, Gold	Brass, Gold
Contact Plating Specification	30 µin minimum	30 µin minimum
Dielectric Type	PTFE	PTFE
Body Material and Plating	Brass, Nickel	Brass, Nickel
Body Plating Specification	100 µin minimum	100 µin minimum
Coupling Nut Material and Plating	Brass, Nickel	Brass, Nickel
Coupling Nut Plating Specification	100 µin minimum	100 µin minimum

**Environmental Specifications**

**Temperature**

Operating Range -40 to +85 deg C

**Compliance Certifications** (see [product page](#) for current document)

**Plotted and Other Data**

Notes:

Click the following link (or enter part number in "SEARCH" on website) to obtain additional part information including price, inventory and certifications: [TNC Male Right Angle to TNC Male Low Loss Cable Using LMR-195 Coax with HeatShrink, LF Solder PE3C0058LF/HS](#)



TNC Male Right Angle to TNC Male Low Loss Cable  
Using LMR-195 Coax with HeatShrink, LF Solder

**RF Cable Assemblies Technical Data Sheet**

**PE3C0058LF/HS**

**How to Order**

Part Number Configuration:

**PE3C0058LF/HS - xx uu**

Unit of Measure:  
cm = Centimeters  
<blank> = Inches  
Length  
Base Number

Example: PE3C0058LF/HS-12 = 12 inches long cable  
PE3C0058LF/HS-100cm = 100 cm long cable

TNC Male Right Angle to TNC Male Low Loss Cable Using LMR-195 Coax with HeatShrink, LF Solder from Pasternack Enterprises has same day shipment for domestic and International orders. Our RF, microwave and millimeter wave products maintain a 99.4% availability and are part of the broadest selection in the industry.

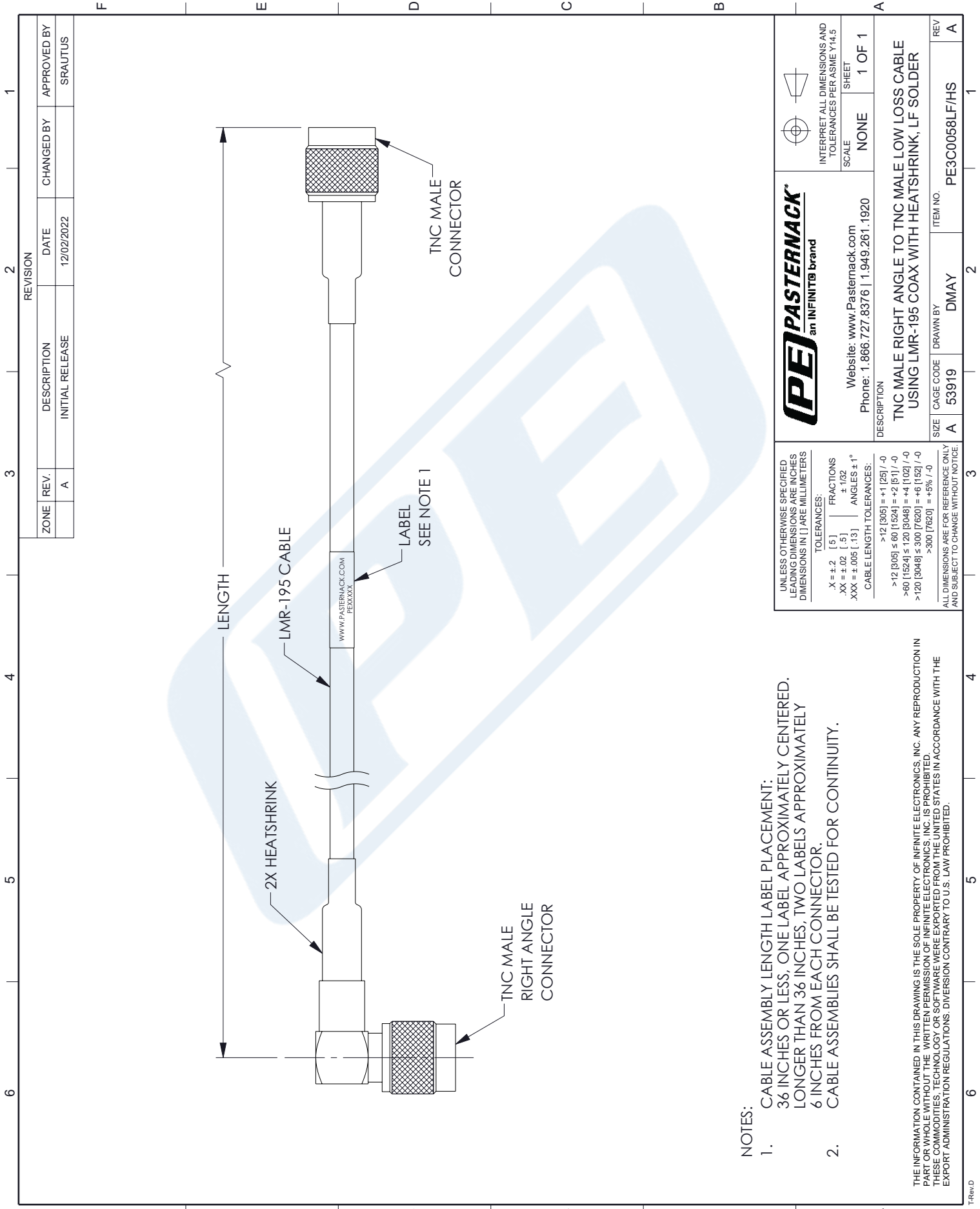
Click the following link (or enter part number in "SEARCH" on website) to obtain additional part information including price, inventory and certifications: [TNC Male Right Angle to TNC Male Low Loss Cable Using LMR-195 Coax with HeatShrink, LF Solder PE3C0058LF/HS](https://www.pasternack.com/tnc-male-right-angle-to-tnc-male-low-loss-cable-using-lmr-195-with-heatshrink-lf-solder-pe3c0058lf/hs)

URL: <https://www.pasternack.com/tnc-male-right-angle-to-tnc-male-low-loss-cable-using-lmr-195-with-heatshrink-lf-solder-pe3c0058lf-hs-p.aspx>

The information contained in this document is accurate to the best of our knowledge and representative of the part described herein. It may be necessary to make modifications to the part and/or the documentation of the part, in order to implement improvements. Pasternack reserves the right to make such changes as required. Unless otherwise stated, all specifications are nominal. Pasternack does not make any representation or warranty regarding the suitability of the part described herein for any particular purpose, and Pasternack does not assume any liability arising out of the use of any part or documentation.

# PE3C0058LF/HS CAD Drawing

## TNC Male Right Angle to TNC Male Low Loss Cable Using LMR-195 Coax with HeatShrink, LF Solder



**NOTES:**

1. CABLE ASSEMBLY LENGTH LABEL PLACEMENT: 36 INCHES OR LESS, ONE LABEL APPROXIMATELY CENTERED. LONGER THAN 36 INCHES, TWO LABELS APPROXIMATELY 6 INCHES FROM EACH CONNECTOR.
2. CABLE ASSEMBLIES SHALL BE TESTED FOR CONTINUITY.

THE INFORMATION CONTAINED IN THIS DRAWING IS THE SOLE PROPERTY OF INFINITE ELECTRONICS, INC. ANY REPRODUCTION IN PART OR WHOLE WITHOUT THE WRITTEN PERMISSION OF INFINITE ELECTRONICS, INC. IS PROHIBITED. THESE COMMODITIES, TECHNOLOGY OR SOFTWARE WERE EXPORTED FROM THE UNITED STATES IN ACCORDANCE WITH THE EXPORT ADMINISTRATION REGULATIONS. DIVERSION CONTRARY TO U.S. LAW PROHIBITED.

UNLESS OTHERWISE SPECIFIED LEADING DIMENSIONS ARE INCHES DIMENSIONS IN [ ] ARE MILLIMETERS	
X = ±.2 [ .5 ]	FRACTIONS ± 1/32
.XX = ±.02 [ .13 ]	ANGLES ± 1°
XXX = ±.005 [ .13 ]	CABLE LENGTH TOLERANCES:
	>12 [305] = +1 [25] / -0
	>12 [305] ≤ 60 [1524] = +2 [51] / -0
	>60 [1524] ≤ 120 [3048] = +4 [102] / -0
	>120 [3048] ≤ 300 [7620] = +6 [152] / -0
	>300 [7620] = +5% / -0
ALL DIMENSIONS ARE FOR REFERENCE ONLY AND SUBJECT TO CHANGE WITHOUT NOTICE.	

<b>PE PASTERNAK</b> an INFINITO brand	
Website: <a href="http://www.Pasternack.com">www.Pasternack.com</a> Phone: 1.866.727.8376   1.949.261.1920	
DESCRIPTION	TNC MALE RIGHT ANGLE TO TNC MALE LOW LOSS CABLE USING LMR-195 COAX WITH HEATSHRINK, LF SOLDER
SIZE	A 53919
DRAWN BY	DMAY
ITEM NO.	PE3C0058LF/HS
SCALE	NONE
SHEET	1 OF 1
INTERPRET ALL DIMENSIONS AND TOLERANCES PER ASME Y14.5	

ZONE	REV.	DESCRIPTION	DATE	CHANGED BY	APPROVED BY
	A	INITIAL RELEASE	12/02/2022		SRAUTUS