



SMA Male Right Angle to SMA Male Right Angle Low Loss Cable Using LMR-195 Coax with HeatShrink and 270 Deg. Clock

TECHNICAL DATA SHEET

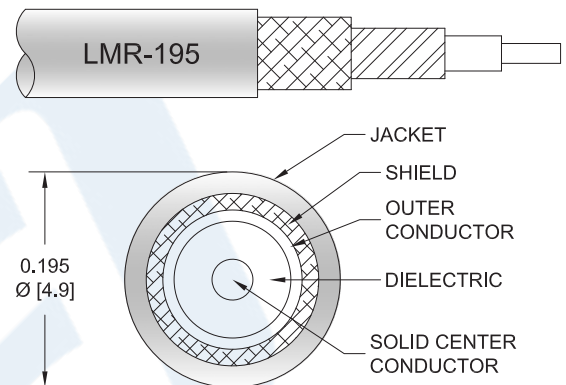
PE3C0382/SP3

Configuration

- Connector 1: SMA Male Right Angle
- Connector 2: SMA Male Right Angle
- Cable Type: LMR-195
- Coax Flex Type: Flexible

Features

- Max Frequency 5.8 GHz
- Shielding Effectivity > 90 dB
- 80% Phase Velocity
- Double Shielded
- PE Jacket



Applications

- General Purpose
- Laboratory Use

Description

Pasternack's PE3C0382/SP3 SMA male right angle to SMA male right angle cable using LMR-195 coax is part of our full line of RF components available for same-day shipping. Pasternack's flexible RF cable assemblies are ideal for applications where tight bends and flexure are required. This Pasternack SMA to SMA cable assembly has a male to male gender configuration with 50 ohm flexible LMR-195 coax. The PE3C0382/SP3 SMA male to SMA male cable assembly operates to 5.8 GHz. The right angle SMA interfaces on the LMR-195 cable allow for easier connections in tight spaces. The double shielding of this Pasternack cable assembly provides excellent shielding effectiveness of better than 90 dB.

Custom versions of most RF cable assemblies can be built and shipped same day. Custom cable assembly lengths can be obtained by specifying the desired length on the web site at time of order or by contacting a sales representative. Other available RF cable assembly value added services include connector orientation or clocking, heat shrink booting and custom labeling. RF testing can also be performed to document the electrical performance of your cable assembly.

Click the following link (or enter part number in "SEARCH" on website) to obtain additional part information including price, inventory and certifications: [SMA Male Right Angle to SMA Male Right Angle Low Loss Cable Using LMR-195 Coax with HeatShrink and 270 Deg. Clock PE3C0382/SP3](#)



SMA Male Right Angle to SMA Male Right Angle Low Loss Cable
Using LMR-195 Coax with HeatShrink and 270 Deg. Clock

TECHNICAL DATA SHEET

PE3C0382/SP3

Electrical Specifications

Description	Minimum	Typical	Maximum	Units
Frequency Range	DC		5.8	GHz
VSWR			1.4:1	
Velocity of Propagation		80		%
RF Shielding	90			dB
Group Delay		1.27 [4.17]		ns/ft [ns/m]
Capacitance		25.4 [83.33]		pF/ft [pF/m]
Inductance		0.064 [0.21]		uH/ft [uH/m]
DC Resistance Inner Conductor		7.6 [24.93]		Ω /1000ft [Ω /Km]
DC Resistance Outer Conductor		4.9 [16.08]		Ω /1000ft [Ω /Km]
Jacket Spark			3,000	Vrms

Specifications by Frequency

Part Number	Length	Description	F1	F2	F3	F4	F5	Units	Weight (lbs)
		Frequency	250	500	1000	2500	5800	MHz	
PE3C0382/SP3	Custom Lengths Available	Insertion Loss (Typ.)	0.06	0.08	0.12	0.19	0.3	dB/ft	
			0.19	0.27	0.39	0.63	0.99	dB/m	
PE3C0382/SP3-12	12 inch	Insertion Loss (Typ.)	0.46	0.49	0.52	0.59	0.7	dB	0.056
PE3C0382/SP3-24	24 inch	Insertion Loss (Typ.)	0.52	0.57	0.64	0.78	1	dB	0.079
PE3C0382/SP3-36	36 inch	Insertion Loss (Typ.)	0.58	0.65	0.75	0.97	1.3	dB	0.101
PE3C0382/SP3-48	48 inch	Insertion Loss (Typ.)	0.63	0.73	0.87	1.16	1.6	dB	0.123
PE3C0382/SP3-60	60 inch	Insertion Loss (Typ.)	0.69	0.81	0.98	1.35	1.9	dB	0.145

The insertion loss data for the base model does not include loss due to the connectors. Each length includes insertion loss due to the connectors.

Loss due to Connector 1: 0.2 dB
 Loss due to Connector 2: 0.2 dB
 Base Weight: 0.056 pounds
 Additional Weight per Inch: 0.00075 pounds

Mechanical Specifications

Cable Assembly

Weight 0.056 lbs [25.4 g]

Click the following link (or enter part number in "SEARCH" on website) to obtain additional part information including price, inventory and certifications: [SMA Male Right Angle to SMA Male Right Angle Low Loss Cable Using LMR-195 Coax with HeatShrink and 270 Deg. Clock PE3C0382/SP3](#)



SMA Male Right Angle to SMA Male Right Angle Low Loss Cable
Using LMR-195 Coax with HeatShrink and 270 Deg. Clock

TECHNICAL DATA SHEET

PE3C0382/SP3

Cable

Cable Type	LMR-195
Impedance	50 Ohms
Inner Conductor Type	Solid
Inner Conductor Material and Plating	Copper
Dielectric Type	PE (F)
Number of Shields	2
Shield Layer 1	Aluminum Tape
Shield Layer 2	Tinned Copper Braid
Jacket Material	PE, Black
Jacket Diameter	0.195 in [4.95 mm]
One Time Minimum Bend Radius	0.5 in [12.7 mm]
Repeated Minimum Bend Radius	2 in [50.8 mm]
Bending Moment	0.2 lbs-ft [0.27 N-m]
Flat Plate Crush	15 lbs/in [0.27 Kg/mm]
Tensile Strength	40 lbs [18.14 Kg]

Connectors

Description	Connector 1	Connector 2
Type	SMA Male Right Angle Threaded	SMA Male Right Angle Threaded
Specification	MIL-STD-348A	MIL-STD-348A
Impedance	50 Ohms	50 Ohms
Contact Material and Plating	Brass, Gold	Brass, Gold
Contact Plating Specification	50 µin minimum	50 µin minimum
Dielectric Type	PTFE	PTFE
Body Material and Plating	Brass, Nickel	Brass, Nickel
Body Plating Specification	100 µin minimum	100 µin minimum
Coupling Nut Material and Plating	Brass, Nickel	Brass, Nickel
Coupling Nut Plating Specification	100 µin minimum	100 µin minimum
Hex Size	5/16 inch	5/16 inch
Torque	5 in-lbs [0.57 Nm]	5 in-lbs [0.57 Nm]

Environmental Specifications

Temperature

Operating Range -40 to +85 deg C

Click the following link (or enter part number in "SEARCH" on website) to obtain additional part information including price, inventory and certifications: [SMA Male Right Angle to SMA Male Right Angle Low Loss Cable Using LMR-195 Coax with HeatShrink and 270 Deg. Clock PE3C0382/SP3](#)



SMA Male Right Angle to SMA Male Right Angle Low Loss Cable Using LMR-195 Coax with HeatShrink and 270 Deg. Clock

TECHNICAL DATA SHEET

PE3C0382/SP3

Compliance Certifications (see [product page](#) for current document)

Plotted and Other Data

Notes:

How to Order

Part Number Configuration:

PE3C0382/SP3 - xx uu

Unit of Measure:
cm = Centimeters
<blank> = Inches
Length
Base Number

Example: PE3C0382/SP3-12 = 12 inches long cable
PE3C0382/SP3-100cm = 100 cm long cable

SMA Male Right Angle to SMA Male Right Angle Low Loss Cable Using LMR-195 Coax with HeatShrink and 270 Deg. Clock from Pasternack Enterprises has same day shipment for domestic and International orders. Our RF, microwave and millimeter wave products maintain a 99.4% availability and are part of the broadest selection in the industry.

Click the following link (or enter part number in "SEARCH" on website) to obtain additional part information including price, inventory and certifications: [SMA Male Right Angle to SMA Male Right Angle Low Loss Cable Using LMR-195 Coax with HeatShrink and 270 Deg. Clock PE3C0382/SP3](#)

URL: <https://www.pasternack.com/sma-male-right-angle-to-sma-male-low-loss-cable-using-lmr-195-with-heatshrink-and-270-deg.-clock-pe3c0382-sp3-p.aspx>

The information contained in this document is accurate to the best of our knowledge and representative of the part described herein. It may be necessary to make modifications to the part and/or the documentation of the part, in order to implement improvements. Pasternack reserves the right to make such changes as required. Unless otherwise stated, all specifications are nominal. Pasternack does not make any representation or warranty regarding the suitability of the part described herein for any particular purpose, and Pasternack does not assume any liability arising out of the use of any part or documentation.

PE3C0382/SP3 CAD Drawing

SMA Male Right Angle to SMA Male Right Angle Low Loss Cable Using LMR-195 Coax with HeatShrink and 270 Deg. Clock

F

E

D

C

B

A

1

2

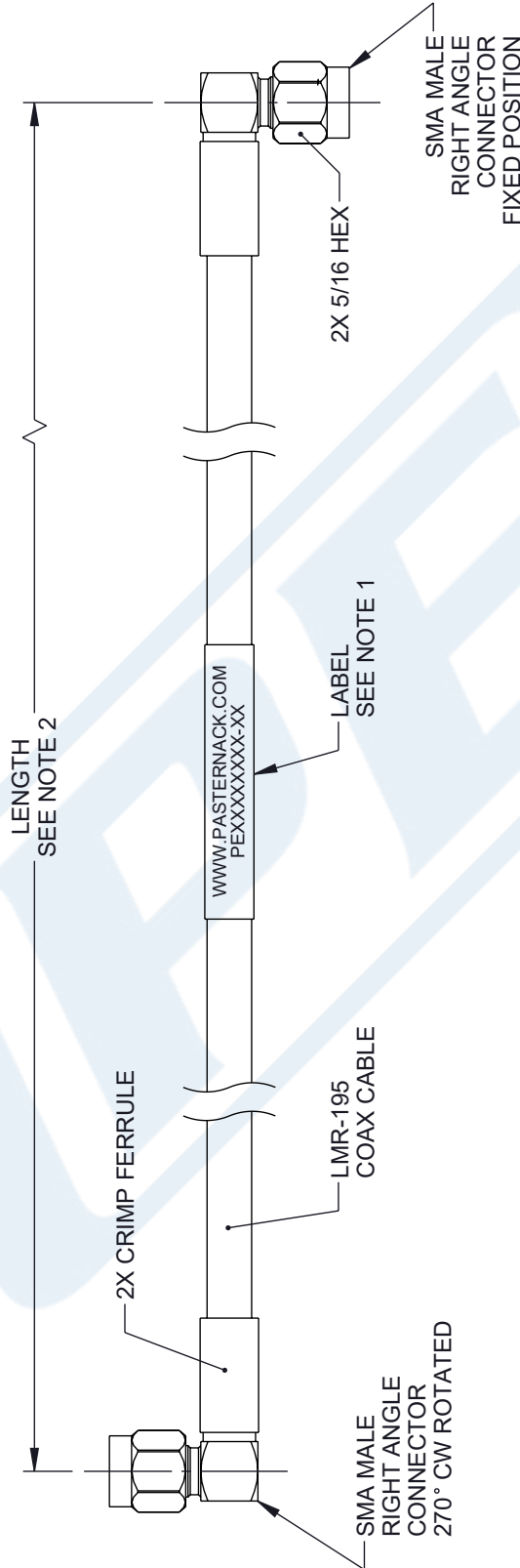
3

4

5

6

REVISION		DATE	CHANGED BY	APPROVED	
ZONE	REV	DESCRIPTION	DATE	CHANGED BY	APPROVED
	A	INITIAL RELEASE	10/30/2023	KDANG	AGANWANI



NOTES:

1. CABLE ASSY LENGTH LABEL PLACEMENT : 36 INCHES OR LESS, ONE LABEL APPROX CENTERED. LONGER THAN 36 INCHES, TWO LABELS APPROX 6 INCHES FROM EACH CONNECTOR.
2. CABLE ASSEMBLY LENGTH DETERMINED BY ITEM PN AND DESCRIPTION.
3. CABLES ASSEMBLIES SHALL BE TESTED FOR CONTINUITY.

THE INFORMATION CONTAINED IN THIS DRAWING IS THE SOLE PROPERTY OF INFINITE ELECTRONICS, INC. ANY REPRODUCTION IN PART OR WHOLE WITHOUT THE WRITTEN PERMISSION OF INFINITE ELECTRONICS, INC. IS PROHIBITED. THESE COMMODITIES, TECHNOLOGY OR SOFTWARE WERE EXPORTED FROM THE UNITED STATES IN ACCORDANCE WITH THE EXPORT ADMINISTRATION REGULATIONS. DIVERSION CONTRARY TO U.S. LAW PROHIBITED.

UNLESS OTHERWISE SPECIFIED, LEADING DIMENSIONS ARE IN INCHES. DIMENSIONS IN PARENS ARE IN MILLIMETERS.	
TOLERANCES:	FRACTIONS
.X = ±.2 [5]	±.132
.XX = ±.02 [0.5]	±.132
.XXX = ±.005 [0.13]	ANGLES ± 1°
CABLE LENGTH TOLERANCES:	
>12 [305] ≤ 517 [1304]	= +.125 / -0
>60 [1524] ≤ 120 [3048]	= +.4 [102] / -0
>120 [3048] ≤ 300 [7620]	= +6 [152] / -0
>300 [7620]	= +5% / -0
ALL DIMENSIONS ARE FOR REFERENCE ONLY. UNDIMENSIONED CRITICAL FEATURES MAY VARY IN SIZE AND LOCATION. COLORS MAY VARY.	



Website: www.Pasternack.com
Phone: 1.866.727.8376 | 1.949.261.1920

INTERPRET ALL DIMENSIONS AND TOLERANCES PER ASME Y14.5		SCALE	NONE	SHEET	1 OF 1
DESCRIPTION					
SMA Male Right Angle to SMA Male Right Angle Low Loss Cable Using LMR-195 Coax with HeatShrink and 270 Deg. Clock, LF Solder					
SIZE	CAGE CODE	DRAWN BY	ITEM NO.	REV	
A	53919	KDANG	PE3C0382/SP3	A	