

Mini SMP Male to Mini SMP Male VITA 67.3 Cable Using PE-P047HF Coax



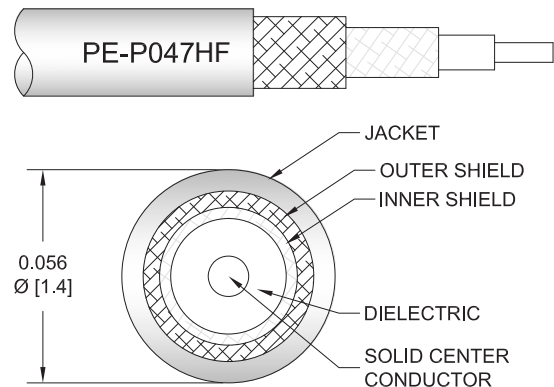
PE3C10829

Configuration

- Connector 1: Mini SMP Male
- Connector 2: Mini SMP Male
- Cable Type: PE-P047HF
- Coax Flex Type: High Flex

Features

- Max Frequency 40 GHz
- Shielding Effectivity > 90 dB
- 70% Phase Velocity
- Double Shielded
- FEP Jacket
- 500 Mating Cycles



Applications

- General Purpose
- Laboratory Use

Description

Pasternack's PE3C10829 Mini SMP male to Mini SMP male cable using PE-P047HF coax is part of our full line of RF components available for same-day shipping. This Pasternack Mini SMP to Mini SMP cable assembly has a male to male gender configuration with 50 ohm high flex PE-P047HF coax. The PE3C10829 Mini SMP male to Mini SMP male cable assembly operates to 40 GHz. The double shielding of this Pasternack cable assembly provides excellent shielding effectiveness of better than 90 dB.

Custom versions of most RF cable assemblies can be built and shipped same day. Custom cable assembly lengths can be obtained by specifying the desired length on the web site at time of order or by contacting a sales representative. Other available RF cable assembly value added services include connector orientation or clocking, heat shrink booting and custom labeling. RF testing can also be performed to document the electrical performance of your cable assembly.

Electrical Specifications

Description	Minimum	Typical	Maximum	Units
Frequency Range	DC		40	GHz
VSWR			1.4:1	
Velocity of Propagation		70		%
RF Shielding	90			dB
Capacitance		29 [95.14]		pF/ft [pF/m]

Specifications by Frequency

Mini SMP Male to Mini SMP Male VITA
67.3 Cable Using PE-P047HF Coax



PE3C10829

Part Number	Length	Description	F1	F2	F3	F4	F5	Units	Weight (lbs)
			Frequency					MHz	
PE3C10829	Custom Lengths Available	Insertion Loss (Typ.)	0.558	0.808	1.177	1.784	2.774	dB/ft	
			1.84	2.66	3.87	5.86	9.11	dB/m	
PE3C10829-6	6 In	Insertion Loss (Typ.)	0.48	0.61	0.79	1.1	1.59	dB	0.006
PE3C10829-9	9 In	Insertion Loss (Typ.)	0.62	0.81	1.09	1.54	2.29	dB	0.007
PE3C10829-12	12 In	Insertion Loss (Typ.)	0.76	1.01	1.38	1.99	2.98	dB	0.008
PE3C10829-18	18 In	Insertion Loss (Typ.)	1.04	1.42	1.97	2.88	4.37	dB	0.01
PE3C10829-24	24 In	Insertion Loss (Typ.)	1.32	1.82	2.56	3.77	5.75	dB	0.012

The insertion loss data for the base model does not include loss due to the connectors. Each length includes insertion loss due to the connectors.

Loss due to Connector 1: 0.1 dB
 Loss due to Connector 2: 0.1 dB
 Base Weight: 0.0072 pounds
 Additional Weight per Inch: 0.00034 pounds

Mechanical Specifications

Cable Assembly

Width/Diameter 0.5 in [12.7 mm]
 Weight 0.008 lbs [3.63 g]

Cable

Cable Type PE-P047HF
 Impedance 50 Ohms
 Inner Conductor Type Solid
 Inner Conductor Material and Plating Copper, Silver
 Dielectric Type PTFE
 Number of Shields 2
 Shield Layer 1 Silver Plated Copper Tape
 Shield Layer 2 Silver Plated Copper Braid
 Jacket Material FEP, Blue
 Jacket Diameter 0.06 in [1.52 mm]
 Repeated Minimum Bend Radius 0.1 in [2.54 mm]

Mini SMP Male to Mini SMP Male VITA
67.3 Cable Using PE-P047HF Coax



PE3C10829

Connectors

Description	Connector 1	Connector 2
Type	Mini SMP Male	Mini SMP Male
Impedance	50 Ohms	50 Ohms
Configuration	Straight	Straight
Mating Cycles	500	500
Contact Material and Plating	Beryllium Copper, Gold	Beryllium Copper, Gold
Contact Plating Specification	ASTM B488	ASTM B488
Dielectric Type	PEI	PEI
Body Material and Plating	Brass, Gold	Brass, Gold
Body Plating Specification	ASTM B488	ASTM B488

Environmental Specifications

Operating Range Temperature -55 to +125 deg C

Compliance Certifications (see [product page](#) for current document)

Plotted and Other Data

Notes:

Mini SMP Male to Mini SMP Male VITA 67.3 Cable Using PE-P047HF Coax



PE3C10829

Typical Performance Data

How to Order

Part Number Configuration:

PE3C10829

- **xx**

uu

Unit of Measure:

cm = Centimeters

<blank> = Inches

Length

Base Number

Example: PE3C10829-12 = 12 inches long cable
PE3C10829-100cm = 100 cm long cable

Mini SMP Male to Mini SMP Male VITA 67.3 Cable Using PE-P047HF Coax from Pasternack Enterprises has same day shipment for domestic and International orders. Our RF, microwave and millimeter wave products maintain a 99.4% availability and are part of the broadest selection in the industry.

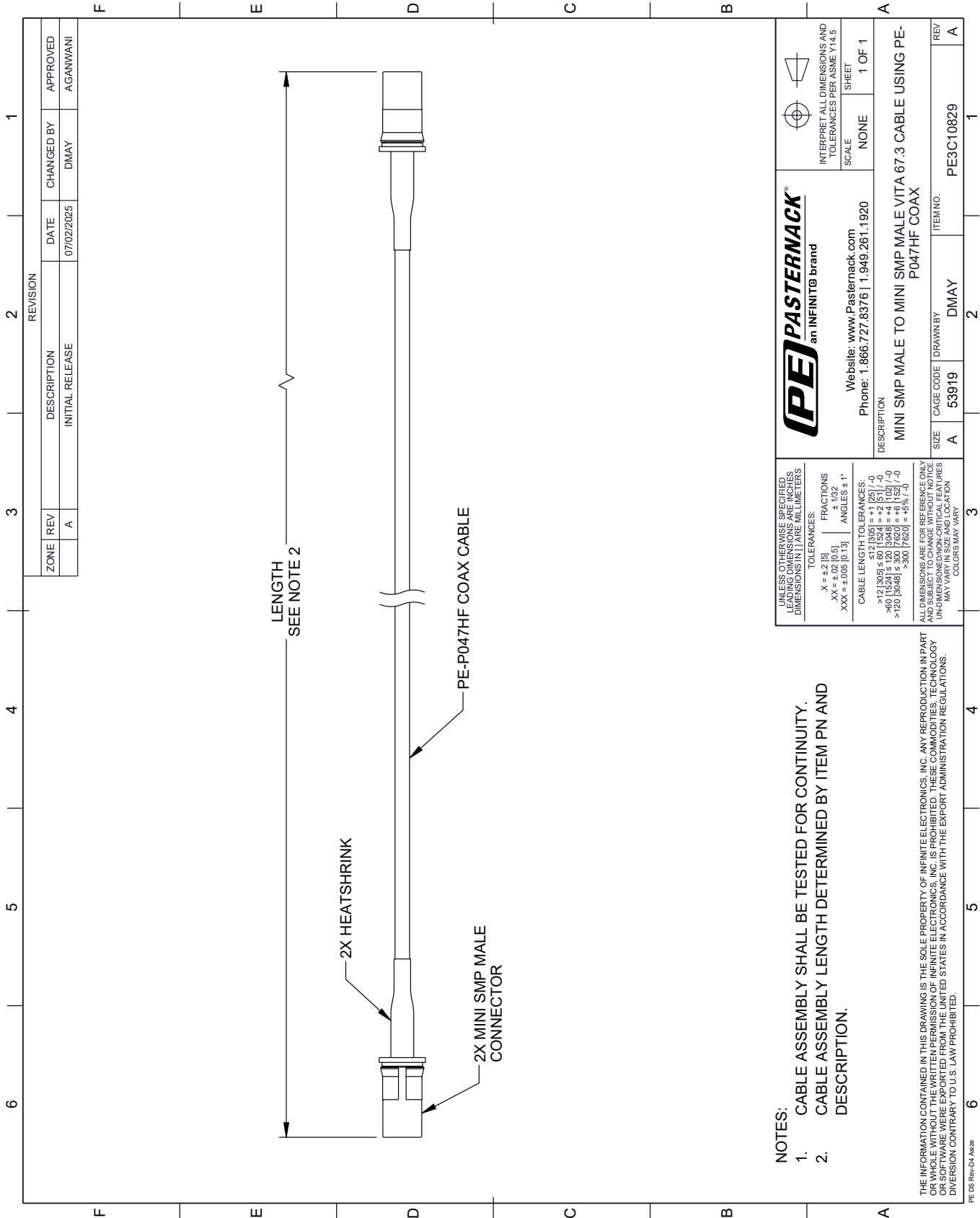
Click the following link (or enter part number in "SEARCH" on website) to obtain additional part information including price, inventory and certifications: [Mini SMP Male to Mini SMP Male VITA 67.3 Cable Using PE-P047HF Coax PE3C10829](#)

URL: <https://www.pasternack.com/mini-smp-male-to-mini-smp-male-vita-67.3-cable-using-pe-p047hf-pe3c10829-p.aspx>

The information contained within this document is accurate to the best of our knowledge and representative of the part described herein. It may be necessary to make modifications to the part and/or the documentation of the part in order to implement improvements. Pasternack Enterprises reserves the right to make such changes as required. Unless otherwise stated, all specifications are nominal. Pasternack Enterprises does not make any representation or warranty regarding the suitability of the part described herein for any particular purpose, and Pasternack Enterprises does not assume liability arising out of the use of any part or document.

PE3C10829 CAD Drawing

Mini SMP Male to Mini SMP Male VITA 67.3 Cable Using PE-P047HF Coax



NOTES:

1. CABLE ASSEMBLY SHALL BE TESTED FOR CONTINUITY.
2. CABLE ASSEMBLY LENGTH DETERMINED BY ITEM PN AND DESCRIPTION.

THE INFORMATION CONTAINED IN THIS DRAWING IS THE SOLE PROPERTY OF INFINITE ELECTRONICS, INC. ANY REPRODUCTION IN PART OR WHOLE WITHOUT THE WRITTEN PERMISSION OF INFINITE ELECTRONICS, INC. IS PROHIBITED. THESE COMMODITIES, TECHNOLOGY OR SERVICES ARE BEING EXPORTED FROM THE UNITED STATES IN ACCORDANCE WITH THE EXPORT ADMINISTRATION REGULATIONS. DIVERSION CONTRARY TO U.S. LAW PROHIBITED.

UNLESS OTHERWISE SPECIFIED, LEADING DIMENSIONS ARE IN INCHES. DIMENSIONS IN [] ARE MILLIMETERS.

TOLERANCES:
 .X = ±.2 [5]
 .XX = ±.02 [0.5]
 .XXX = ±.005 [0.13]

FRACTIONS:
 ± 1/32
 ANGLES ± 1°

CABLE LENGTH TOLERANCES:
 >12 [305] ≤ 60 [1524] = ±1 [25] / -0
 >60 [1524] ≤ 120 [3048] = ±4 [102] / -0
 >120 [3048] ≤ 300 [7620] = ±5% / -0

ALL DIMENSIONS ARE FOR REFERENCE ONLY. UNDIMENSIONED NON-CRITICAL FEATURES MAY VARY IN SIZE AND LOCATION. COLORS MAY VARY.

(PE) PASTERNAK®
 an INFINITO brand

Website: www.Pasternack.com
 Phone: 1.866.727.8376 | 1.949.261.1920

INTERPRET ALL DIMENSIONS AND TOLERANCES PER ASME Y14.5

SCALE: NONE
 SHEET: 1 OF 1

DESCRIPTION: MINI SMP MALE TO MINI SMP MALE VITA 67.3 CABLE USING PE-P047HF COAX

SIZE	CAGE CODE	DRAWN BY	ITEM NO.
A	53919	DMAY	PE3C10829

REV: A