



Reverse Polarity SMA Plug to N Female Bulkhead Low Loss Cable Using LMR-195 Coax

TECHNICAL DATA SHEET

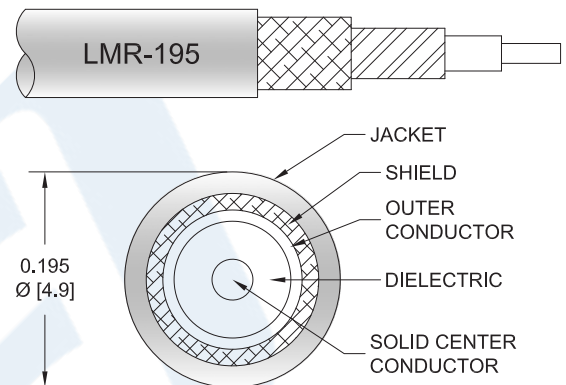
PE3C1484

Configuration

- Connector 1: SMA Plug Reverse Polarity
- Connector 2: N Female Bulkhead
- Cable Type: LMR-195
- Coax Flex Type: Flexible

Features

- Max Frequency 5.8 GHz
- Shielding Effectivity > 90 dB
- 80% Phase Velocity
- Double Shielded
- PE Jacket



Applications

- General Purpose
- Laboratory Use

Description

Pasternack's PE3C1484 reverse polarity SMA plug to type N female bulkhead cable using LMR-195 coax is part of our full line of RF components available for same-day shipping. Pasternack's flexible RF cable assemblies are ideal for applications where tight bends and flexure are required. This Pasternack reverse polarity SMA to type N cable assembly has a plug to female gender configuration with 50 ohm flexible LMR-195 coax. The PE3C1484 reverse polarity SMA plug to type N female cable assembly operates to 5.8 GHz. Our RF cable assembly with type N bulkhead interface allows designers to create external connections on their product enclosures, and can be used in a variety of other rack mount and panel mount applications. The double shielding of this Pasternack cable assembly provides excellent shielding effectiveness of better than 90 dB.

Custom versions of most RF cable assemblies can be built and shipped same day. Custom cable assembly lengths can be obtained by specifying the desired length on the web site at time of order or by contacting a sales representative. Other available RF cable assembly value added services include connector orientation or clocking, heat shrink booting and custom labeling. RF testing can also be performed to document the electrical performance of your cable assembly.

Click the following link (or enter part number in "SEARCH" on website) to obtain additional part information including price, inventory and certifications: [Reverse Polarity SMA Plug to N Female Bulkhead Low Loss Cable Using LMR-195 Coax PE3C1484](#)



Reverse Polarity SMA Plug to N Female Bulkhead Low Loss Cable Using LMR-195 Coax

TECHNICAL DATA SHEET

PE3C1484

Electrical Specifications

Description	Minimum	Typical	Maximum	Units
Frequency Range	DC		5.8	GHz
VSWR			1.4:1	
Velocity of Propagation		80		%
RF Shielding	90			dB
Group Delay		1.27 [4.17]		ns/ft [ns/m]
Capacitance		25.4 [83.33]		pF/ft [pF/m]
Inductance		0.064 [0.21]		uH/ft [uH/m]
DC Resistance Inner Conductor		7.6 [24.93]		Ω /1000ft [Ω /Km]
DC Resistance Outer Conductor		4.9 [16.08]		Ω /1000ft [Ω /Km]
Jacket Spark			3,000	Vrms

Specifications by Frequency

Part Number	Length	Description	F1	F2	F3	F4	F5	Units	Weight (lbs)
		Frequency	250	500	1000	2500	5800	MHz	
PE3C1484	Custom Lengths Available	Insertion Loss (Typ.)	0.06	0.08	0.12	0.19	0.3	dB/ft	
			0.19	0.27	0.39	0.63	0.99	dB/m	
PE3C1484-12	12 inch	Insertion Loss (Typ.)	0.26	0.29	0.32	0.39	0.5	dB	0.125
PE3C1484-24	24 inch	Insertion Loss (Typ.)	0.32	0.37	0.44	0.58	0.8	dB	0.148
PE3C1484-36	36 inch	Insertion Loss (Typ.)	0.38	0.45	0.55	0.77	1.1	dB	0.17
PE3C1484-48	48 inch	Insertion Loss (Typ.)	0.43	0.53	0.67	0.96	1.4	dB	0.192
PE3C1484-60	60 inch	Insertion Loss (Typ.)	0.49	0.61	0.78	1.15	1.7	dB	0.214

The insertion loss data for the base model does not include loss due to the connectors. Each length includes insertion loss due to the connectors.

Loss due to Connector 1:	0.1 dB
Loss due to Connector 2:	0.1 dB
Base Weight:	0.125 pounds
Additional Weight per Inch:	0.00184 pounds

Mechanical Specifications

Cable Assembly

Weight 0.125 lbs [56.7 g]

Click the following link (or enter part number in "SEARCH" on website) to obtain additional part information including price, inventory and certifications: [Reverse Polarity SMA Plug to N Female Bulkhead Low Loss Cable Using LMR-195 Coax PE3C1484](#)



Reverse Polarity SMA Plug to N Female Bulkhead Low Loss Cable Using LMR-195 Coax

TECHNICAL DATA SHEET

PE3C1484

Cable

Cable Type	LMR-195
Impedance	50 Ohms
Inner Conductor Type	Solid
Inner Conductor Material and Plating	Copper
Dielectric Type	PE (F)
Number of Shields	2
Shield Layer 1	Aluminum Tape
Shield Layer 2	Tinned Copper Braid
Jacket Material	PE, Black
Jacket Diameter	0.195 in [4.95 mm]
One Time Minimum Bend Radius	0.5 in [12.7 mm]
Repeated Minimum Bend Radius	2 in [50.8 mm]
Bending Moment	0.2 lbs-ft [0.27 N-m]
Flat Plate Crush	15 lbs/in [0.27 Kg/mm]
Tensile Strength	40 lbs [18.14 Kg]

Connectors

Description	Connector 1	Connector 2
Type	SMA Plug Reverse Polarity Threaded	N Female Bulkhead Threaded
Impedance	50 Ohms	50 Ohms
Contact Material and Plating	Beryllium Copper, Gold	Phosphor Bronze, Gold
Contact Plating Specification	QQ-C-530	
Dielectric Type	PTFE	PTFE
Body Material and Plating	Brass, Nickel	Brass, Tri-Metal
Body Plating Specification	QQ-B-626	
Coupling Nut Material and Plating	Brass, Nickel	
Coupling Nut Plating Specification	QQ-B-626	

Environmental Specifications

Temperature

Operating Range -40 to +85 deg C

Compliance Certifications (see [product page](#) for current document)

Plotted and Other Data

Notes:

- Values at 25°C, sea level.

Click the following link (or enter part number in "SEARCH" on website) to obtain additional part information including price, inventory and certifications: [Reverse Polarity SMA Plug to N Female Bulkhead Low Loss Cable Using LMR-195 Coax PE3C1484](#)



Reverse Polarity SMA Plug to N Female Bulkhead Low Loss Cable Using LMR-195 Coax

TECHNICAL DATA SHEET

PE3C1484

How to Order

Part Number Configuration:

PE3C1484

- **xx**

uu

Unit of Measure:

cm = Centimeters

<blank> = Inches

Length

Base Number

Example: PE3C1484-12 = 12 inches long cable
PE3C1484-100cm = 100 cm long cable

Reverse Polarity SMA Plug to N Female Bulkhead Low Loss Cable Using LMR-195 Coax from Pasternack Enterprises has same day shipment for domestic and International orders. Our RF, microwave and millimeter wave products maintain a 99.4% availability and are part of the broadest selection in the industry.

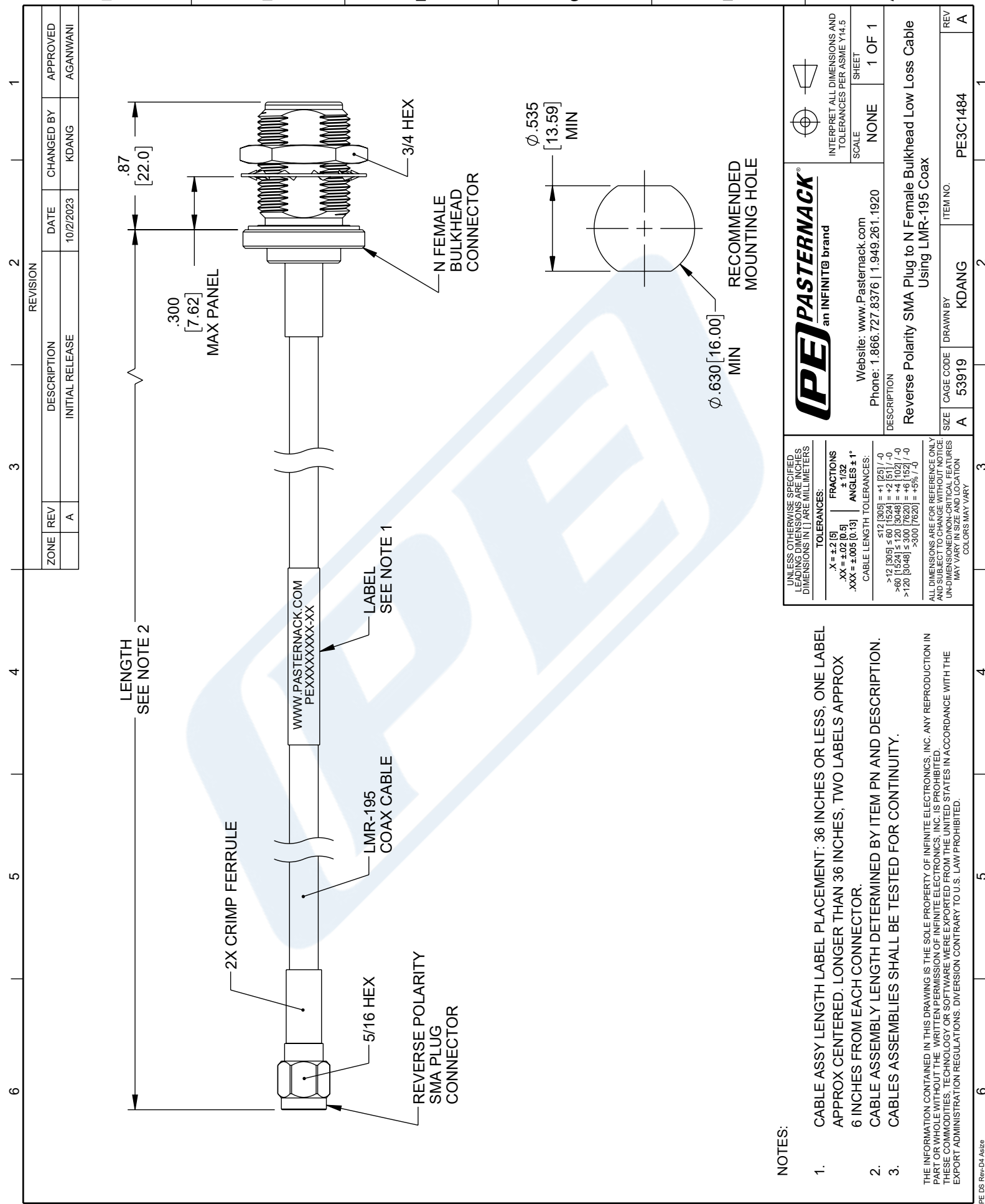
Click the following link (or enter part number in "SEARCH" on website) to obtain additional part information including price, inventory and certifications: [Reverse Polarity SMA Plug to N Female Bulkhead Low Loss Cable Using LMR-195 Coax PE3C1484](#)

URL: <https://www.pasternack.com/reverse-polarity-sma-plug-to-n-female-bulkhead-low-loss-cable-using-lmr-195-pe3c1484-p.aspx>

The information contained in this document is accurate to the best of our knowledge and representative of the part described herein. It may be necessary to make modifications to the part and/or the documentation of the part, in order to implement improvements. Pasternack reserves the right to make such changes as required. Unless otherwise stated, all specifications are nominal. Pasternack does not make any representation or warranty regarding the suitability of the part described herein for any particular purpose, and Pasternack does not assume any liability arising out of the use of any part or documentation.

PE3C1484 CAD Drawing

Reverse Polarity SMA Plug to N Female Bulkhead Low Loss Cable Using LMR-195 Coax



REVISION		DATE	CHANGED BY	APPROVED
ZONE	REV	DESCRIPTION		
	A	INITIAL RELEASE	KDANG	AGANWANI

UNLESS OTHERWISE SPECIFIED LEADING DIMENSIONS ARE IN INCHES DIMENSIONS IN [] ARE MILLIMETERS	
TOLERANCES:	
.X = ±.02 [0.5]	FRACTIONS ± 1/32
.XX = ±.005 [0.13]	ANGLES ± 1°
CABLE LENGTH TOLERANCES:	
<12 [305]	±.125 [1.27] / -0
>12 [305] ≤ 60 [1524]	±.25 [1.27] / -0
>60 [1524] ≤ 120 [3048]	±.5 [1.27] / -0
>120 [3048]	±.75 [1.93] / -0
>300 [7620]	±.938 [1.93] / -0
ALL DIMENSIONS ARE FOR REFERENCE ONLY AND SUBJECT TO CHANGE WITHOUT NOTICE UNLESS INDICATED OTHERWISE. DIMENSIONS MAY VARY IN SIZE AND LOCATION COLORS MAY VARY	

PE PASTERNAK an INFINITI [®] brand		INTERPRET ALL DIMENSIONS AND TOLERANCES PER ASME Y14.5	
Website: www.Pasternack.com Phone: 1.866.727.8376 1.949.261.1920		SCALE	SHEET
Reverse Polarity SMA Plug to N Female Bulkhead Low Loss Cable Using LMR-195 Coax		NONE	1 OF 1
DESCRIPTION	REVERSE POLARITY SMA PLUG TO N FEMALE BULKHEAD LOW LOSS CABLE USING LMR-195 COAX	ITEM NO.	REV
SIZE	A	CABLE CODE	PE3C1484
DRAWN BY	KDANG		A

- NOTES:
- CABLE ASSY LENGTH LABEL PLACEMENT: 36 INCHES OR LESS, ONE LABEL APPROX CENTERED. LONGER THAN 36 INCHES, TWO LABELS APPROX 6 INCHES FROM EACH CONNECTOR.
 - CABLE ASSEMBLY LENGTH DETERMINED BY ITEM PN AND DESCRIPTION.
 - CABLES ASSEMBLIES SHALL BE TESTED FOR CONTINUITY.
- THE INFORMATION CONTAINED IN THIS DRAWING IS THE SOLE PROPERTY OF INFINITE ELECTRONICS, INC. ANY REPRODUCTION IN PART OR WHOLE WITHOUT THE WRITTEN PERMISSION OF INFINITE ELECTRONICS, INC. IS PROHIBITED. THESE COMMODITIES, TECHNOLOGY OR SOFTWARE WERE EXPORTED FROM THE UNITED STATES IN ACCORDANCE WITH THE EXPORT ADMINISTRATION REGULATIONS. DIVERSION CONTRARY TO U.S. LAW PROHIBITED.