

## N Male to N Male Low Loss Cable Using LMR-240-UF Coax with Times Microwave Components



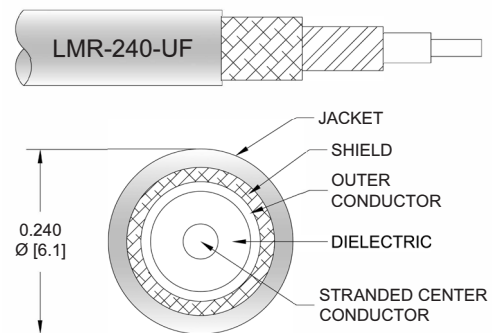
### PE3C1737

#### Configuration

- Connector 1: N Male
- Connector 2: N Male
- Cable Type: LMR-240-UF
- Coax Flex Type: Flexible

#### Features

- Max Frequency 6 GHz
- Shielding Effectivity > 90 dB
- 84% Phase Velocity
- Double Shielded
- TPE Jacket



#### Applications

- General Purpose
- Laboratory Use

#### Description

Pasternack's PE3C1737 type N male to type N male cable using LMR-240-UF coax is part of our full line of RF components available for same-day shipping. Pasternack's flexible RF cable assemblies are ideal for applications where tight bends and flexure are required. This Pasternack type N to type N cable assembly has a male to male gender configuration with 50 ohm flexible LMR-240-UF coax. The PE3C1737 type N male to type N male cable assembly operates to 6 GHz. The double shielding of this Pasternack cable assembly provides excellent shielding effectiveness of better than 90 dB.

Custom versions of most RF cable assemblies can be built and shipped same day. Custom cable assembly lengths can be obtained by specifying the desired length on the web site at time of order or by contacting a sales representative. Other available RF cable assembly value added services include connector orientation or clocking, heat shrink booting and custom labeling. RF testing can also be performed to document the electrical performance of your cable assembly.

#### Electrical Specifications

Description	Minimum	Typical	Maximum	Units
Frequency Range	DC		6	GHz
VSWR			1.3:1	
Velocity of Propagation		84		%
RF Shielding	90			dB
Group Delay		1.21 [3.97]		ns/ft [ns/m]
Capacitance		24.2 [79.4]		pF/ft [pF/m]
Inductance		0.06 [0.2]		uH/ft [uH/m]
DC Resistance Inner Conductor		4.28 [14.04]		Ohms/1000ft [Ohms/Km]
DC Resistance Outer Conductor		3.89 [12.76]		Ohms/1000ft [Ohms/Km]
Dielectric Withstanding Voltage (AC)			750	Vrms

## N Male to N Male Low Loss Cable Using LMR-240-UF Coax with Times Microwave Components



### PE3C1737

#### Electrical Specifications

Description	Minimum	Typical	Maximum	Units
Jacket Spark			5,000	Vrms

#### Specifications by Frequency

Part Number	Length	Description	F1	F2	F3	F4	F5	Units	Weight (lbs)
			Frequency					MHz	
PE3C1737	Custom Lengths Available	Insertion Loss (Typ.)	0.046	0.066	0.096	0.155	0.212	dB/ft	
			0.16	0.22	0.32	0.51	0.7	dB/m	
PE3C1737-12	12 Inch	Insertion Loss (Typ.)	0.25	0.27	0.3	0.36	0.42	dB	0.206
PE3C1737-24	24 Inch	Insertion Loss (Typ.)	0.3	0.34	0.4	0.51	0.63	dB	0.239
PE3C1737-36	36 Inch	Insertion Loss (Typ.)	0.34	0.4	0.49	0.67	0.84	dB	0.271
PE3C1737-60	60 Inch	Insertion Loss (Typ.)	0.43	0.53	0.68	0.98	1.26	dB	0.335
PE3C1737-300	300 Inch	Insertion Loss (Typ.)	1.35	1.85	2.6	4.08	5.5	dB	0.975

The insertion loss data for the base model does not include loss due to the connectors. Each length includes insertion loss due to the connectors.

Loss due to Connector 1:	0.1 dB
Loss due to Connector 2:	0.1 dB
Base Weight:	0.206 pounds
Additional Weight per Inch:	0.00267 pounds

Electrical Specification Notes:  
Values at 25°C, sea level.

#### Mechanical Specifications

##### Cable Assembly

Width/Diameter	0.5 in [12.7 mm]
Weight	0.174 lbs [78.93 g]

##### Cable

Cable Type	LMR-240-UF
Impedance	50 Ohms
Inner Conductor Type	Stranded
Inner Conductor Material and Plating	Copper
Dielectric Type	PE (F)
Number of Shields	2
Shield Layer 1	Aluminum Tape
Shield Layer 2	Tinned Copper Braid
Jacket Material	TPE, Black
Jacket Diameter	0.24 in [6.1 mm]
One Time Minimum Bend Radius	0.75 in [19.05 mm]
Repeated Minimum Bend Radius	2.5 in [63.5 mm]
Bending Moment	0.13 lbs-ft [0.18 N-m]
Flat Plate Crush	13 lbs/in [0.23 Kg/mm]
Tensile Strength	80 lbs [36.29 Kg]

## N Male to N Male Low Loss Cable Using LMR-240-UF Coax with Times Microwave Components



### PE3C1737

#### Connectors

Description	Connector 1	Connector 2
Type	N Male	N Male
Specification	MIL-STD-348	MIL-STD-348
Impedance	50 Ohms	50 Ohms
Configuration	Straight	Straight
Contact Material and Plating	Brass, Gold	Brass, Gold
Dielectric Type	PTFE	PTFE
Body Material and Plating	Brass, Tri-Metal	Brass, Tri-Metal
Coupling Nut Material and Plating	Brass, Tri-Metal	Brass, Tri-Metal

#### Environmental Specifications

Operating Range Temperature -40 to +85 deg C

**Compliance Certifications** (see [product page](#) for current document)

#### Plotted and Other Data

Notes:  
Values at 25°C, sea level.

## N Male to N Male Low Loss Cable Using LMR-240-UF Coax with Times Microwave Components



### PE3C1737

#### Typical Performance Data

#### How to Order

Part Number Configuration:

**PE3C1737**

- **xx**

**uu**

Unit of Measure:

cm = Centimeters

<blank> = Inches

Length

Base Number

Example: PE3C1737-12 = 12 inches long cable  
PE3C1737-100cm = 100 cm long cable

N Male to N Male Low Loss Cable Using LMR-240-UF Coax with Times Microwave Components from Pasternack Enterprises has same day shipment for domestic and International orders. Our RF, microwave and millimeter wave products maintain a 99.4% availability and are part of the broadest selection in the industry.

Click the following link (or enter part number in "SEARCH" on website) to obtain additional part information including price, inventory and certifications: [N Male to N Male Low Loss Cable Using LMR-240-UF Coax with Times Microwave Components PE3C1737](#)

URL: <https://www.pasternack.com/n-male-to-n-male-low-loss-cable-using-lmr-240-uf-pe3c1737-p.aspx>

The information contained within this document is accurate to the best of our knowledge and representative of the part described herein. It may be necessary to make modifications to the part and/or the documentation of the part in order to implement improvements. Pasternack Enterprises reserves the right to make such changes as required. Unless otherwise stated, all specifications are nominal. Pasternack Enterprises does not make any representation or warranty regarding the suitability of the part described herein for any particular purpose, and Pasternack Enterprises does not assume liability arising out of the use of any part or document.

# PE3C1737 CAD Drawing

N Male to N Male Low Loss Cable Using LMR-240-UF Coax with Times Microwave Components

