



MMCX Plug to BNC Male Low Loss Cable Using LMR-100 Coax

TECHNICAL DATA SHEET

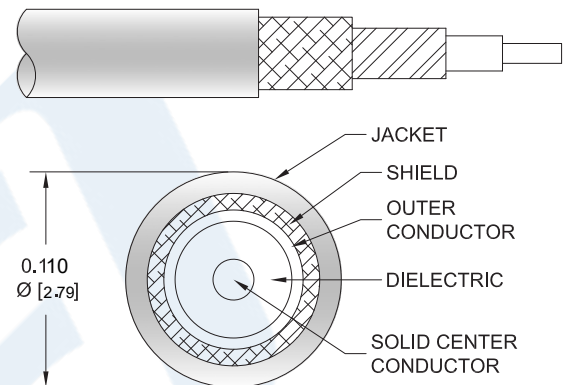
PE3C1792

Configuration

- Connector 1: MMCX Plug
- Connector 2: BNC Male
- Cable Type: LMR-100A
- Coax Flex Type: Flexible

Features

- Max Frequency 3 GHz
- Shielding Effectivity > 90 dB
- 66% Phase Velocity
- Double Shielded
- PVC Jacket



Applications

- General Purpose
- Laboratory Use

Description

Pasternack's PE3C1792 MMCX plug to BNC male cable using LMR-100 coax is part of our full line of RF components available for same-day shipping. Pasternack's flexible RF cable assemblies are ideal for applications where tight bends and flexure are required. This Pasternack MMCX to BNC cable assembly has a plug to male gender configuration with 50 ohm flexible LMR-100A coax. The PE3C1792 MMCX plug to BNC male cable assembly operates to 3 GHz. The double shielding of this Pasternack cable assembly provides excellent shielding effectiveness of better than 90 dB.

Custom versions of most RF cable assemblies can be built and shipped same day. Custom cable assembly lengths can be obtained by specifying the desired length on the web site at time of order or by contacting a sales representative. Other available RF cable assembly value added services include connector orientation or clocking, heat shrink booting and custom labeling. RF testing can also be performed to document the electrical performance of your cable assembly.

Click the following link (or enter part number in "SEARCH" on website) to obtain additional part information including price, inventory and certifications: [MMCX Plug to BNC Male Low Loss Cable Using LMR-100 Coax PE3C1792](#)



MMCX Plug to BNC Male Low Loss Cable Using LMR-100 Coax

TECHNICAL DATA SHEET

PE3C1792

Electrical Specifications

Description	Minimum	Typical	Maximum	Units
Frequency Range	DC		3	GHz
VSWR			1.4:1	
Velocity of Propagation		66		%
RF Shielding	90			dB
Group Delay		1.54 [5.05]		ns/ft [ns/m]
Capacitance		30.8 [101.05]		pF/ft [pF/m]
Inductance		0.077 [0.25]		uH/ft [uH/m]
DC Resistance Inner Conductor		81 [265.75]		Ω /1000ft [Ω /Km]
DC Resistance Outer Conductor		9.5 [31.17]		Ω /1000ft [Ω /Km]
Jacket Spark			2,000	Vrms

Specifications by Frequency

Part Number	Length	Description	F1	F2	F3	F4	F5	Units	Weight (lbs)
			Frequency						
PE3C1792	Custom Lengths Available	Insertion Loss (Typ.)	0.06	0.12	0.17	0.24	0.43	dB/ft	
			0.21	0.38	0.55	0.79	1.42	dB/m	
PE3C1792-24	24 inch	Insertion Loss (Typ.)	0.33	0.43	0.53	0.68	1.07	dB	0.052
PE3C1792-36	36 inch	Insertion Loss (Typ.)	0.4	0.55	0.7	0.92	1.5	dB	0.061
PE3C1792-48	48 inch	Insertion Loss (Typ.)	0.46	0.66	0.86	1.16	1.93	dB	0.07
PE3C1792-100CM	100 cm	Insertion Loss (Typ.)	0.41	0.58	0.75	0.99	1.62	dB	0.064
PE3C1792-200CM	200 cm	Insertion Loss (Typ.)	0.62	0.96	1.29	1.78	3.04	dB	0.094

The insertion loss data for the base model does not include loss due to the connectors. Each length includes insertion loss due to the connectors.

Loss due to Connector 1:	0.1 dB
Loss due to Connector 2:	0.1 dB
Base Weight:	0.043 pounds
Additional Weight per Inch:	0.00075 pounds

Mechanical Specifications

Cable Assembly

Weight 0.043 lbs [19.5 g]

Click the following link (or enter part number in "SEARCH" on website) to obtain additional part information including price, inventory and certifications: [MMCX Plug to BNC Male Low Loss Cable Using LMR-100 Coax PE3C1792](#)



MMCX Plug to BNC Male Low Loss Cable Using LMR-100 Coax

TECHNICAL DATA SHEET

PE3C1792

Cable

Cable Type	LMR-100A
Impedance	50 Ohms
Inner Conductor Type	Solid
Inner Conductor Material and Plating	Copper Clad Steel
Dielectric Type	PE
Number of Shields	2
Shield Layer 1	Aluminum Tape
Shield Layer 2	Tinned Copper Braid
Jacket Material	PVC, Black
Jacket Diameter	0.11 in [2.79 mm]
One Time Minimum Bend Radius	0.25 in [6.35 mm]
Repeated Minimum Bend Radius	1 in [25.4 mm]
Bending Moment	0.1 lbs-ft [0.14 N-m]
Flat Plate Crush	10 lbs/in [0.18 Kg/mm]
Tensile Strength	15 lbs [6.8 Kg]

Connectors

Description	Connector 1	Connector 2
Type	MMCX Plug Push-On	BNC Male Threaded
Specification	BS EN 122340	MIL-STD-348A
Impedance	50 Ohms	50 Ohms
Contact Material and Plating	Brass, Gold	Brass, Gold
Contact Plating Specification	30 µin minimum	50 µin minimum
Dielectric Type	PTFE	PTFE
Outer Conductor Material and Plating	Brass, Gold	
Outer Conductor Plating Specification	3 µin minimum	
Body Material and Plating	Brass, Gold	Brass, Nickel
Body Plating Specification	3 µin minimum	100 µin minimum
Coupling Nut Material and Plating		Brass, Nickel
Coupling Nut Plating Specification		100 µin minimum

Environmental Specifications

Temperature

Operating Range -40 to +85 deg C

Click the following link (or enter part number in "SEARCH" on website) to obtain additional part information including price, inventory and certifications: [MMCX Plug to BNC Male Low Loss Cable Using LMR-100 Coax PE3C1792](#)



MMCX Plug to BNC Male Low Loss Cable Using LMR-100 Coax

TECHNICAL DATA SHEET

PE3C1792

Compliance Certifications (see [product page](#) for current document)

Plotted and Other Data

Notes:

- Values at 25°C, sea level.

How to Order

Part Number Configuration:

PE3C1792 - xx uu

Unit of Measure:
cm = Centimeters
<blank> = Inches
Length
Base Number

Example: PE3C1792-12 = 12 inches long cable
PE3C1792-100cm = 100 cm long cable

MMCX Plug to BNC Male Low Loss Cable Using LMR-100 Coax from Pasternack Enterprises has same day shipment for domestic and International orders. Our RF, microwave and millimeter wave products maintain a 99.4% availability and are part of the broadest selection in the industry.

Click the following link (or enter part number in "SEARCH" on website) to obtain additional part information including price, inventory and certifications: [MMCX Plug to BNC Male Low Loss Cable Using LMR-100 Coax PE3C1792](#)

URL: <https://www.pasternack.com/mmcx-plug-to-bnc-male-low-loss-cable-using-lmr-100-pe3c1792-p.aspx>

The information contained in this document is accurate to the best of our knowledge and representative of the part described herein. It may be necessary to make modifications to the part and/or the documentation of the part, in order to implement improvements. Pasternack reserves the right to make such changes as required. Unless otherwise stated, all specifications are nominal. Pasternack does not make any representation or warranty regarding the suitability of the part described herein for any particular purpose, and Pasternack does not assume any liability arising out of the use of any part or documentation.

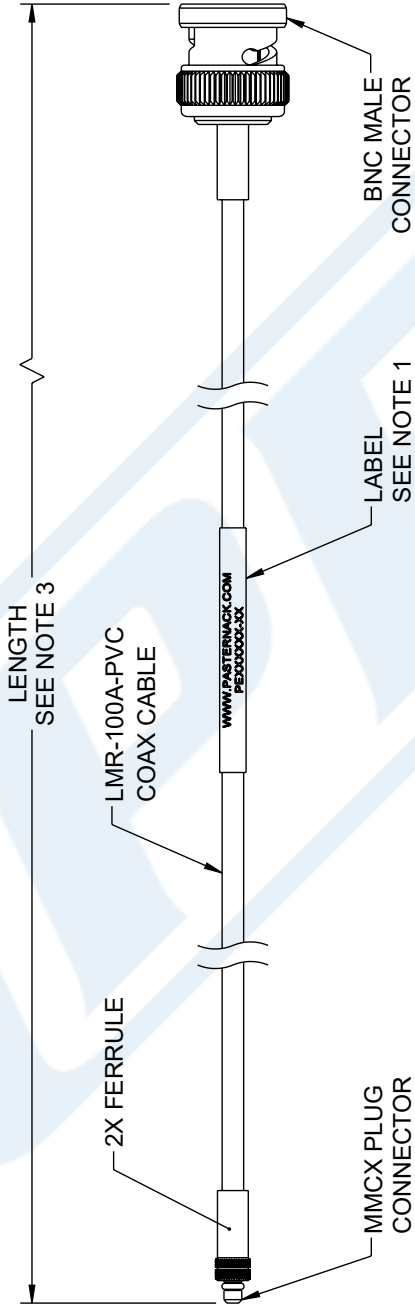
PE3C1792 CAD Drawing

MMCX Plug to BNC Male Low Loss Cable Using LMR-100 Coax

F E D C B A

1 2 3 4 5 6

REVISION			
ZONE	REV	DESCRIPTION	DATE
	A	INITIAL RELEASE	09/27/2023
			CHANGED BY HBAKKE
			APPROVED AGANWANI



NOTES:

1. CABLE ASSEMBLY LENGTH LABEL PLACEMENT:
36 INCHES OR LESS, ONE LABEL APPROXIMATELY CENTERED.
LONGER THAN 36 INCHES, TWO LABELS APPROXIMATELY 6 INCHES FROM EACH CONNECTOR.
2. CABLE ASSEMBLIES SHALL BE TESTED FOR CONTINUITY.
3. CABLE ASSEMBLY LENGTH DETERMINED BY ITEM PN AND DESCRIPTION.

THE INFORMATION CONTAINED IN THIS DRAWING IS THE SOLE PROPERTY OF INFINITE ELECTRONICS, INC. ANY REPRODUCTION IN PART OR WHOLE WITHOUT THE WRITTEN PERMISSION OF INFINITE ELECTRONICS, INC. IS PROHIBITED. THESE COMMODITIES, TECHNOLOGY OR SOFTWARE WERE EXPORTED FROM THE UNITED STATES IN ACCORDANCE WITH THE EXPORT ADMINISTRATION REGULATIONS. DIVERSION CONTRARY TO U.S. LAW PROHIBITED.

<p>PE PASTERNAK an INFINIT@ brand</p> <p>Website: www.Pasternack.com Phone: 1.866.727.8376 1.949.261.1920</p>	<p>INTERPRET ALL DIMENSIONS AND TOLERANCES PER ASME Y14.5</p>
	<p>SCALE: NONE</p> <p>SHEET: 1 OF 1</p>
<p>DESCRIPTION: MMCX PLUG TO BNC MALE LOW LOSS CABLE USING LMR-100 COAX</p>	
<p>SIZE: A</p> <p>CAGE CODE: 53919</p> <p>DRAWN BY: HBAKKE</p>	<p>ITEM NO.: PE3C1792</p> <p>REV: A</p>

UNLESS OTHERWISE SPECIFIED LEADING DIMENSIONS ARE IN INCHES DIMENSIONS IN [] ARE MILLIMETERS

TOLERANCES:	FRACTIONS	ANGLES ± 1°
.X = ± 0.015	± 1/32	
.XX = ± 0.005 (0.13)		
.XXX = ± 0.005 (0.13)		
CABLE LENGTH TOLERANCES:		
<12 [305]	± 1 [25] / -0	
>12 [305] ≤ 60 [1524]	± 2 [51] / -0	
>60 [1524] ≤ 120 [3048]	± 4 [102] / -0	
>120 [3048] ≤ 300 [7620]	± 6 [152] / -0	
>300 [7620]	± 8 [203] / -0	

ALL DIMENSIONS ARE FOR REFERENCE ONLY UNLESS OTHERWISE SPECIFIED. UNDIMENSIONED NON-CRITICAL FEATURES MAY VARY IN SIZE AND LOCATION. COLORS MAY VARY.

L U D C B A