

SMA Male to SMA Male Low Loss Cable 72 Inch Length Using PE-P195 Coax with Times Microwave Connectors



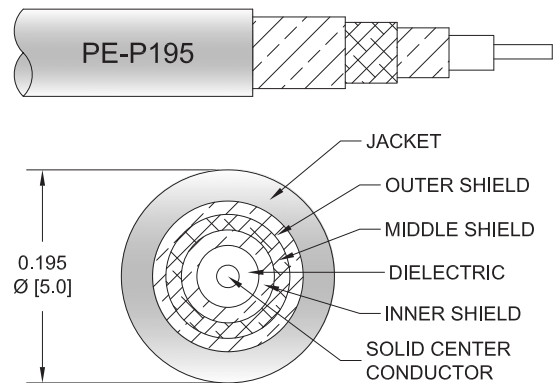
PE3C1951-72

Configuration

- Connector 1: SMA Male
- Connector 2: SMA Male
- Cable Type: PE-P195
- Coax Flex Type: Flexible

Features

- Max Frequency 8 GHz
- Triple Shielded
- FEP Jacket



Applications

- General Purpose
- Laboratory Use

Description

Pasternack's PE3C1951-72 SMA male to SMA male 72 inch cable using PE-P195 coax is part of our full line of RF components available for same-day shipping. Pasternack's flexible RF cable assemblies are ideal for applications where tight bends and flexure are required. This Pasternack SMA to SMA cable assembly has a male to male gender configuration with 50 ohm flexible PE-P195 coax. The PE3C1951-72 SMA male to SMA male cable assembly operates to 8 GHz. The triple shielding of this Pasternack cable assembly provides excellent shielding effectiveness.

Custom versions of most RF cable assemblies can be built and shipped same day. Custom cable assembly lengths can be obtained by specifying the desired length on the web site at time of order or by contacting a sales representative. Other available RF cable assembly value added services include connector orientation or clocking, heat shrink booting and custom labeling. RF testing can also be performed to document the electrical performance of your cable assembly.

Electrical Specifications

Description	Minimum	Typical	Maximum	Units
Frequency Range	DC		8	GHz
Capacitance		29 [95.14]		pF/ft [pF/m]
Jacket Spark			2,000	Vrms

Specifications by Frequency

SMA Male to SMA Male Low Loss Cable 72 Inch Length Using PE-P195 Coax with Times Microwave Connectors



PE3C1951-72

Part Number	Length	Description	F1	F2	F3	F4	F5	Units	Weight (lbs)
			Frequency		500	1000	2000	4000	
PE3C1951	Custom Lengths Available	Insertion Loss (Typ.)	0.09	0.12	0.16	0.26	0.39	dB/ft	
			0.29	0.4	0.53	0.86	1.28	dB/m	
PE3C1951-12	12 inch	Insertion Loss (Typ.)	0.29	0.32	0.36	0.46	0.59	dB	0.076
PE3C1951-24	24 inch	Insertion Loss (Typ.)	0.38	0.44	0.52	0.72	0.98	dB	0.115
PE3C1951-36	36 inch	Insertion Loss (Typ.)	0.47	0.56	0.68	0.98	1.37	dB	0.153
PE3C1951-60	60 inch	Insertion Loss (Typ.)	0.64	0.8	1	1.5	2.15	dB	0.229
PE3C1951-72	72 inch	Insertion Loss (Typ.)	0.73	0.92	1.16	1.76	2.54	dB	0.267

The insertion loss data for the base model does not include loss due to the connectors. Each length includes insertion loss due to the connectors.

Loss due to Connector 1:	0.1 dB
Loss due to Connector 2:	0.1 dB
Base Weight:	0.076 pounds
Additional Weight per Inch:	0.00317 pounds

Electrical Specification Notes:

The Insertion Loss data above is based on the performance specifications of the coax and connectors used in this assembly. The Insertion Loss includes an estimated insertion loss of 0.1 dB per connector.

Mechanical Specifications

Cable Assembly

Length	72 in [182.88 cm]
Width/Diameter	0.5 in [12.7 mm]
Weight	0.267 lbs [121.11 g]

Cable

Cable Type	PE-P195
Impedance	50 Ohms
Inner Conductor Type	Solid
Inner Conductor Material and Plating	Copper Clad Steel, Silver
Dielectric Type	PTFE
Number of Shields	3
Shield Layer 1	Silver Plated Copper
Shield Layer 2	Aluminum Tape
Shield Layer 3	Silver Plated Copper Braid
Jacket Material	FEP, Tan
Jacket Diameter	0.195 in [4.95 mm]

SMA Male to SMA Male Low Loss Cable 72 Inch Length
Using PE-P195 Coax with Times Microwave Connectors



PE3C1951-72

Connectors

Description	Connector 1	Connector 2
Type	SMA Male	SMA Male
Impedance	50 Ohms	50 Ohms
Configuration	Straight	Straight
Contact Material and Plating	Brass, Gold	Brass, Gold
Contact Plating Specification	ASTM B488	ASTM B488
Dielectric Type	Teflon	Teflon
Body Material and Plating	Passivated Stainless Steel	Passivated Stainless Steel
Coupling Nut Material and Plating	Passivated Stainless Steel	Passivated Stainless Steel
Hex Size	5/16 Inch	5/16 Inch

Environmental Specifications

Compliance Certifications (see [product page](#) for current document)

Plotted and Other Data

Notes:
Values at 25°C, sea level.

SMA Male to SMA Male Low Loss Cable 72 Inch Length Using PE-P195 Coax with Times Microwave Connectors



PE3C1951-72

Typical Performance Data

How to Order

Part Number Configuration:

PE3C1951

- **xx**

uu

Unit of Measure:

cm = Centimeters

<blank> = Inches

Length

Base Number

Example: PE3C1951-12 = 12 inches long cable
PE3C1951-100cm = 100 cm long cable

SMA Male to SMA Male Low Loss Cable 72 Inch Length Using PE-P195 Coax with Times Microwave Connectors from Pasternack Enterprises has same day shipment for domestic and International orders. Our RF, microwave and millimeter wave products maintain a 99.4% availability and are part of the broadest selection in the industry.

Click the following link (or enter part number in "SEARCH" on website) to obtain additional part information including price, inventory and certifications: [SMA Male to SMA Male Low Loss Cable 72 Inch Length Using PE-P195 Coax with Times Microwave Connectors PE3C1951-72](#)

URL: <https://www.pasternack.com/sma-male-to-sma-male-cable-72-inch-length-using-pe-p195-pe3c1951-72-p.aspx>

The information contained within this document is accurate to the best of our knowledge and representative of the part described herein. It may be necessary to make modifications to the part and/or the documentation of the part in order to impliment improvements. Pasternack Enterprises reserves the right to make such changes as required. Unless otherwise stated, all specifications are nominal. Pasternack Enterprises does not make any representation or warranty regarding the suitability of the part described herein for any particular purpose, and Pasternack Enterprises does not assume liability arising out of the use of any part or document.

PE3C1951-72 CAD Drawing

SMA Male to SMA Male Low Loss Cable 72 Inch Length Using PE-P195 Coax with Times Microwave Connectors

