



## TNC Female Bulkhead to TNC Female Bulkhead Low Loss Cable Using PE-P142LL Coax, RoHS

### RF Cable Assemblies Technical Data Sheet

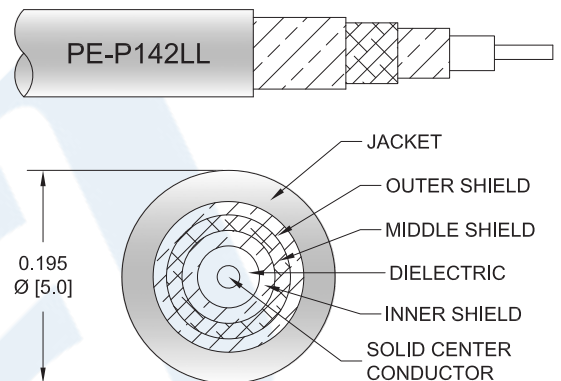
PE3C2180

#### Configuration

- Connector 1: TNC Female Bulkhead
- Connector 2: TNC Female Bulkhead
- Cable Type: PE-P142LL

#### Features

- 83% Velocity of Propagation
- Shielding effectiveness > 95 dB
- Maximum VSWR is < 1.45:1 to 18 GHz
- Minimum Bend Radius of 1 inch
- Operating Temperature range of -55 to +125°C
- ROHS and REACH Compliant
- Same day shipment of custom lengths



#### Description

The PE3C2180 series high performance test cable's 0.195 inch diameter and 83% phase velocity offer very low loss performance up to 18 GHz. The durable stainless steel connectors and FEP jacket provide a cost effective design ideal for test environments where a rugged cable assembly is required. The series is offered with Type N, TNC, and SMA connectors all rated to 18 GHz. A heavy duty boot provides improved strain relief and adds to the durability of the cable assemblies. These cable assemblies are built using a double shielded flexible cable, providing excellent shielding effectiveness of greater than 95 dB. All PE3C2180 cable assemblies are 100% Continuity, Hi-POT, and RF tested to published specifications. Custom lengths are built to order and shipped same day

#### Electrical Specifications

Description	Minimum	Typical	Maximum	Units
Frequency Range	DC		18	GHz
VSWR			1.45:1	
Return Loss	14.72			dB
Velocity of Propagation		83		%
RF Shielding	95			dB
Capacitance		25 [82.02]		pF/ft [pF/m]

Click the following link (or enter part number in "SEARCH" on website) to obtain additional part information including price, inventory and certifications: [TNC Female Bulkhead to TNC Female Bulkhead Low Loss Cable Using PE-P142LL Coax, RoHS PE3C2180](#)



TNC Female Bulkhead to TNC Female Bulkhead Low Loss Cable Using PE-P142LL Coax, RoHS

RF Cable Assemblies Technical Data Sheet

PE3C2180

**Specifications by Frequency**

Description	F1	F2	F3	F4	F5	Units
Frequency	1	2	4.5	9	18	GHz
Insertion Loss (Max.)	0.1 [0.33]	0.14 [0.46]	0.2 [0.66]	0.29 [0.95]	0.4 [1.31]	dB/ft [dB/m]
Insertion Loss (Typ.)	0.07 [0.23]	0.1 [0.33]	0.16 [0.52]	0.23 [0.75]	0.33 [1.08]	dB/ft [dB/m]

**Electrical Specification Notes:**

Insertion Loss does not include the loss of the connectors. Insertion Loss is estimated as 0.05dB x vFrequency (GHz) per connector.

**Mechanical Specifications**

**Cable Assembly**

Diameter 0.625 in [15.88 mm]  
 Weight 0.188 lbs [85.28 g]

**Cable**

Cable Type PE-P142LL  
 Impedance 50 Ohms  
 Inner Conductor Type Solid  
 Inner Conductor Material and Plating Copper, Silver  
 Dielectric Type PTFE  
 Number of Shields 3  
 Shield Layer 1 Silver Plated Copper Tape  
 Shield Layer 2 Aluminum Polyester  
 Shield Layer 3 Silver Plated Copper Wire  
 Jacket Material FEP, Green  
 Jacket Diameter 0.195 in [4.95 mm]  
 One Time Minimum Bend Radius 1 in [25.4 mm]

Click the following link (or enter part number in "SEARCH" on website) to obtain additional part information including price, inventory and certifications: [TNC Female Bulkhead to TNC Female Bulkhead Low Loss Cable Using PE-P142LL Coax, RoHS PE3C2180](#)



## TNC Female Bulkhead to TNC Female Bulkhead Low Loss Cable Using PE-P142LL Coax, RoHS

### RF Cable Assemblies Technical Data Sheet

PE3C2180

#### Connectors

Description	Connector 1	Connector 2
Type	TNC Female Bulkhead	TNC Female Bulkhead
Specification	MIL-STD-348	MIL-STD-348
Impedance	50 Ohms	50 Ohms
Contact Material and Plating	Beryllium Copper, Gold	Beryllium Copper, Gold
Contact Plating Specification	ASTM-B488, 50µ In. Minimum	ASTM-B488, 50µ In. Minimum
Dielectric Type	PEI	PEI
Outer Conductor Material and Plating	Passivated Stainless Steel	Passivated Stainless Steel
Outer Conductor Plating Specification	SAE-AMS-2700	SAE-AMS-2700
Body Material and Plating	Passivated Stainless Steel	Passivated Stainless Steel
Body Plating Specification	SAE-AMS-2700	SAE-AMS-2700

#### Environmental Specifications

##### Temperature

Operating Range -55 to +125 deg C

#### Compliance Certifications (visit [www.Pasternack.com](http://www.Pasternack.com) for current document)

RoHS Compliant Yes  
REACH Compliant 12/17/2015

#### Plotted and Other Data

##### Notes:

- Values at 25°C, sea level.

Click the following link (or enter part number in "SEARCH" on website) to obtain additional part information including price, inventory and certifications: [TNC Female Bulkhead to TNC Female Bulkhead Low Loss Cable Using PE-P142LL Coax, RoHS PE3C2180](#)



# TNC Female Bulkhead to TNC Female Bulkhead Low Loss Cable Using PE-P142LL Coax, RoHS

## RF Cable Assemblies Technical Data Sheet

PE3C2180

### How to Order

Part Number Configuration:

**PE3C2180**

- **xx**

**uu**

Unit of Measure:  
 cm = Centimeters  
 <blank> = Inches  
 Length  
 Base Number

Example: PE3C2180-12 = 12 inches long cable  
 PE3C2180-100cm = 100 cm long cable

TNC Female Bulkhead to TNC Female Bulkhead Low Loss Cable Using PE-P142LL Coax, RoHS from Pasternack Enterprises has same day shipment for domestic and International orders. Our RF, microwave and millimeter wave products maintain a 99% availability and are part of the broadest selection in the industry.

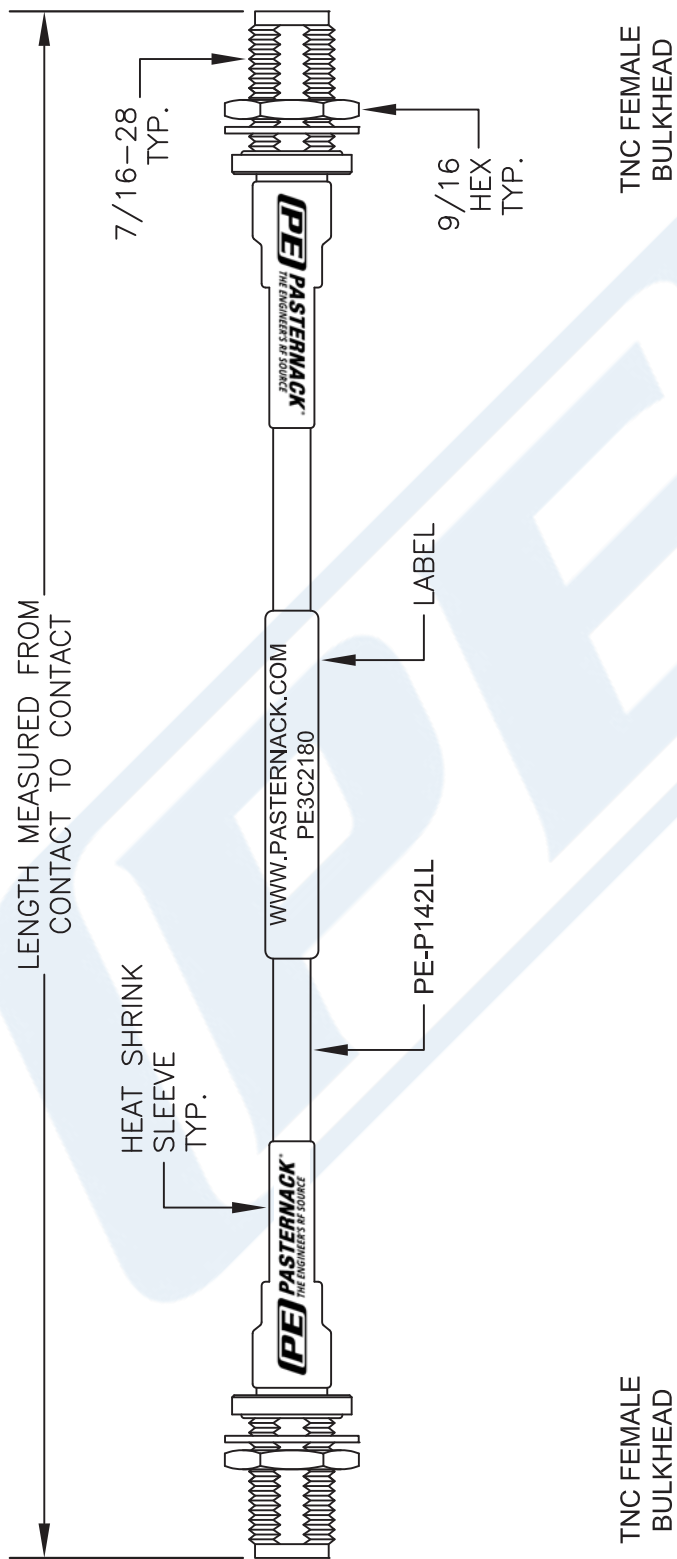
Click the following link (or enter part number in "SEARCH" on website) to obtain additional part information including price, inventory and certifications: [TNC Female Bulkhead to TNC Female Bulkhead Low Loss Cable Using PE-P142LL Coax, RoHS PE3C2180](https://www.pasternack.com/tnc-female-tnc-female-pe-p142ll-cable-assembly-pe3c2180-p.aspx)

URL: <https://www.pasternack.com/tnc-female-tnc-female-pe-p142ll-cable-assembly-pe3c2180-p.aspx>

The information contained in this document is accurate to the best of our knowledge and representative of the part described herein. It may be necessary to make modifications to the part and/or the documentation of the part, in order to implement improvements. Pasternack reserves the right to make such changes as required. Unless otherwise stated, all specifications are nominal. Pasternack does not make any representation or warranty regarding the suitability of the part described herein for any particular purpose, and Pasternack does not assume any liability arising out of the use of any part or documentation.

# PE3C2180 CAD Drawing

TNC Female Bulkhead to TNC Female Bulkhead Low Loss Cable Using PE-P142LL Coax, RoHS



NOTE: LABEL FOR CABLE LENGTHS 48" OR SHORTER TO BE CENTERED. 48" OR LONGER WILL BE 12" AWAY FROM CONNECTOR.

- NOTES:
1. UNLESS OTHERWISE SPECIFIED ALL DIMENSIONS ARE NOMINAL.
  2. ALL SPECIFICATIONS ARE SUBJECT TO CHANGE WITHOUT NOTICE AT ANY TIME.
  3. DIMENSIONS ARE IN INCHES (mm).
  4. LENGTH TOLERANCE IS  $\pm 1.5\%$  OR  $3/8"$ , WHICHEVER IS GREATER.

DWG TITLE	
<b>PE3C2180</b>	
FSCM NO. 53919	CAD FILE 061516
SCALE N/A	SIZE A
2233	

**PE PASTERNAK**  
THE ENGINEERS RF SOURCE

Pasternack Enterprises, Inc.  
P.O. Box 16759 | Irvine | CA | 92623

Phone: (949) 261-1920 | Fax: (949) 261-7451  
Website: www.pasternack.com | E-Mail: sales@pasternack.com