

TNC Male Right Angle to TNC Male Right Angle Low Loss Cable Using LMR-400 Coax with HeatShrink



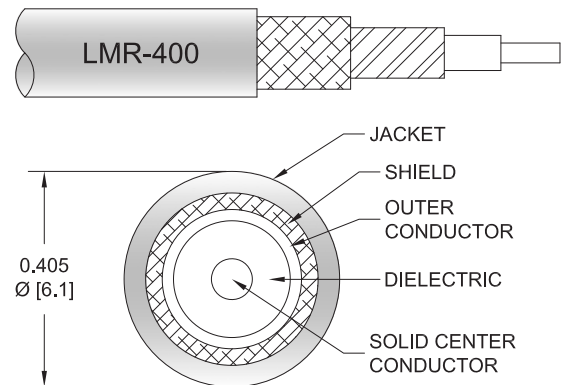
PE3C2337/HS

Configuration

- Connector 1: TNC Male Right Angle
- Connector 2: TNC Male Right Angle
- Cable Type: LMR-400
- Coax Flex Type: Flexible

Features

- Max Frequency 6 GHz
- Shielding Effectivity > 90 dB
- 85% Phase Velocity
- Double Shielded
- PE Jacket



Applications

- General Purpose
- Laboratory Use

Description

Pasternack's PE3C2337/HS TNC male right angle to TNC male right angle cable using LMR-400 coax is part of our full line of RF components available for same-day shipping. Pasternack's flexible RF cable assemblies are ideal for applications where tight bends and flexure are required. This Pasternack TNC to TNC cable assembly has a male to male gender configuration with 50 ohm flexible LMR-400 coax. The PE3C2337/HS TNC male to TNC male cable assembly operates to 6 GHz. The right angle TNC interfaces on the LMR-400 cable allow for easier connections in tight spaces. The double shielding of this Pasternack cable assembly provides excellent shielding effectiveness of better than 90 dB.

Custom versions of most RF cable assemblies can be built and shipped same day. Custom cable assembly lengths can be obtained by specifying the desired length on the web site at time of order or by contacting a sales representative. Other available RF cable assembly value added services include connector orientation or clocking, heat shrink booting and custom labeling. RF testing can also be performed to document the electrical performance of your cable assembly.

Electrical Specifications

Description	Minimum	Typical	Maximum	Units
Frequency Range	DC		6	GHz
VSWR			1.4:1	
Velocity of Propagation		85		%
RF Shielding	90			dB
Group Delay		1.2 [3.94]		ns/ft [ns/m]
Capacitance		23.9 [78.41]		pF/ft [pF/m]
Inductance		0.06 [0.2]		uH/ft [uH/m]
DC Resistance Inner Conductor		1.39 [4.56]		Ohms/1000ft [Ohms/Km]
DC Resistance Outer Conductor		1.65 [5.41]		Ohms/1000ft [Ohms/Km]

TNC Male Right Angle to TNC Male Right Angle Low Loss Cable Using LMR-400 Coax with HeatShrink



PE3C2337/HS

Electrical Specifications

Description	Minimum	Typical	Maximum	Units
Jacket Spark			8,000	Vrms

Specifications by Frequency

Part Number	Length	Description	F1	F2	F3	F4	F5	Units	Weight (lbs)
			Frequency					MHz	
PE3C2337/HS	Custom Lengths Available	Insertion Loss (Typ.)	0.02	0.028	0.041	0.068	0.093	dB/ft	
			0.07	0.1	0.14	0.23	0.31	dB/m	
PE3C2337/HS-12	12 inch	Insertion Loss (Typ.)	0.42	0.43	0.45	0.47	0.5	dB	0.287
PE3C2337/HS-24	24 inch	Insertion Loss (Typ.)	0.44	0.46	0.49	0.54	0.59	dB	0.355
PE3C2337/HS-36	36 inch	Insertion Loss (Typ.)	0.46	0.49	0.53	0.61	0.68	dB	0.422
PE3C2337/HS-48	48 inch	Insertion Loss (Typ.)	0.48	0.52	0.57	0.68	0.78	dB	0.489
PE3C2337/HS-60	60 inch	Insertion Loss (Typ.)	0.5	0.54	0.61	0.74	0.87	dB	0.556

The insertion loss data for the base model does not include loss due to the connectors. Each length includes insertion loss due to the connectors.

Loss due to Connector 1:	0.2 dB
Loss due to Connector 2:	0.2 dB
Base Weight:	0.287 pounds
Additional Weight per Inch:	0.00559 pounds

Mechanical Specifications

Cable Assembly

Width/Diameter	0.5 in [12.7 mm]
Weight	0.29 lbs [131.54 g]

Cable

Cable Type	LMR-400
Impedance	50 Ohms
Inner Conductor Type	Solid
Inner Conductor Material and Plating	Copper Clad Aluminum
Dielectric Type	PE (F)
Number of Shields	2
Shield Layer 1	Aluminum Tape
Shield Layer 2	Tinned Copper Braid
Jacket Material	PE, Black
Jacket Diameter	0.405 in [10.29 mm]
One Time Minimum Bend Radius	1 in [25.4 mm]
Repeated Minimum Bend Radius	4 in [101.6 mm]
Bending Moment	0.5 lbs-ft [0.68 N-m]
Flat Plate Crush	40 lbs/in [0.71 Kg/mm]
Tensile Strength	160 lbs [72.57 Kg]

TNC Male Right Angle to TNC Male Right Angle Low Loss Cable Using LMR-400 Coax with HeatShrink



PE3C2337/HS

Connectors

Description	Connector 1	Connector 2
Type	TNC Male Right Angle	TNC Male Right Angle
Impedance	50 Ohms	50 Ohms
Configuration	Right Angle	Right Angle
Contact Material and Plating	Brass, Silver	Brass, Silver
Dielectric Type	PTFE	PTFE
Body Material and Plating	Brass, Silver	Brass, Silver
Coupling Nut Material and Plating	Brass, Silver	Brass, Silver

Environmental Specifications

Operating Range Temperature -40 to +85 deg C

Compliance Certifications (see [product page](#) for current document)

Plotted and Other Data

Notes:

TNC Male Right Angle to TNC Male Right Angle Low Loss Cable Using LMR-400 Coax with HeatShrink

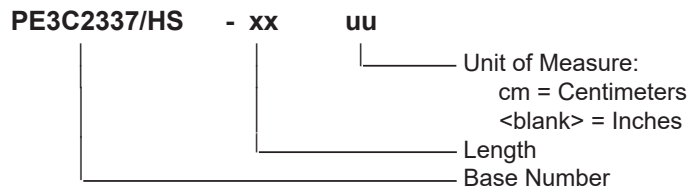


PE3C2337/HS

Typical Performance Data

How to Order

Part Number Configuration:



Example: PE3C2337/HS-12 = 12 inches long cable
PE3C2337/HS-100cm = 100 cm long cable

TNC Male Right Angle to TNC Male Right Angle Low Loss Cable Using LMR-400 Coax with HeatShrink from Pasternack Enterprises has same day shipment for domestic and International orders. Our RF, microwave and millimeter wave products maintain a 99.4% availability and are part of the broadest selection in the industry.

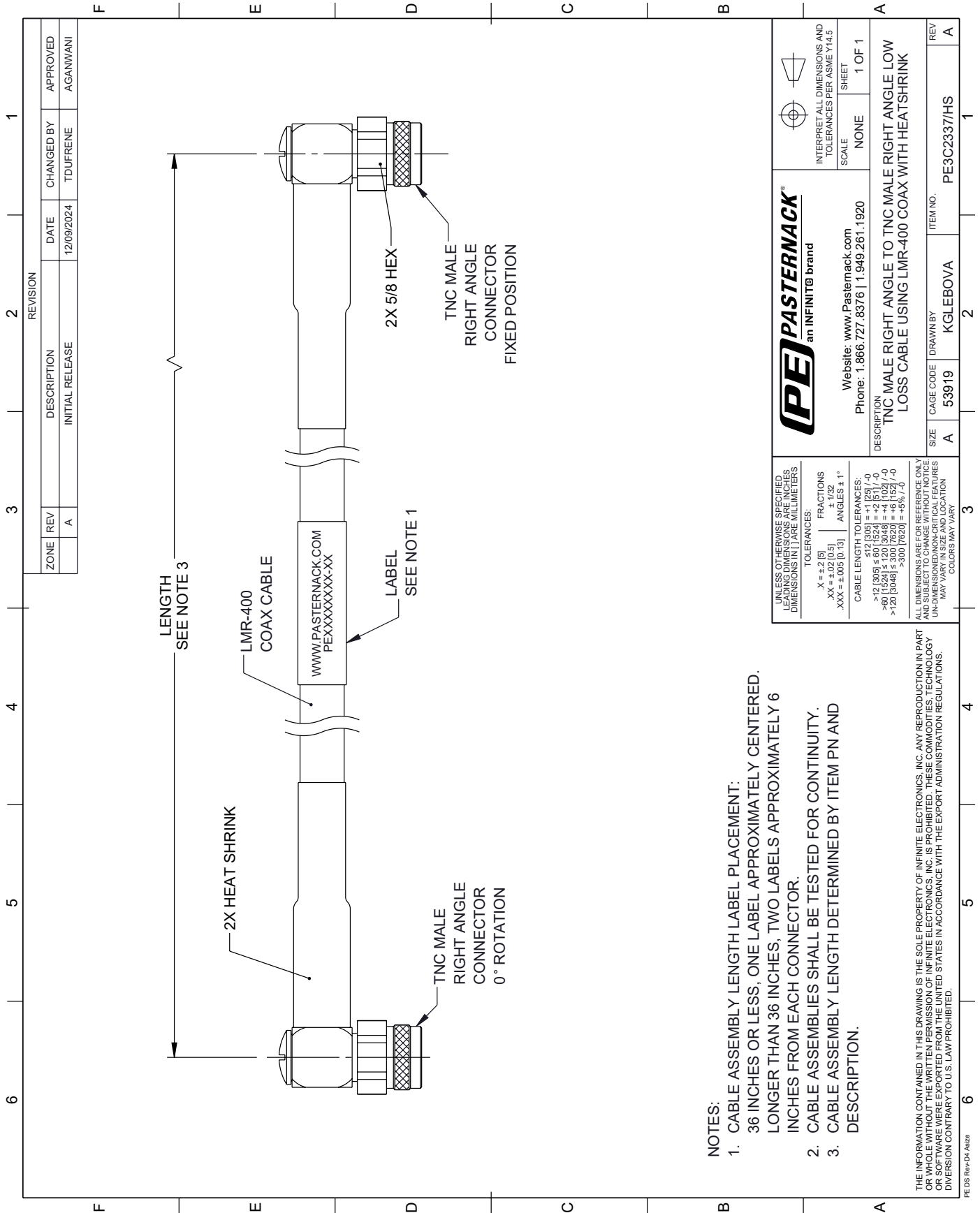
Click the following link (or enter part number in "SEARCH" on website) to obtain additional part information including price, inventory and certifications: [TNC Male Right Angle to TNC Male Right Angle Low Loss Cable Using LMR-400 Coax with HeatShrink PE3C2337/HS](#)

URL: <https://www.pasternack.com/tnc-male-right-angle-to-tnc-male-low-loss-cable-using-lmr-400-with-heatshrink-pe3c2337-hs-p.aspx>

The information contained within this document is accurate to the best of our knowledge and representative of the part described herein. It may be necessary to make modifications to the part and/or the documentation of the part in order to impliment improvements. Pasternack Enterprises reserves the right to make such changes as required. Unless otherwise stated, all specifications are nominal. Pasternack Enterprises does not make any representation or warranty regarding the suitability of the part described herein for any particular purpose, and Pasternack Enterprises does not assume liability arising out of the use of any part or document.

PE3C2337/HS CAD Drawing

TNC Male Right Angle to TNC Male Right Angle Low Loss Cable Using LMR-400 Coax with HeatShrink



NOTES:

1. CABLE ASSEMBLY LENGTH LABEL PLACEMENT: 36 INCHES OR LESS, ONE LABEL APPROXIMATELY CENTERED, LONGER THAN 36 INCHES, TWO LABELS APPROXIMATELY 6 INCHES FROM EACH CONNECTOR.
2. CABLE ASSEMBLIES SHALL BE TESTED FOR CONTINUITY.
3. CABLE ASSEMBLY LENGTH DETERMINED BY ITEM PN AND DESCRIPTION.

THE INFORMATION CONTAINED IN THIS DRAWING IS THE SOLE PROPERTY OF INFINITE ELECTRONICS, INC. ANY REPRODUCTION IN PART OR WHOLE WITHOUT THE WRITTEN PERMISSION OF INFINITE ELECTRONICS, INC. IS PROHIBITED. THESE COMMODITIES, TECHNOLOGY OR SOFTWARE WERE EXPORTED FROM THE UNITED STATES IN ACCORDANCE WITH THE EXPORT ADMINISTRATION REGULATIONS. DIVERSION CONTRARY TO U.S. LAW PROHIBITED.

PE DS Rev-04 A1822

UNLESS OTHERWISE SPECIFIED LEADING DIMENSIONS ARE INCHES DIMENSIONS IN PAREMILLIMETERS		TOLERANCES:	
X = ±.2 [5]	FRACTIONS ± 1/32	XX = ±.02 [0.5]	ANGLES ± 1°
XXX = ±.005 [0.13]			
CABLE LENGTH TOLERANCES:			
>12 [305]	±.12 [3.05]	≤ 60 [1524]	±.02 [0.51]
>60 [1524]	±.20 [5.08]	≤ 120 [3048]	±.04 [1.02]
>120 [3048]	±.30 [7.62]	≤ 300 [7620]	±.05 [1.27]
ALL DIMENSIONS ARE FOR REFERENCE ONLY UNLESS OTHERWISE SPECIFIED. DIMENSIONS ON CRITICAL FEATURES MAY VARY IN SIZE AND LOCATION. COLORS MAY VARY.			
 PASTERNAK an INFINIT® brand		Website: www.Pasternack.com Phone: 1.866.727.8376 1.949.261.1920	
INTERPRET ALL DIMENSIONS AND TOLERANCES PER ASME Y14.5 SCALE: NONE SHEET: 1 OF 1		DESCRIPTION: TNC MALE RIGHT ANGLE TO TNC MALE RIGHT ANGLE LOW LOSS CABLE USING LMR-400 COAX WITH HEATSHRINK	
REV	REV	DATE	APPROVED
A	A	12/09/2024	AGANWANI
ZONE	DESCRIPTION	CHANGED BY	
	INITIAL RELEASE	TDUFRENE	
SIZE	CAGE CODE	DRAWN BY	ITEM NO.
A	53919	KGLEBOVA	PE3C2337/HS