



## BNC Male to BNC Female Bulkhead Cable 24 Inch Length Using RG316 Coax

### RF Cable Assemblies Technical Data Sheet

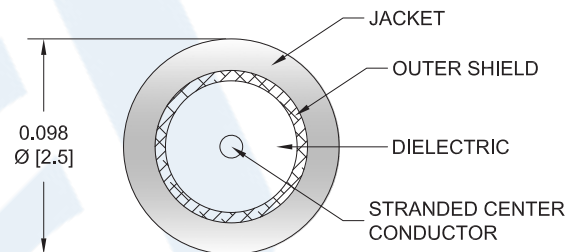
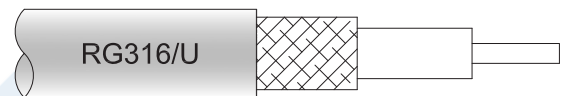
PE3C3446-24

#### Configuration

- Connector 1: BNC Male
- Connector 2: BNC Female Bulkhead
- Cable Type: RG316

#### Features

- Max Frequency 1 GHz
- 69% Phase Velocity
- FEP Jacket



#### Applications

- General Purpose
- Laboratory Use

#### Description

Pasternack's PE3C3446-24 BNC male to BNC female bulkhead 24 inch cable using RG316 coax is part of our full line of RF components available for same-day shipping. Pasternack's flexible RF cable assemblies are ideal for applications where tight bends and flexure are required. This Pasternack BNC to BNC cable assembly has a male to female gender configuration with 50 ohm flexible RG316 coax. The PE3C3446-24 BNC male to BNC female cable assembly operates to 1 GHz. Our RF cable assembly with BNC bulkhead interface allows designers to create external connections on their product enclosures, and can be used in a variety of other rack mount and panel mount applications.

Custom versions of most RF cable assemblies can be built and shipped same day. Custom cable assembly lengths can be obtained by specifying the desired length on the web site at time of order or by contacting a sales representative. Other available RF cable assembly value added services include connector orientation or clocking, heat shrink booting and custom labeling. RF testing can also be performed to document the electrical performance of your cable assembly.

Click the following link (or enter part number in "SEARCH" on website) to obtain additional part information including price, inventory and certifications: [BNC Male to BNC Female Bulkhead Cable 24 Inch Length Using RG316 Coax PE3C3446-24](#)



## BNC Male to BNC Female Bulkhead Cable 24 Inch Length Using RG316 Coax

### RF Cable Assemblies Technical Data Sheet

PE3C3446-24

#### Electrical Specifications

Description	Minimum	Typical	Maximum	Units
Frequency Range	DC		1,000	MHz
VSWR			1.4:1	
Velocity of Propagation		69		%
Capacitance		29.4 [96.46]		pF/ft [pF/m]
DC Resistance Inner Conductor		8.41 [27.59]		$\Omega$ /1000ft [ $\Omega$ /Km]
Operating Voltage (AC)			335	Vrms
Jacket Spark			2,000	Vrms

#### Specifications by Frequency

Description	F1	F2	F3	F4	F5	Units
Frequency	100	250	500	1,000		MHz
Insertion Loss (Max.)	0.43	0.49	0.59	0.8		dB
Insertion Loss (Typ.)	0.42	0.52	0.677	0.96		dB
VSWR (Max.)	1.4:1	1.4:1	1.4:1	1.4:1		
Return Loss (Max.)	15.56	15.563	15.563	15.563		dB

#### Mechanical Specifications

##### Cable Assembly

Length*	24 in [609.6 mm]
Diameter	0.689 in [17.5 mm]
Weight	0.09 lbs [40.82 g]

##### Cable

Cable Type	RG316
Impedance	50 Ohms
Inner Conductor Type	Stranded
Inner Conductor Material and Plating	Copper Clad Steel, Silver
Dielectric Type	PTFE
Number of Shields	1
Shield Layer 1	Silver Plated Copper Braid
Jacket Material	FEP, Tan
Jacket Diameter	0.102 in [2.59 mm]

Click the following link (or enter part number in "SEARCH" on website) to obtain additional part information including price, inventory and certifications: [BNC Male to BNC Female Bulkhead Cable 24 Inch Length Using RG316 Coax PE3C3446-24](#)



BNC Male to BNC Female Bulkhead Cable  
24 Inch Length Using RG316 Coax

RF Cable Assemblies Technical Data Sheet

PE3C3446-24

**Connectors**

Description	Connector 1	Connector 2
Type	BNC Male	BNC Female Bulkhead
Specification	MIL-STD-348A	
Impedance	50 Ohms	50 Ohms
Contact Material and Plating	Brass, Gold	Brass, Gold
Contact Plating Specification	50µ in. minimum	30 µin minimum
Dielectric Type	Teflon	PTFE
Body Material and Plating	Brass, Nickel	Brass, Nickel
Body Plating Specification	100µ in. minimum	100 µin minimum
Coupling Nut Material and Plating	Brass, Nickel	
Coupling Nut Plating Specification	100µ in. minimum	

Mechanical Specification Notes:

\*All cable assemblies have a length tolerance of 1.5% or ± 3/8", whichever is greater.

**Environmental Specifications**

**Temperature**

Operating Range -55 to +165 deg C

**Compliance Certifications** (see [product page](#) for current document)

**Plotted and Other Data**

Notes:

- Values at 25°C, sea level.

Click the following link (or enter part number in "SEARCH" on website) to obtain additional part information including price, inventory and certifications: [BNC Male to BNC Female Bulkhead Cable 24 Inch Length Using RG316 Coax PE3C3446-24](#)



**BNC Male to BNC Female Bulkhead Cable  
24 Inch Length Using RG316 Coax**

**RF Cable Assemblies Technical Data Sheet**

**PE3C3446-24**

**How to Order**

Part Number Configuration:

**PE3C3446**

- **xx**

**uu**

Unit of Measure:  
cm = Centimeters  
<blank> = Inches  
Length  
Base Number

Example: PE3C3446-12 = 12 inches long cable  
PE3C3446-100cm = 100 cm long cable

BNC Male to BNC Female Bulkhead Cable 24 Inch Length Using RG316 Coax from Pasternack Enterprises has same day shipment for domestic and International orders. Our RF, microwave and millimeter wave products maintain a 99.4% availability and are part of the broadest selection in the industry.

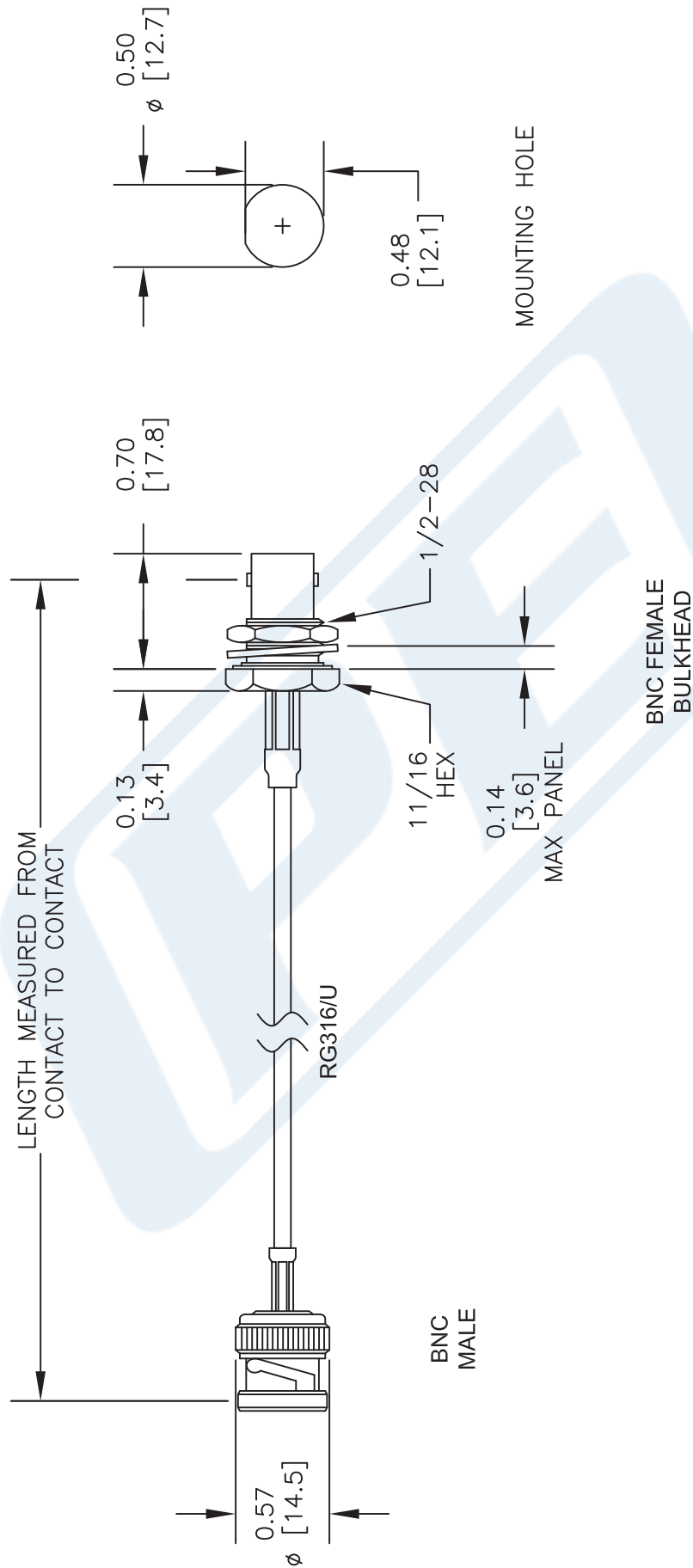
Click the following link (or enter part number in "SEARCH" on website) to obtain additional part information including price, inventory and certifications: [BNC Male to BNC Female Bulkhead Cable 24 Inch Length Using RG316 Coax PE3C3446-24](#)

URL: <https://www.pasternack.com/bnc-male-bnc-female-rg316u-cable-assembly-pe3c3446-24-p.aspx>

The information contained in this document is accurate to the best of our knowledge and representative of the part described herein. It may be necessary to make modifications to the part and/or the documentation of the part, in order to implement improvements. Pasternack reserves the right to make such changes as required. Unless otherwise stated, all specifications are nominal. Pasternack does not make any representation or warranty regarding the suitability of the part described herein for any particular purpose, and Pasternack does not assume any liability arising out of the use of any part or documentation.

# PE3C3446-24 CAD Drawing

BNC Male to BNC Female Bulkhead Cable 24 Inch Length Using RG316 Coax



DWG TITLE

**PE3C3446**

- NOTES:
1. UNLESS OTHERWISE SPECIFIED ALL DIMENSIONS ARE NOMINAL.
  2. ALL SPECIFICATIONS ARE SUBJECT TO CHANGE WITHOUT NOTICE AT ANY TIME.
  3. DIMENSIONS ARE IN INCHES [mm].
  4. LENGTH TOLERANCE IS  $\pm 1.5\%$  OR  $3/8"$ , WHICHEVER IS GREATER.

FSCM NO. 53919

CAD FILE 101816

SCALE N/A

SIZE A

2233



Pasternack Enterprises, Inc.  
 P.O. Box 16759 | Irvine | CA | 92623  
 Phone: (949) 261-1920 | Fax: (949) 261-7451  
 Website: www.pasternack.com | E-Mail: sales@pasternack.com