

## SMA Male to SMA Female Bulkhead Low Loss Cable Using PE-P195 Coax with HeatShrink



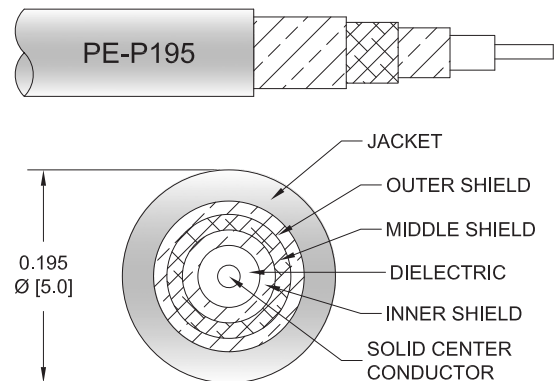
### PE3C4247/HS

#### Configuration

- Connector 1: SMA Male
- Connector 2: SMA Female Bulkhead
- Cable Type: PE-P195
- Coax Flex Type: Flexible

#### Features

- Max Frequency 12.4 GHz
- 70% Phase Velocity
- Triple Shielded
- FEP Jacket



#### Applications

- General Purpose
- Laboratory Use

#### Description

Pasternack's PE3C4247/HS SMA male to SMA female bulkhead cable using PE-P195 coax is part of our full line of RF components available for same-day shipping. Pasternack's flexible RF cable assemblies are ideal for applications where tight bends and flexure are required. This Pasternack SMA to SMA cable assembly has a male to female gender configuration with 50 ohm flexible PE-P195 coax. The PE3C4247/HS SMA male to SMA female cable assembly operates to 12.4 GHz. Our RF cable assembly with SMA bulkhead interface allows designers to create external connections on their product enclosures, and can be used in a variety of other rack mount and panel mount applications. The triple shielding of this Pasternack cable assembly provides excellent shielding effectiveness.

Custom versions of most RF cable assemblies can be built and shipped same day. Custom cable assembly lengths can be obtained by specifying the desired length on the web site at time of order or by contacting a sales representative. Other available RF cable assembly value added services include connector orientation or clocking, heat shrink booting and custom labeling. RF testing can also be performed to document the electrical performance of your cable assembly.

#### Electrical Specifications

Description	Minimum	Typical	Maximum	Units
Frequency Range	DC		12.4	GHz
VSWR			1.4:1	
Velocity of Propagation		70		%
Capacitance		29 [95.14]		pF/ft [pF/m]

#### Specifications by Frequency

SMA Male to SMA Female Bulkhead Low Loss Cable Using PE-P195 Coax with HeatShrink



**PE3C4247/HS**

Part Number	Length	Description	F1	F2	F3	F4	F5	Units	Weight (lbs)
			Frequency		500	1000	2500	5000	
PE3C4247/HS	Custom Lengths Available	Insertion Loss (Typ.)	0.088	0.125	0.196	0.315	0.512	dB/ft	
			0.29	0.42	0.65	1.04	1.68	dB/m	
PE3C4247/HS-12	12 In	Insertion Loss (Typ.)	0.29	0.33	0.4	0.52	0.72	dB	0.062
PE3C4247/HS-24	24 In	Insertion Loss (Typ.)	0.38	0.45	0.6	0.83	1.23	dB	0.101
PE3C4247/HS-36	36 In	Insertion Loss (Typ.)	0.47	0.58	0.79	1.15	1.74	dB	0.139
PE3C4247/HS-60	60 In	Insertion Loss (Typ.)	0.64	0.83	1.18	1.78	2.76	dB	0.215
PE3C4247/HS-72	72 In	Insertion Loss (Typ.)	0.73	0.95	1.38	2.09	3.28	dB	0.253

The insertion loss data for the base model does not include loss due to the connectors. Each length includes insertion loss due to the connectors.

Loss due to Connector 1: 0.1 dB  
 Loss due to Connector 2: 0.1 dB  
 Base Weight: 0.062 pounds  
 Additional Weight per Inch: 0.00317 pounds

**Mechanical Specifications**

**Cable Assembly**

Width/Diameter: 0.5 in [12.7 mm]  
 Weight: 0.024 lbs [10.89 g]

**Cable**

Cable Type: PE-P195  
 Impedance: 50 Ohms  
 Inner Conductor Type: Solid  
 Inner Conductor Material and Plating: Copper Clad Steel, Silver  
 Dielectric Type: PTFE  
 Number of Shields: 3  
 Shield Layer 1: Silver Plated Copper Braid  
 Shield Layer 2: Aluminum Tape  
 Shield Layer 3: Silver Plated Copper Braid  
 Jacket Material: FEP, Tan  
 Jacket Diameter: 0.195 in [4.95 mm]  
 Repeated Minimum Bend Radius: 1 in [25.4 mm]

## SMA Male to SMA Female Bulkhead Low Loss Cable Using PE-P195 Coax with HeatShrink



### PE3C4247/HS

#### Connectors

Description	Connector 1	Connector 2
Type	SMA Male	SMA Female Bulkhead
Specification	MIL-STD-348	
Impedance	50 Ohms	50 Ohms
Configuration	Straight	Straight
Contact Material and Plating	Brass, Gold	Beryllium Copper, Gold
Contact Plating Specification	MIL-G-45204	50 µin minimum
Dielectric Type	PTFE	PTFE
Body Material and Plating	Brass, Nickel	Brass, Nickel
Body Plating Specification	QQ-N-290	100 µin minimum
Coupling Nut Material and Plating	Brass, Nickel	
Coupling Nut Plating Specification	QQ-N-290	
Hex Size	5/16 inch	
Torque	3 in-lbs 0.34 Nm	

#### Environmental Specifications

**Compliance Certifications** (see [product page](#) for current document)

#### Plotted and Other Data

Notes:

## SMA Male to SMA Female Bulkhead Low Loss Cable Using PE-P195 Coax with HeatShrink



### PE3C4247/HS

#### Typical Performance Data

#### How to Order

Part Number Configuration:

**PE3C4247/HS - xx uu**



Example: PE3C4247/HS-12 = 12 inches long cable  
PE3C4247/HS-100cm = 100 cm long cable

SMA Male to SMA Female Bulkhead Low Loss Cable Using PE-P195 Coax with HeatShrink from Pasternack Enterprises has same day shipment for domestic and International orders. Our RF, microwave and millimeter wave products maintain a 99.4% availability and are part of the broadest selection in the industry.

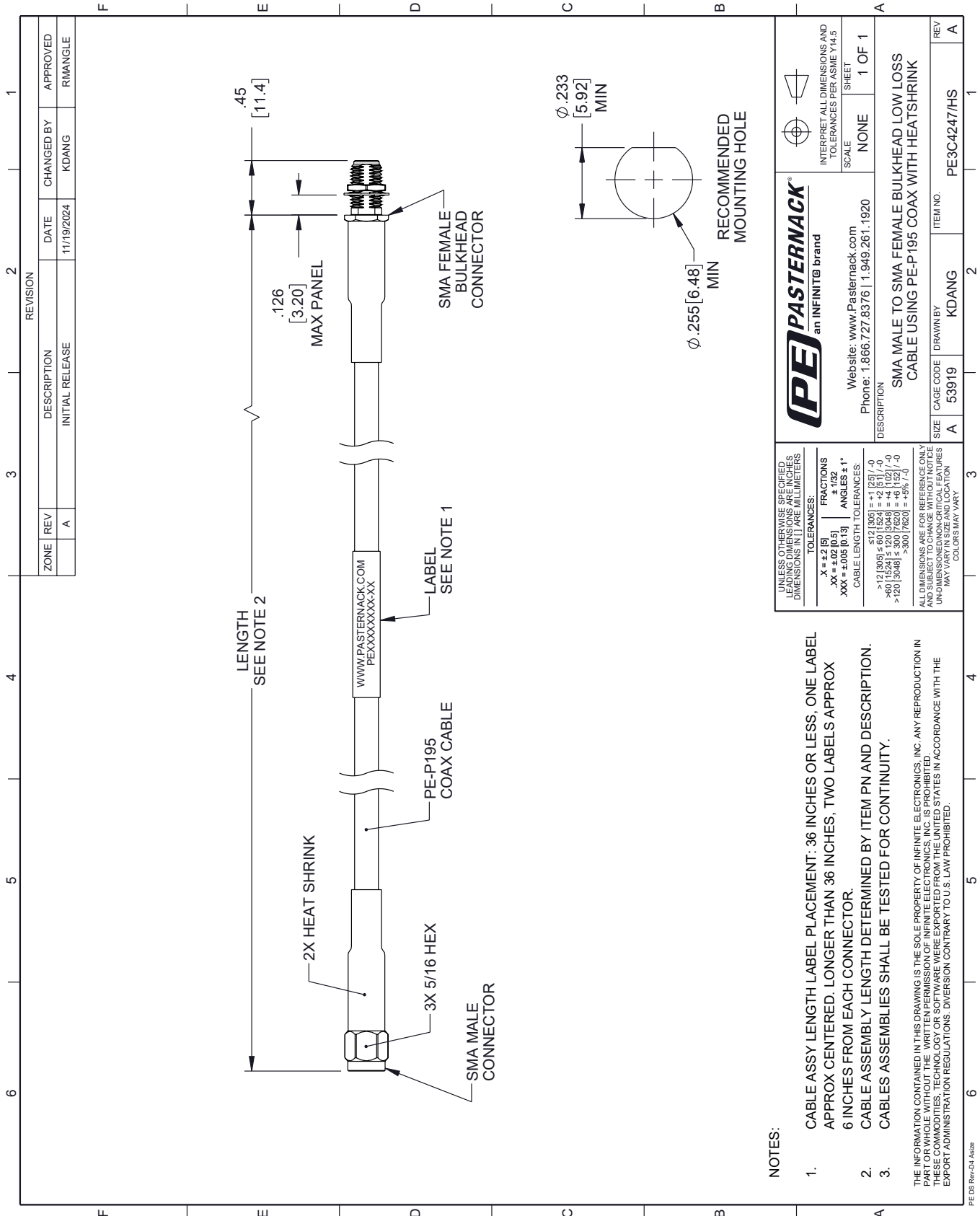
Click the following link (or enter part number in "SEARCH" on website) to obtain additional part information including price, inventory and certifications: [SMA Male to SMA Female Bulkhead Low Loss Cable Using PE-P195 Coax with HeatShrink PE3C4247/HS](#)

URL: <https://www.pasternack.com/sma-male-to-sma-female-bulkhead-low-loss-cable-using-pe-p195-with-heatshrink-pe3c4247-hs-p.aspx>

The information contained within this document is accurate to the best of our knowledge and representative of the part described herein. It may be necessary to make modifications to the part and/or the documentation of the part in order to implement improvements. Pasternack Enterprises reserves the right to make such changes as required. Unless otherwise stated, all specifications are nominal. Pasternack Enterprises does not make any representation or warranty regarding the suitability of the part described herein for any particular purpose, and Pasternack Enterprises does not assume liability arising out of the use of any part or document.

# PE3C4247/HS CAD Drawing

SMA Male to SMA Female Bulkhead Low Loss Cable Using PE-P195 Coax with HeatShrink



**NOTES:**

1. CABLE ASSY LENGTH LABEL PLACEMENT: .36 INCHES OR LESS, ONE LABEL APPROX CENTERED, LONGER THAN .36 INCHES, TWO LABELS APPROX 6 INCHES FROM EACH CONNECTOR.
2. CABLE ASSEMBLY LENGTH DETERMINED BY ITEM PN AND DESCRIPTION.
3. CABLE ASSEMBLIES SHALL BE TESTED FOR CONTINUITY.

THE INFORMATION CONTAINED IN THIS DRAWING IS THE SOLE PROPERTY OF INFINITE ELECTRONICS, INC. ANY REPRODUCTION IN PART OR WHOLE WITHOUT THE WRITTEN PERMISSION OF INFINITE ELECTRONICS, INC. IS PROHIBITED. THESE COMMODITIES, TECHNOLOGY OR SOFTWARE WERE EXPORTED FROM THE UNITED STATES IN ACCORDANCE WITH THE EXPORT ADMINISTRATION REGULATIONS. DIVERSION CONTRARY TO U.S. LAW PROHIBITED.

UNLESS OTHERWISE SPECIFIED LEADING DIMENSIONS ARE IN INCHES DIMENSIONS IN [ ] ARE MILLIMETERS

**TOLERANCES:**  
 .X = ±.2 [5]  
 .XX = ±.02 [0.5]  
 .XXX = ±.005 [0.13]

**FRACOINS**  
 ± 1/32  
 ANGLES ± 1°  
**CABLE LENGTH TOLERANCES:**  
 ≤ 12 [305] ± .60 [1524] = +1 [25] / -0  
 > 12 [305] ≤ 60 [1524] = +4 [102] / -0  
 > 60 [1524] ≤ 120 [3048] = +4 [102] / -0  
 > 120 [3048] ≤ 300 [7620] = +5% / -0

ALL DIMENSIONS ARE FOR REFERENCE ONLY UNLESS OTHERWISE SPECIFIED UNDIMENSIONED NON-CRITICAL FEATURES MAY VARY IN SIZE AND LOCATION COLORS MAY VARY



an INFINITE brand  
 Website: www.Pasternack.com  
 Phone: 1.866.727.8376 | 1.949.261.1920

INTERPRET ALL DIMENSIONS AND TOLERANCES PER ASME Y14.5  
 SCALE NONE  
 SHEET 1 OF 1

DESCRIPTION		ITEM NO.	
SMA MALE TO SMA FEMALE BULKHEAD LOW LOSS CABLE USING PE-P195 COAX WITH HEATSHRINK		PE3C4247/HS	
SIZE	CAGE CODE	DRAWN BY	REV
A	53919	KDANG	A

ZONE	REV	DESCRIPTION	DATE	CHANGED BY	APPROVED
	A	INITIAL RELEASE	11/19/2024	KDANG	RMANGLE