



Water Blue FAKRA Jack to Water Blue FAKRA Jack Right Angle Low Loss Cable Using LMR-100 Coax

TECHNICAL DATA SHEET

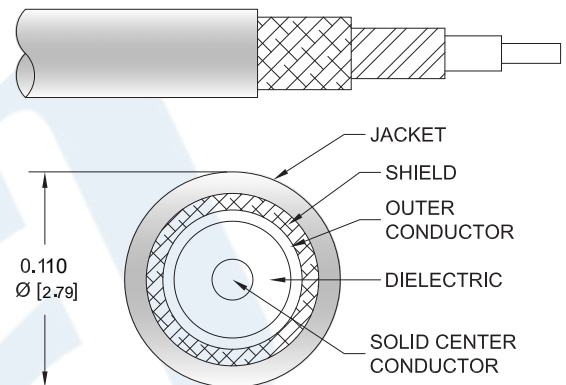
PE3C4641

Configuration

- Connector 1: FAKRA Jack
- Connector 2: FAKRA Jack Right Angle
- Cable Type: LMR-100A
- Coax Flex Type: Flexible

Features

- Max Frequency 4 GHz
- Shielding Effectivity > 90 dB
- 66% Phase Velocity
- Double Shielded
- PVC Jacket



Applications

- General Purpose
- Laboratory Use

Description

Pasternack's PE3C4641 water blue FAKRA jack to FAKRA jack right angle cable using LMR-100 coax is part of our full line of RF components available for same-day shipping. Pasternack's flexible RF cable assemblies are ideal for applications where tight bends and flexure are required. This Pasternack FAKRA to FAKRA cable assembly has a jack to jack gender configuration with 50 ohm flexible LMR-100A coax. The PE3C4641 FAKRA jack to FAKRA jack cable assembly operates to 4 GHz. The right angle FAKRA interface on the LMR-100A cable allows for easier connections in tight spaces. The double shielding of this Pasternack cable assembly provides excellent shielding effectiveness of better than 90 dB.

Custom versions of most RF cable assemblies can be built and shipped same day. Custom cable assembly lengths can be obtained by specifying the desired length on the web site at time of order or by contacting a sales representative. Other available RF cable assembly value added services include connector orientation or clocking, heat shrink booting and custom labeling. RF testing can also be performed to document the electrical performance of your cable assembly.

Click the following link (or enter part number in "SEARCH" on website) to obtain additional part information including price, inventory and certifications: [Water Blue FAKRA Jack to Water Blue FAKRA Jack Right Angle Low Loss Cable Using LMR-100 Coax PE3C4641](#)



Water Blue FAKRA Jack to Water Blue FAKRA Jack Right Angle Low Loss Cable Using LMR-100 Coax

TECHNICAL DATA SHEET

PE3C4641

Electrical Specifications

Description	Minimum	Typical	Maximum	Units
Frequency Range	DC		4	GHz
VSWR			1.4:1	
Velocity of Propagation		66		%
RF Shielding	90			dB
Group Delay		1.54 [5.05]		ns/ft [ns/m]
Capacitance		30.8 [101.05]		pF/ft [pF/m]
Inductance		0.077 [0.25]		uH/ft [uH/m]
DC Resistance Inner Conductor		81 [265.75]		Ω /1000ft [Ω /Km]
DC Resistance Outer Conductor		9.5 [31.17]		Ω /1000ft [Ω /Km]
Jacket Spark			2,000	Vrms

Specifications by Frequency

Part Number	Length	Description	F1	F2	F3	F4	F5	Units	Weight (lbs)
			Frequency						
PE3C4641	Custom Lengths Available	Insertion Loss (Typ.)	0.06	0.12	0.17	0.24	0.5	dB/ft	
			0.21	0.38	0.55	0.79	1.65	dB/m	
PE3C4641-24	24 inch	Insertion Loss (Typ.)	0.43	0.53	0.63	0.78	1.31	dB	0.039
PE3C4641-36	36 inch	Insertion Loss (Typ.)	0.5	0.65	0.8	1.02	1.81	dB	0.048
PE3C4641-48	48 inch	Insertion Loss (Typ.)	0.56	0.76	0.96	1.26	2.31	dB	0.057
PE3C4641-100CM	100 cm	Insertion Loss (Typ.)	0.51	0.68	0.85	1.09	1.95	dB	0.051
PE3C4641-200CM	200 cm	Insertion Loss (Typ.)	0.72	1.06	1.39	1.88	3.6	dB	0.081

The insertion loss data for the base model does not include loss due to the connectors. Each length includes insertion loss due to the connectors.

Loss due to Connector 1:	0.1 dB
Loss due to Connector 2:	0.2 dB
Base Weight:	0.03 pounds
Additional Weight per Inch:	0.00075 pounds

Mechanical Specifications

Cable Assembly

Weight 0.03 lbs [13.61 g]

Click the following link (or enter part number in "SEARCH" on website) to obtain additional part information including price, inventory and certifications: [Water Blue FAKRA Jack to Water Blue FAKRA Jack Right Angle Low Loss Cable Using LMR-100 Coax PE3C4641](#)



Water Blue FAKRA Jack to Water Blue FAKRA Jack
Right Angle Low Loss Cable Using LMR-100 Coax

TECHNICAL DATA SHEET

PE3C4641

Cable

Cable Type	LMR-100A
Impedance	50 Ohms
Inner Conductor Type	Solid
Inner Conductor Material and Plating	Copper Clad Steel
Dielectric Type	PE
Number of Shields	2
Shield Layer 1	Aluminum Tape
Shield Layer 2	Tinned Copper Braid
Jacket Material	PVC, Black
Jacket Diameter	0.11 in [2.79 mm]
One Time Minimum Bend Radius	0.25 in [6.35 mm]
Repeated Minimum Bend Radius	1 in [25.4 mm]
Bending Moment	0.1 lbs-ft [0.14 N-m]
Flat Plate Crush	10 lbs/in [0.18 Kg/mm]
Tensile Strength	15 lbs [6.8 Kg]

Connectors

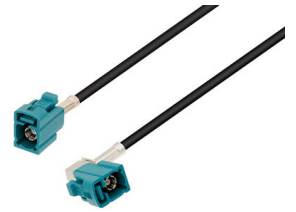
Description	Connector 1	Connector 2
Type	FAKRA Jack Push-On	FAKRA Jack Right Angle Push-On
Impedance	50 Ohms	50 Ohms
Configuration	Straight	Right Angle
Contact Material and Plating	Phosphor Bronze, Gold	Phosphor Bronze, Gold
Dielectric Type	PTFE	PTFE
Outer Conductor Material and Plating	Brass, Nickel	Brass, Nickel
Body Material and Plating	Plastic	Plastic

Compliance Certifications (see [product page](#) for current document)

Plotted and Other Data

Notes:

Click the following link (or enter part number in "SEARCH" on website) to obtain additional part information including price, inventory and certifications: [Water Blue FAKRA Jack to Water Blue FAKRA Jack Right Angle Low Loss Cable Using LMR-100 Coax PE3C4641](#)



Water Blue FAKRA Jack to Water Blue FAKRA Jack Right Angle Low Loss Cable Using LMR-100 Coax

TECHNICAL DATA SHEET

PE3C4641

How to Order

Part Number Configuration:

PE3C4641

- **xx**

uu

Unit of Measure:

cm = Centimeters

<blank> = Inches

Length

Base Number

Example: PE3C4641-12 = 12 inches long cable
PE3C4641-100cm = 100 cm long cable

Water Blue FAKRA Jack to Water Blue FAKRA Jack Right Angle Low Loss Cable Using LMR-100 Coax from Pasternack Enterprises has same day shipment for domestic and International orders. Our RF, microwave and millimeter wave products maintain a 99.4% availability and are part of the broadest selection in the industry.

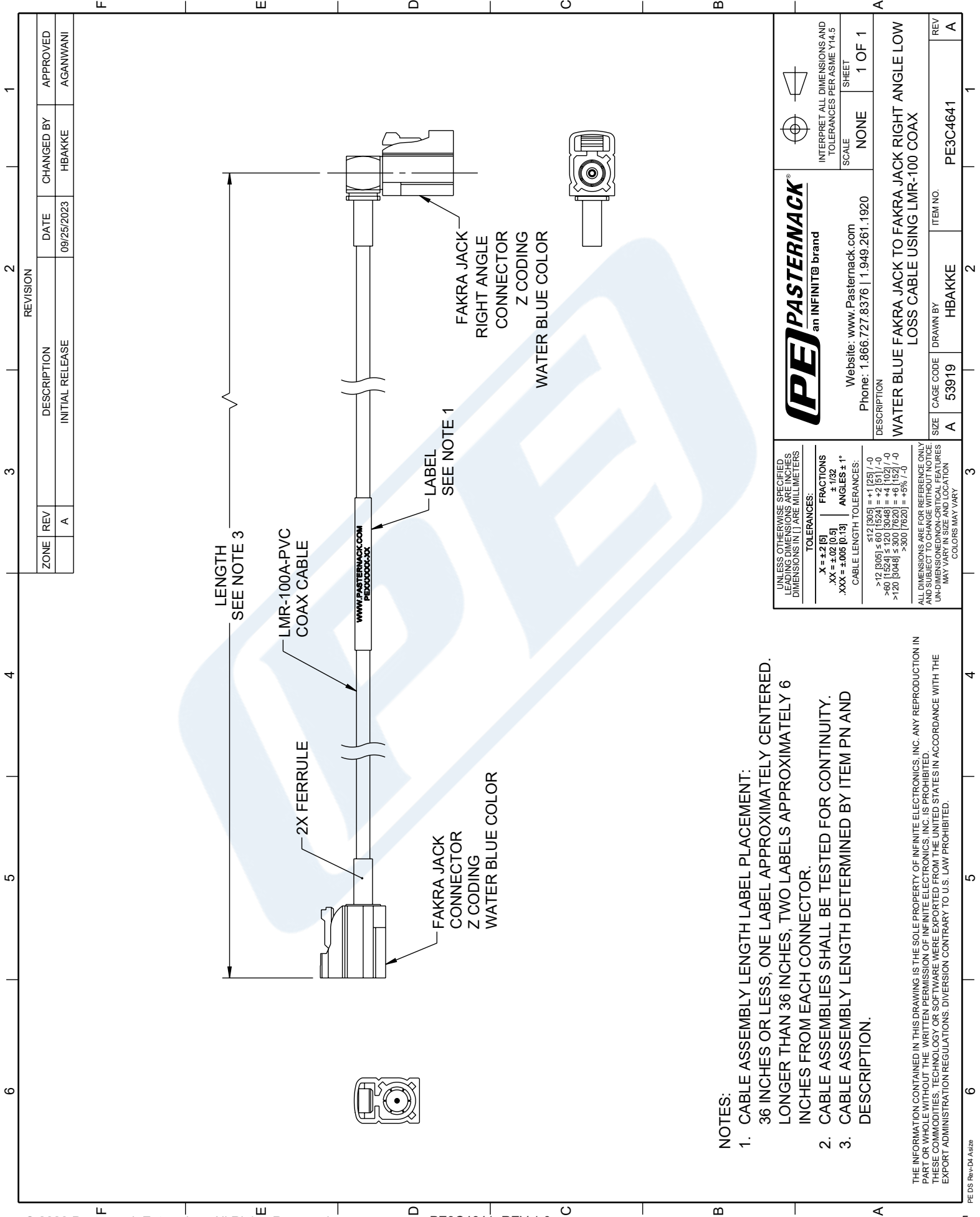
Click the following link (or enter part number in "SEARCH" on website) to obtain additional part information including price, inventory and certifications: [Water Blue FAKRA Jack to Water Blue FAKRA Jack Right Angle Low Loss Cable Using LMR-100 Coax PE3C4641](#)



URL: <https://www.pasternack.com/fakra-jack-to-fakra-jack-low-loss-cable-using-lmr-100-pe3c4641-p.aspx>

The information contained in this document is accurate to the best of our knowledge and representative of the part described herein. It may be necessary to make modifications to the part and/or the documentation of the part, in order to implement improvements. Pasternack reserves the right to make such changes as required. Unless otherwise stated, all specifications are nominal. Pasternack does not make any representation or warranty regarding the suitability of the part described herein for any particular purpose, and Pasternack does not assume any liability arising out of the use of any part or documentation.

PE3C4641 CAD Drawing

Water Blue FAKRA Jack to Water Blue FAKRA Jack Right Angle Low Loss Cable Using LMR-100 Coax



 <p>an INFINITI® brand</p>		 <p>INTERPRET ALL DIMENSIONS AND TOLERANCES PER ASME Y14.5</p>
Website: www.Pasternack.com Phone: 1.866.727.8376 1.949.261.1920		SCALE: NONE SHEET: 1 OF 1
DESCRIPTION: WATER BLUE FAKRA JACK TO FAKRA JACK RIGHT ANGLE LOW LOSS CABLE USING LMR-100 COAX		
SIZE: A	CAGE CODE: 53919	DRAWN BY: HBAKKE ITEM NO.: PE3C4641
ALL DIMENSIONS ARE FOR REFERENCE ONLY. UNLESS OTHERWISE SPECIFIED, LEADING DIMENSIONS ARE IN INCHES, DIMENSIONS IN [] ARE IN MILLIMETERS.		
TOLERANCES: .X = ±.2 [5] .XX = ±.02 [0.5] .XXX = ±.005 [0.13]		
FRACTIONS: ±.732 ANGLES ± 1° CABLE LENGTH TOLERANCES: <12 [305] ≤ 60 [1524] = ±.1 [25] / -0 >60 [1524] ≤ 120 [3048] = ±.2 [51] / -0 >120 [3048] ≤ 300 [7620] = ±.6 [152] / -0 >300 [7620] = ±.5% / -0		
ALL DIMENSIONS ARE FOR REFERENCE ONLY. UNLESS OTHERWISE SPECIFIED, LEADING DIMENSIONS ARE IN INCHES, DIMENSIONS IN [] ARE IN MILLIMETERS. UNDIMENSIONED NON-CRITICAL FEATURES MAY VARY IN SIZE AND LOCATION. COLORS MAY VARY.		