



## 75 Ohm F Male to 75 Ohm F Female Bulkhead Cable 60 Inch Length Using 75 Ohm RG179 Coax

### RF Cable Assemblies Technical Data Sheet

PE3C5570-60

#### Configuration

- Connector 1: F Male
- Connector 2: F Female Bulkhead
- Cable Type: RG179

#### Features

- Max Frequency 1 GHz
- FEP Jacket

#### Applications

- General Purpose
- Laboratory Use

#### Description

Pasternack's PE3C5570-60 75 ohm type F male to 75 ohm type F female bulkhead 60 inch cable using 75 ohm RG179 coax is part of our full line of RF components available for same-day shipping. Pasternack's flexible RF cable assemblies are ideal for applications where tight bends and flexure are required. This Pasternack type F to type F cable assembly has a male to female gender configuration with 75 ohm flexible RG179 coax. The PE3C5570-60 type F male to type F female cable assembly operates to 1 GHz. Our RF cable assembly with type F bulkhead interface allows designers to create external connections on their product enclosures, and can be used in a variety of other rack mount and panel mount applications.

Custom versions of most RF cable assemblies can be built and shipped same day. Custom cable assembly lengths can be obtained by specifying the desired length on the web site at time of order or by contacting a sales representative. Other available RF cable assembly value added services include connector orientation or clocking, heat shrink booting and custom labeling. RF testing can also be performed to document the electrical performance of your cable assembly.

#### Electrical Specifications

Description	Minimum	Typical	Maximum	Units
Frequency Range	DC		1,000	MHz
VSWR			1.35:1	
Capacitance		23 [75.46]		pF/ft [pF/m]

#### Mechanical Specifications

##### Cable Assembly

Length*	60 in [152.4 cm]
Diameter	0.509 in [12.93 mm]

##### Cable

Cable Type	RG179
Impedance	75 Ohms
Inner Conductor Type	Stranded

Click the following link (or enter part number in "SEARCH" on website) to obtain additional part information including price, inventory and certifications: [75 Ohm F Male to 75 Ohm F Female Bulkhead Cable 60 Inch Length Using 75 Ohm RG179 Coax PE3C5570-60](#)



75 Ohm F Male to 75 Ohm F Female Bulkhead Cable  
60 Inch Length Using 75 Ohm RG179 Coax

RF Cable Assemblies Technical Data Sheet

PE3C5570-60

Inner Conductor Material and Plating	Copper Clad Steel, Silver
Dielectric Type	PTFE
Number of Shields	1
Shield Layer 1	Silver Plated Copper Braid
Jacket Material	FEP, Tan
Jacket Diameter	0.1 in [2.54 mm]

**Connectors**

Description	Connector 1	Connector 2
Type	F Male	F Female Bulkhead
Impedance	75 Ohms	75 Ohms
Contact Material and Plating	Brass, Gold	Phosphor Bronze, Gold
Contact Plating Specification		30µ in. minimum
Dielectric Type	Teflon	Teflon
Body Material and Plating	Brass, Nickel	Brass, Nickel
Body Plating Specification	100µ in. minimum	100µ in. minimum
Coupling Nut Material and Plating	Brass, Nickel	
Coupling Nut Plating Specification	100µ in. minimum	
Hex Size	7/16 in	
Torque	15 in-lbs [1.7 Nm]	

Mechanical Specification Notes:

\*All cable assemblies have a length tolerance of 1.5% or ± 3/8", whichever is greater.

**Compliance Certifications** (see [product page](#) for current document)

**Plotted and Other Data**

Notes:

- Values at 25°C, sea level.

Click the following link (or enter part number in "SEARCH" on website) to obtain additional part information including price, inventory and certifications: [75 Ohm F Male to 75 Ohm F Female Bulkhead Cable 60 Inch Length Using 75 Ohm RG179 Coax PE3C5570-60](#)



75 Ohm F Male to 75 Ohm F Female Bulkhead Cable  
60 Inch Length Using 75 Ohm RG179 Coax

## RF Cable Assemblies Technical Data Sheet

PE3C5570-60

### How to Order

Part Number Configuration:

**PE3C5570**

- **xx**

**uu**

Unit of Measure:

cm = Centimeters

<blank> = Inches

Length

Base Number

Example: PE3C5570-12 = 12 inches long cable  
PE3C5570-100cm = 100 cm long cable

75 Ohm F Male to 75 Ohm F Female Bulkhead Cable 60 Inch Length Using 75 Ohm RG179 Coax from Pasternack Enterprises has same day shipment for domestic and International orders. Our RF, microwave and millimeter wave products maintain a 99.4% availability and are part of the broadest selection in the industry.

Click the following link (or enter part number in "SEARCH" on website) to obtain additional part information including price, inventory and certifications: [75 Ohm F Male to 75 Ohm F Female Bulkhead Cable 60 Inch Length Using 75 Ohm RG179 Coax PE3C5570-60](#)

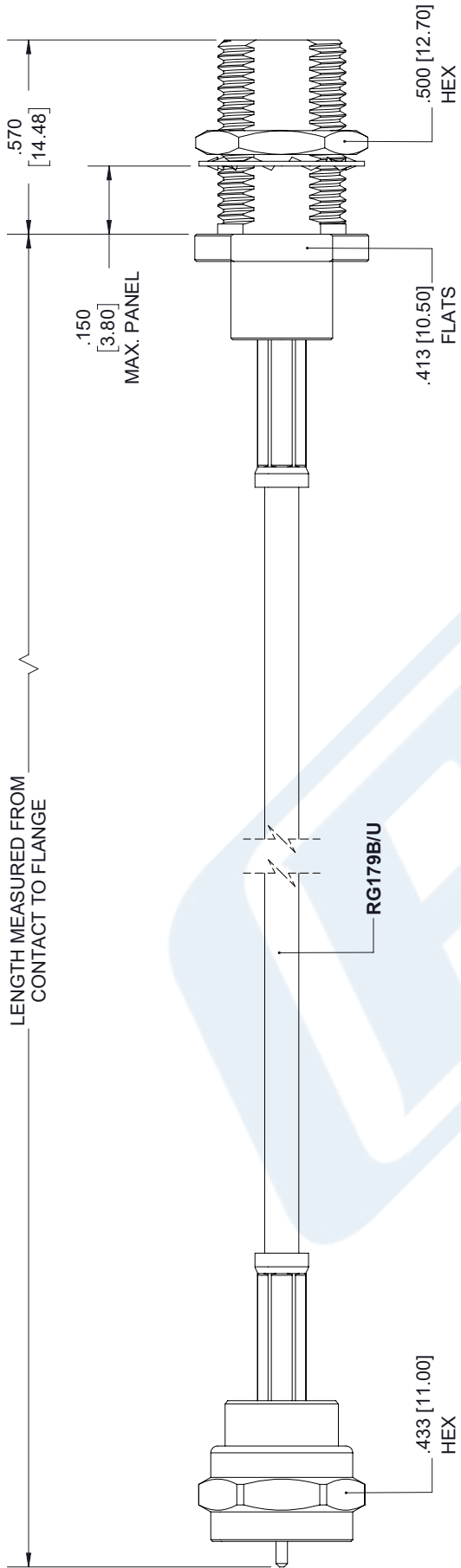
URL: <https://www.pasternack.com/f-male-f-female-rg179bu-cable-assembly-pe3c5570-60-p.aspx>

The information contained in this document is accurate to the best of our knowledge and representative of the part described herein. It may be necessary to make modifications to the part and/or the documentation of the part, in order to implement improvements. Pasternack reserves the right to make such changes as required. Unless otherwise stated, all specifications are nominal. Pasternack does not make any representation or warranty regarding the suitability of the part described herein for any particular purpose, and Pasternack does not assume any liability arising out of the use of any part or documentation.

# PE3C5570-60 CAD Drawing

75 Ohm F Male to 75 Ohm F Female Bulkhead Cable

60 Inch Length Using 75 Ohm RG179 Coax

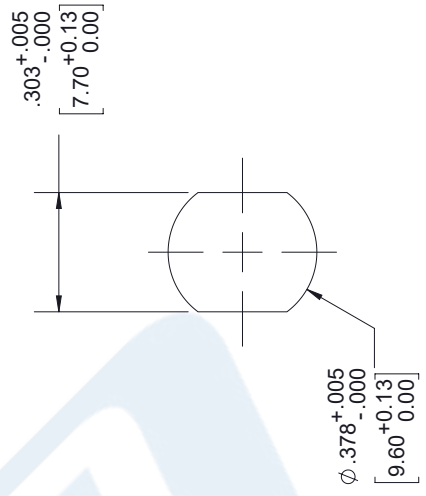


**F STRAIGHT  
MALE**

**F FEMALE  
BULKHEAD**

STANDARD TOLERANCES	
.X	±0.2
.XX	±0.01
.XXX	±0.005

\*STANDARD TOLERANCES APPLY ONLY TO DIMENSIONS IN INCHES



**MOUNTING HOLE**

NOTES:  
 1. UNLESS OTHERWISE SPECIFIED ALL DIMENSIONS ARE NOMINAL.  
 2. ALL SPECIFICATIONS ARE SUBJECT TO CHANGE WITHOUT NOTICE AT ANY TIME.  
 3. DIMENSIONS ARE IN INCHES [mm].

DWG TITLE  
**PE3C5570**

**PE PASTERNAK®**  
 THE ENGINEER'S RF SOURCE  
 Pasternack Enterprises, Inc.  
 P.O. Box 16759 | Irvine | CA | 92623  
**Phone:** (949) 261-1920 | **Fax:** (949) 261-7451  
**Website:** www.pasternack.com | **E-Mail:** sales@pasternack.com

CAD FILE 07/19/18 SCALE N/A SIZE A 7361

CAGE CODE **53919**