

Waterproof IP68 BNC Male (Plug) to N Male (Plug)
Low Loss Cable 36 Inch Length Using LMR-400 Coax
with Times Microwave Components



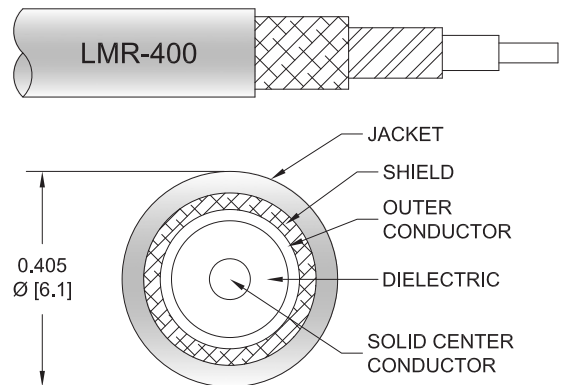
PE3C6733/WP-36

Configuration

- Connector 1: BNC Male
- Connector 2: N Male
- Cable Type: LMR-400
- Coax Flex Type: Flexible

Features

- Max Frequency 6 GHz
- Shielding Effectivity > 90 dB
- 85% Phase Velocity
- Double Shielded
- PE Jacket
- Silicone Connector Boot
- IP68 Rated



Applications

- General Purpose
- Laboratory Use

Description

Pasternack's PE3C6733/WP-36 BNC male to type N male 36 inch cable using LMR-400 coax is part of our full line of RF components available for same-day shipping. Pasternack's flexible RF cable assemblies are ideal for applications where tight bends and flexure are required. This Pasternack BNC to type N cable assembly has a male to male gender configuration with 50 ohm flexible LMR-400 coax. The PE3C6733/WP-36 BNC male to type N male cable assembly operates to 6 GHz. The double shielding of this Pasternack cable assembly provides excellent shielding effectiveness of better than 90 dB.

Custom versions of most RF cable assemblies can be built and shipped same day. Custom cable assembly lengths can be obtained by specifying the desired length on the web site at time of order or by contacting a sales representative. Other available RF cable assembly value added services include connector orientation or clocking, heat shrink booting and custom labeling. RF testing can also be performed to document the electrical performance of your cable assembly.

Electrical Specifications

Description	Minimum	Typical	Maximum	Units
Frequency Range	DC		6	GHz
VSWR			1.4:1	
Velocity of Propagation		85		%
RF Shielding	90			dB
Capacitance		23.9 [78.41]		pF/ft [pF/m]
Inductance		0.06 [0.2]		uH/ft [uH/m]
DC Resistance Inner Conductor		1.39 [4.56]		Ohms/1000ft [Ohms/Km]
DC Resistance Outer Conductor		1.65 [5.41]		Ohms/1000ft [Ohms/Km]
Dielectric Withstanding Voltage (DC)			2,500	Vdc

Waterproof IP68 BNC Male (Plug) to N Male (Plug)
Low Loss Cable 36 Inch Length Using LMR-400 Coax
with Times Microwave Components



PE3C6733/WP-36

Electrical Specifications

Description	Minimum	Typical	Maximum	Units
Jacket Spark			8,000	Vrms

Specifications by Frequency

Part Number	Length	Description	F1	F2	F3	F4	F5	Units	Weight (lbs)	
			Frequency					250		500
PE3C6733/WP	Custom Lengths Available	Insertion Loss (Typ.)	0.02	0.028	0.041	0.068	0.108	dB/ft		
			0.07	0.1	0.14	0.23	0.36	dB/m		
PE3C6733/WP-24	24 In	Insertion Loss (Typ.)	0.24	0.26	0.29	0.34	0.42	dB	0.808	
PE3C6733/WP-48	36 In	Insertion Loss (Typ.)	0.26	0.29	0.33	0.41	0.53	dB	0.875	
PE3C6733/WP-36	48 In	Insertion Loss (Typ.)	0.28	0.2	0.37	0.48	0.64	dB	0.942	
PE3C6733/WP-60	60 In	Insertion Loss (Typ.)	0.3	0.34	0.41	0.54	0.74	dB	1.009	

The insertion loss data for the base model does not include loss due to the connectors. Each length includes insertion loss due to the connectors.

Loss due to Connector 1:	0.1 dB
Loss due to Connector 2:	0.1 dB
Base Weight:	0.741 pounds
Additional Weight per Inch:	0.00558 pounds

Mechanical Specifications

Cable Assembly

Length	36 in [914.4 mm]
Width/Diameter	0.5 in [12.7 mm]
Weight	0.875 lbs [396.89 g]

Cable

Cable Type	LMR-400
Impedance	50 Ohms
Inner Conductor Type	Solid
Inner Conductor Material and Plating	Copper Clad Aluminum
Dielectric Type	PE (F)
Number of Shields	2
Shield Layer 1	Aluminum Tape
Shield Layer 2	Tinned Copper Braid
Jacket Material	PE
Jacket Diameter	0.405 in [10.29 mm]
One Time Minimum Bend Radius	1 in [25.4 mm]
Repeated Minimum Bend Radius	4 in [101.6 mm]
Bending Moment	0.5 lbs-ft [0.68 N-m]
Flat Plate Crush	40 lbs/in [0.71 Kg/mm]
Tensile Strength	160 lbs [72.57 Kg]

Waterproof IP68 BNC Male (Plug) to N Male (Plug)
Low Loss Cable 36 Inch Length Using LMR-400 Coax
with Times Microwave Components



PE3C6733/WP-36

Connectors

Description	Connector 1	Connector 2
Type	BNC Male	N Male
Option		Weatherproof Boot
Impedance	50 Ohms	50 Ohms
Configuration	Straight	Straight
Contact Material and Plating	Brass, Gold	Brass, Gold
Contact Plating Specification	50 µin minimum	50 µin minimum
Dielectric Type	PTFE	
Body Material and Plating	Brass, Tri-Metal	Brass, Tri-Metal
Body Plating Specification	80 µin minimum	80 µin minimum
Coupling Nut Material and Plating	Brass, Tri-Metal	Brass, Tri-Metal
Coupling Nut Plating Specification	80 µin minimum	80 µin minimum
Boot Material	Silicone	Silicone

Environmental Specifications

Operating Range Temperature	-40 to +85 deg C
Ingress Protection (IP) Rating	IP68

Compliance Certifications (see [product page](#) for current document)

Plotted and Other Data

Notes:
Values at 25°C, sea level.

Waterproof IP68 BNC Male (Plug) to N Male (Plug)
Low Loss Cable 36 Inch Length Using LMR-400 Coax
with Times Microwave Components



PE3C6733/WP-36

Typical Performance Data

How to Order

Part Number Configuration:

PE3C6733/WP - xx uu

Unit of Measure:
cm = Centimeters
<blank> = Inches

Length

Base Number

Example: PE3C6733/WP-12 = 12 inches long cable
PE3C6733/WP-100cm = 100 cm long cable

Waterproof IP68 BNC Male (Plug) to N Male (Plug) Low Loss Cable 36 Inch Length Using LMR-400 Coax with Times Microwave Components from Pasternack Enterprises has same day shipment for domestic and International orders. Our RF, microwave and millimeter wave products maintain a 99.4% availability and are part of the broadest selection in the industry.

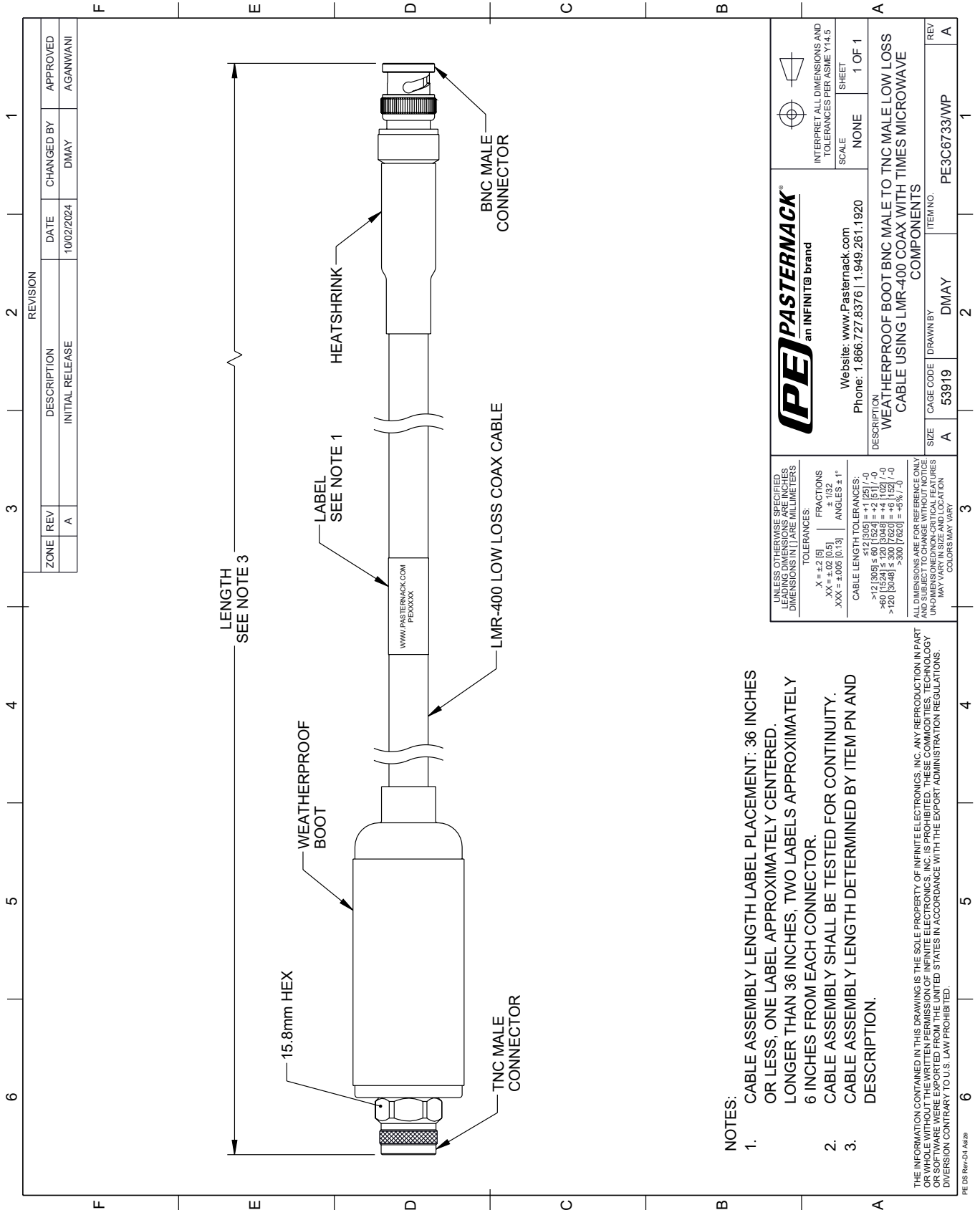
Click the following link (or enter part number in "SEARCH" on website) to obtain additional part information including price, inventory and certifications: [Waterproof IP68 BNC Male \(Plug\) to N Male \(Plug\) Low Loss Cable 36 Inch Length Using LMR-400 Coax with Times Microwave Components PE3C6733/WP-36](https://www.pasternack.com/waterproof-ip68-bnc-male-plug-to-n-male-plug-low-loss-cable-36-inch-length-using-lmr-400-pe3c6733-wp-36-p.aspx)

URL: <https://www.pasternack.com/waterproof-ip68-bnc-male-plug-to-n-male-plug-low-loss-cable-36-inch-length-using-lmr-400-pe3c6733-wp-36-p.aspx>

The information contained within this document is accurate to the best of our knowledge and representative of the part described herein. It may be necessary to make modifications to the part and/or the documentation of the part in order to implement improvements. Pasternack Enterprises reserves the right to make such changes as required. Unless otherwise stated, all specifications are nominal. Pasternack Enterprises does not make any representation or warranty regarding the suitability of the part described herein for any particular purpose, and Pasternack Enterprises does not assume liability arising out of the use of any part or document.

PE3C6733/WP-36 CAD Drawing

Waterproof IP68 BNC Male (Plug) to N Male (Plug) Low Loss Cable 36 Inch Length Using LMR-400 Coax with Times Microwave Components



PE PASTERNAK an INFINITE brand		INTERPRET ALL DIMENSIONS AND TOLERANCES PER ASME Y14.5 SCALE NONE SHEET 1 OF 1	
Website: www.Pasternack.com Phone: 1.866.727.8376 1.949.261.1920		DESCRIPTION WEATHERPROOF BOOT BNC MALE TO TNC MALE LOW LOSS CABLE USING LMR-400 COAX WITH TIMES MICROWAVE COMPONENTS	
SIZE A	CAGE CODE 53919	DRAWN BY DMAY	ITEM NO. PE3C6733/WP
UNLESS OTHERWISE SPECIFIED, LEADING DIMENSIONS ARE IN INCHES, DIMENSIONS IN [] ARE MILLIMETERS.		ALL DIMENSIONS ARE FOR REFERENCE ONLY. UNDIMENSIONED/NON-CRITICAL FEATURES MAY VARY IN SIZE AND LOCATION. COLORS MAY VARY.	
TOLERANCES: .X = ±.2 [5] .XX = ±.02 [0.5] .XXX = ±.005 [0.13]		FRACTIONS ± 1/32 ANGLES ± 1°	
CABLE LENGTH TOLERANCES: >12 [305] ≤ 60 [1524] = ±.1 [25] / -0 >60 [1524] ≤ 120 [3048] = ±.4 [102] / -0 >120 [3048] ≤ 300 [7620] = ±.8 [20] / -0			

- NOTES:**
- CABLE ASSEMBLY LENGTH LABEL PLACEMENT: 36 INCHES OR LESS, ONE LABEL APPROXIMATELY CENTERED. LONGER THAN 36 INCHES, TWO LABELS APPROXIMATELY 6 INCHES FROM EACH CONNECTOR.
 - CABLE ASSEMBLY SHALL BE TESTED FOR CONTINUITY.
 - CABLE ASSEMBLY LENGTH DETERMINED BY ITEM PN AND DESCRIPTION.

THE INFORMATION CONTAINED IN THIS DRAWING IS THE SOLE PROPERTY OF INFINITE ELECTRONICS, INC. ANY REPRODUCTION IN PART OR WHOLE WITHOUT THE WRITTEN PERMISSION OF INFINITE ELECTRONICS, INC. IS PROHIBITED. THESE COMMODITIES, TECHNOLOGY OR SOFTWARE ARE BEING EXPORTED FROM THE UNITED STATES IN ACCORDANCE WITH THE EXPORT ADMINISTRATION REGULATIONS. DIVERSION CONTRARY TO U.S. LAW PROHIBITED.