

Waterproof IP68 N Male (Plug) Right Angle to N Male (Plug) Low Loss Cable 36 Inch Length Using SPO-250 Coax with Times Microwave Components



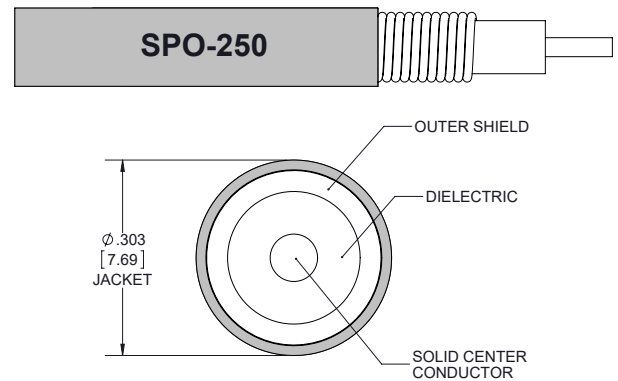
PE3C7262/WP-36

Configuration

- Connector 1: N Male Right Angle
- Connector 2: N Male
- Cable Type: SPO-250
- Coax Flex Type: Flexible

Features

- Max Frequency 6 GHz
- Low PIM: -160 dBc Max
- 83% Phase Velocity
- PE Jacket
- Silicone Connector Boot
- IP68 Rated



Applications

- General Purpose
- Laboratory Use

Description

Pasternack's PE3C7262/WP-36 type N male right angle to type N male 36 inch cable using SPO-250 coax is part of our full line of RF components available for same-day shipping. Pasternack's flexible RF cable assemblies are ideal for applications where tight bends and flexure are required. This Pasternack type N to type N cable assembly has a male to male gender configuration with 50 ohm flexible SPO-250 coax. The PE3C7262/WP-36 type N male to type N male cable assembly operates to 6 GHz. The right angle type N interface on the SPO-250 cable allows for easier connections in tight spaces.

Custom versions of most RF cable assemblies can be built and shipped same day. Custom cable assembly lengths can be obtained by specifying the desired length on the web site at time of order or by contacting a sales representative. Other available RF cable assembly value added services include connector orientation or clocking, heat shrink booting and custom labeling. RF testing can also be performed to document the electrical performance of your cable assembly.

Electrical Specifications

Description	Minimum	Typical	Maximum	Units
Frequency Range	DC		6	GHz
VSWR			1.4:1	
Velocity of Propagation		83		%
Passive Intermodulation			-160	dBc
IM3 (2x43dBm Tones) at 850 MHz or 1900 MHz				
Capacitance		24 [78.74]		pF/ft [pF/m]
Inductance		0.054 [0.18]		uH/ft [uH/m]

Specifications by Frequency

Waterproof IP68 N Male (Plug) Right Angle to N Male (Plug) Low Loss Cable 36 Inch Length Using SPO-250 Coax with Times Microwave Components



PE3C7262/WP-36

Part Number	Length	Description	F1	F2	F3	F4	Units	Weight (lbs)
			Frequency	500	1000	2500	6000	
PE3C7262/WP	Custom Lengths Available	Insertion Loss (Typ.)	0.057	0.041	0.068	0.108	dB/ft	
			0.19	0.14	0.23	0.36	dB/m	
PE3C7262/WP-24	24 In	Insertion Loss (Typ.)	0.2	0.29	0.46	0.71	dB	0.82
PE3C7262/WP-36	36 In	Insertion Loss (Typ.)	0.23	0.33	0.53	0.82	dB	0.867
PE3C7262/WP-60	60 In	Insertion Loss (Typ.)	0.29	0.41	0.66	1.03	dB	0.961
PE3C7262/WP-50CM	50 CM	Insertion Loss (Typ.)	0.19	0.27	0.43	0.67	dB	0.804

The insertion loss data for the base model does not include loss due to the connectors. Each length includes insertion loss due to the connectors.

Loss due to Connector 1: 0.1*SQRT(FGHz) dB
 Loss due to Connector 2: 0.1*SQRT(FGHz) dB
 Base Weight: 0.773 pounds
 Additional Weight per Inch: 0.00391 pounds

Mechanical Specifications

Cable Assembly

Length 36 in [914.4 mm]
 Width/Diameter 0.5 in [12.7 mm]
 Weight 0.867 lbs [393.26 g]

Cable

Cable Type SPO-250
 Impedance 50 Ohms
 Inner Conductor Type Stranded
 Inner Conductor Material and Plating Copper Clad Aluminum
 Dielectric Type Foam PE
 Outer Conductor 1 Material and Plating Copper, Corrugated
 Jacket Material PE
 Jacket Diameter 0.303 in [7.7 mm]
 One Time Minimum Bend Radius 1 in [25.4 mm]
 Bending Moment 0.5 lbs-ft [0.68 N-m]

Waterproof IP68 N Male (Plug) Right Angle to N Male (Plug) Low Loss Cable 36 Inch Length Using SPO-250 Coax with Times Microwave Components



PE3C7262/WP-36

Connectors

Description	Connector 1	Connector 2
Type	N Male Right Angle	N Male
Option		Weatherproof Boot
Impedance	50 Ohms	50 Ohms
Configuration	Right Angle	Straight
Contact Material and Plating	Brass, Silver	Phosphor Bronze, Silver
Contact Plating Specification	200 µin minimum	196 µin minimum
Dielectric Type	PTFE	PTFE
Body Material and Plating	Brass, Tri-Metal	Brass, Tri-Metal
Body Plating Specification	80 µin minimum	118 µin minimum
Coupling Nut Material and Plating	Brass, Tri-Metal	Brass, Tri-Metal
Coupling Nut Plating Specification	80 µin minimum	118 µin minimum
Boot Material	Silicone	Silicone

Environmental Specifications

Operating Range Temperature	-40 to +85 deg C
Ingress Protection (IP) Rating	IP68

Compliance Certifications (see [product page](#) for current document)

Plotted and Other Data

Notes:
Values at 25°C, sea level.

Waterproof IP68 N Male (Plug) Right Angle to N Male (Plug) Low Loss Cable 36 Inch Length Using SPO-250 Coax with Times Microwave Components



PE3C7262/WP-36

Typical Performance Data

How to Order

Part Number Configuration:

PE3C7262/WP - xx uu

Unit of Measure:
cm = Centimeters
<blank> = Inches

Length

Base Number

Example: PE3C7262/WP-12 = 12 inches long cable
PE3C7262/WP-100cm = 100 cm long cable

Waterproof IP68 N Male (Plug) Right Angle to N Male (Plug) Low Loss Cable 36 Inch Length Using SPO-250 Coax with Times Microwave Components from Pasternack Enterprises has same day shipment for domestic and International orders. Our RF, microwave and millimeter wave products maintain a 99.4% availability and are part of the broadest selection in the industry.

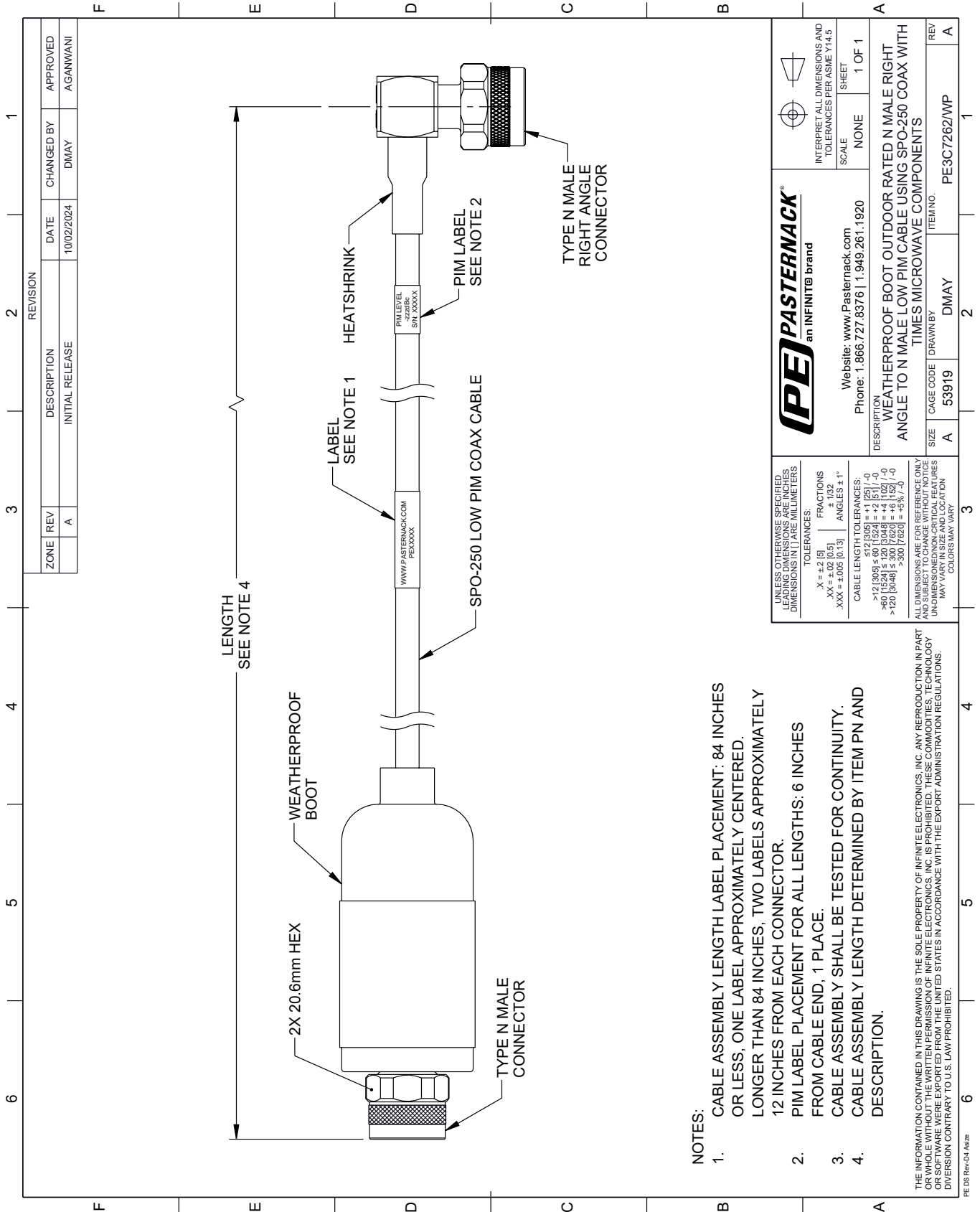
Click the following link (or enter part number in "SEARCH" on website) to obtain additional part information including price, inventory and certifications: [Waterproof IP68 N Male \(Plug\) Right Angle to N Male \(Plug\) Low Loss Cable 36 Inch Length Using SPO-250 Coax with Times Microwave Components PE3C7262/WP-36](#)

URL: <https://www.pasternack.com/waterproof-ip68-n-male-plug-right-angle-to-n-male-plug-low-loss-cable-36-inch-length-using-spo-250-pe3c7262-wp-36-p.aspx>

The information contained within this document is accurate to the best of our knowledge and representative of the part described herein. It may be necessary to make modifications to the part and/or the documentation of the part in order to implement improvements. Pasternack Enterprises reserves the right to make such changes as required. Unless otherwise stated, all specifications are nominal. Pasternack Enterprises does not make any representation or warranty regarding the suitability of the part described herein for any particular purpose, and Pasternack Enterprises does not assume liability arising out of the use of any part or document.

PE3C7262/WP-36 CAD Drawing

Waterproof IP68 N Male (Plug) Right Angle to N Male (Plug) Low Loss Cable 36 Inch Length Using SPO-250 Coax with Times Microwave Components



NOTES:

1. CABLE ASSEMBLY LENGTH LABEL PLACEMENT: 84 INCHES OR LESS, ONE LABEL APPROXIMATELY CENTERED. LONGER THAN 84 INCHES, TWO LABELS APPROXIMATELY 12 INCHES FROM EACH CONNECTOR.
2. PIM LABEL PLACEMENT FOR ALL LENGTHS: 6 INCHES FROM CABLE END, 1 PLACE.
3. CABLE ASSEMBLY SHALL BE TESTED FOR CONTINUITY.
4. CABLE ASSEMBLY LENGTH DETERMINED BY ITEM PN AND DESCRIPTION.

THE INFORMATION CONTAINED IN THIS DRAWING IS THE SOLE PROPERTY OF INFINITE ELECTRONICS, INC. ANY REPRODUCTION IN PART OR WHOLE WITHOUT THE WRITTEN PERMISSION OF INFINITE ELECTRONICS, INC. IS PROHIBITED. THESE COMMODITIES, TECHNOLOGY OR SOFTWARE WERE EXPORTED FROM THE UNITED STATES IN ACCORDANCE WITH THE EXPORT ADMINISTRATION REGULATIONS. DIVERSION CONTRARY TO U.S. LAW PROHIBITED.

<p>UNLESS OTHERWISE SPECIFIED, LEADING DIMENSIONS ARE IN INCHES. DIMENSIONS IN [] ARE MILLIMETERS.</p> <p>TOLERANCES:</p> <p>X = ±.2 [5] FRACTIONS ± 1/32</p> <p>.XX = ±.02 [0.5] ANGLES ± 1°</p> <p>.XXX = ±.005 [0.13]</p> <p>CABLE LENGTH TOLERANCES:</p> <p>>12 [305] ≤ 60 [1524] = ±.2 [5] / -0</p> <p>>60 [1524] ≤ 120 [3048] = ±.4 [102] / -0</p> <p>>120 [3048] ≤ 300 [7620] = ±.6 [15] / -0</p>		<p>INTERPRET ALL DIMENSIONS AND TOLERANCES PER ASME Y14.5</p> <p>SCALE: NONE</p> <p>SHEET: 1 OF 1</p>	
<p>PE PASTERNAK® an INFINITE brand</p> <p>Website: www.Pasternack.com</p> <p>Phone: 1.866.727.8376 1.949.261.1920</p>		<p>DESCRIPTION: WEATHERPROOF BOOT OUTDOOR RATED N MALE RIGHT ANGLE TO N MALE LOW PIM CABLE USING SPO-250 COAX WITH TIMES MICROWAVE COMPONENTS</p>	
<p>SIZE: A</p>	<p>CAGE CODE: 53919</p>	<p>DRAWN BY: DMAY</p>	<p>ITEM NO.: PE3C7262/WP</p>
<p>ALL DIMENSIONS ARE FOR REFERENCE ONLY. UNDIMENSIONED NON-CRITICAL FEATURES MAY VARY IN SIZE AND LOCATION. COLORS MAY VARY.</p>		<p>REV: A</p>	