



## N Female Bulkhead to SMA Male Right Angle Low Loss Cable Using LMR-200-UF Coax with HeatShrink

### RF Cable Assemblies Technical Data Sheet

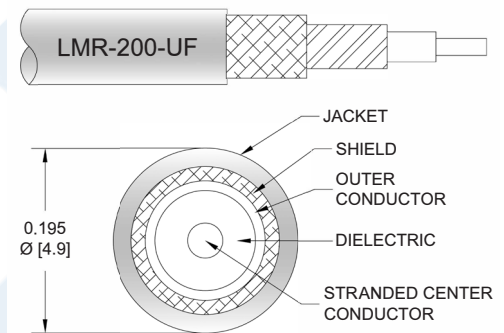
PE3C8564/HS

#### Configuration

- Connector 1: N Female Bulkhead
- Connector 2: SMA Male Right Angle
- Cable Type: LMR-200-UF

#### Features

- Max Frequency 3 GHz
- Shielding Effectivity > 90 dB
- 83% Phase Velocity
- Double Shielded
- TPE Jacket



#### Applications

- General Purpose
- Laboratory Use

#### Description

Pasternack's PE3C8564/HS type N female bulkhead to SMA male right angle cable using LMR-200-UF coax is part of our full line of RF components available for same-day shipping. Pasternack's flexible RF cable assemblies are ideal for applications where tight bends and flexure are required. This Pasternack type N to SMA cable assembly has a female to male gender configuration with 50 ohm flexible LMR-200-UF coax. The PE3C8564/HS type N female to SMA male cable assembly operates to 3 GHz. The right angle SMA interface on the LMR-200-UF cable allows for easier connections in tight spaces. Our RF cable assembly with type N bulkhead interface allows designers to create external connections on their product enclosures, and can be used in a variety of other rack mount and panel mount applications. The double shielding of this Pasternack cable assembly provides excellent shielding effectiveness of better than 90 dB.

Custom versions of most RF cable assemblies can be built and shipped same day. Custom cable assembly lengths can be obtained by specifying the desired length on the web site at time of order or by contacting a sales representative. Other available RF cable assembly value added services include connector orientation or clocking, heat shrink booting and custom labeling. RF testing can also be performed to document the electrical performance of your cable assembly.

Click the following link (or enter part number in "SEARCH" on website) to obtain additional part information including price, inventory and certifications: [N Female Bulkhead to SMA Male Right Angle Low Loss Cable Using LMR-200-UF Coax with HeatShrink PE3C8564/HS](#)



## N Female Bulkhead to SMA Male Right Angle Low Loss Cable Using LMR-200-UF Coax with HeatShrink

### RF Cable Assemblies Technical Data Sheet

**PE3C8564/HS**

#### Electrical Specifications

Description	Minimum	Typical	Maximum	Units
Frequency Range	DC		3	GHz
VSWR			1.4:1	
Velocity of Propagation		83		%
RF Shielding	90			dB
Group Delay		1.22 [4]		ns/ft [ns/m]
Capacitance		24.5 [80.38]		pF/ft [pF/m]
Inductance		0.061 [0.2]		uH/ft [uH/m]
DC Resistance Inner Conductor		7.5 [24.61]		$\Omega$ /1000ft [ $\Omega$ /Km]
DC Resistance Outer Conductor		4.9 [16.08]		$\Omega$ /1000ft [ $\Omega$ /Km]
Jacket Spark			3,000	Vrms

#### Specifications by Frequency

Description	F1	F2	F3	F4	F5	Units
Frequency	0.1	0.25	0.5	1	3	GHz
Insertion Loss (Typ.)	0.037	0.061	0.087	0.118	0.219	dB/ft
	0.12	0.2	0.29	0.39	0.72	dB/m

#### Electrical Specification Notes:

Insertion Loss does not include the loss of the connectors. Insertion Loss is estimated as 0.1 dB for the straight connector and 0.2 dB for the right angle connector.

#### Mechanical Specifications

##### Cable Assembly

Weight 0.154 lbs [69.85 g]

##### Cable

Cable Type LMR-200-UF  
 Impedance 50 Ohms  
 Inner Conductor Type Stranded  
 Inner Conductor Material and Plating Copper  
 Dielectric Type PE (F)  
 Number of Shields 2  
 Shield Layer 1 Aluminum Tape  
 Shield Layer 2 Tinned Copper Braid  
 Jacket Material TPE, Black  
 Jacket Diameter 0.195 in [4.95 mm]

Click the following link (or enter part number in "SEARCH" on website) to obtain additional part information including price, inventory and certifications: [N Female Bulkhead to SMA Male Right Angle Low Loss Cable Using LMR-200-UF Coax with HeatShrink PE3C8564/HS](#)



N Female Bulkhead to SMA Male Right Angle Low Loss Cable Using LMR-200-UF Coax with HeatShrink

**RF Cable Assemblies Technical Data Sheet**

**PE3C8564/HS**

One Time Minimum Bend Radius	0.5 in [12.7 mm]
Repeated Minimum Bend Radius	2 in [50.8 mm]
Bending Moment	0.1 lbs-ft [0.14 N-m]
Flat Plate Crush	10 lbs/in [0.18 Kg/mm]
Tensile Strength	40 lbs [18.14 Kg]

**Connectors**

Description	Connector 1	Connector 2
Type	N Female Bulkhead	SMA Male Right Angle
Specification	IEC 61169-16	MIL-STD-348A
Impedance	50 Ohms	50 Ohms
Mating Cycles	500	
Contact Material and Plating	Copper, Silver	Brass, Gold
Contact Plating Specification	5 μm minimum	50 μin minimum
Dielectric Type	PTFE	PTFE
Outer Conductor Material and Plating	Brass, Tri-Metal	
Outer Conductor Plating Specification	2 μm minimum	
Body Material and Plating		Brass, Nickel
Body Plating Specification		100 μin minimum
Coupling Nut Material and Plating		Brass, Nickel
Coupling Nut Plating Specification		100 μin minimum
Hex Size	1/2 inch	5/16 inch
Torque		3 in-lbs [0.34 Nm]

**Environmental Specifications**

**Temperature**

Operating Range -40 to +85 deg C

**Compliance Certifications** (see [product page](#) for current document)

**Plotted and Other Data**

Notes:

Click the following link (or enter part number in "SEARCH" on website) to obtain additional part information including price, inventory and certifications: [N Female Bulkhead to SMA Male Right Angle Low Loss Cable Using LMR-200-UF Coax with HeatShrink PE3C8564/HS](#)



# N Female Bulkhead to SMA Male Right Angle Low Loss Cable Using LMR-200-UF Coax with HeatShrink

## RF Cable Assemblies Technical Data Sheet

**PE3C8564/HS**

### How to Order

Part Number Configuration:

**PE3C8564/HS - xx uu**

Unit of Measure:  
 cm = Centimeters  
 <blank> = Inches  
 Length  
 Base Number

Example: PE3C8564/HS-12 = 12 inches long cable  
 PE3C8564/HS-100cm = 100 cm long cable

N Female Bulkhead to SMA Male Right Angle Low Loss Cable Using LMR-200-UF Coax with HeatShrink from Pasternack Enterprises has same day shipment for domestic and International orders. Our RF, microwave and millimeter wave products maintain a 99.4% availability and are part of the broadest selection in the industry.

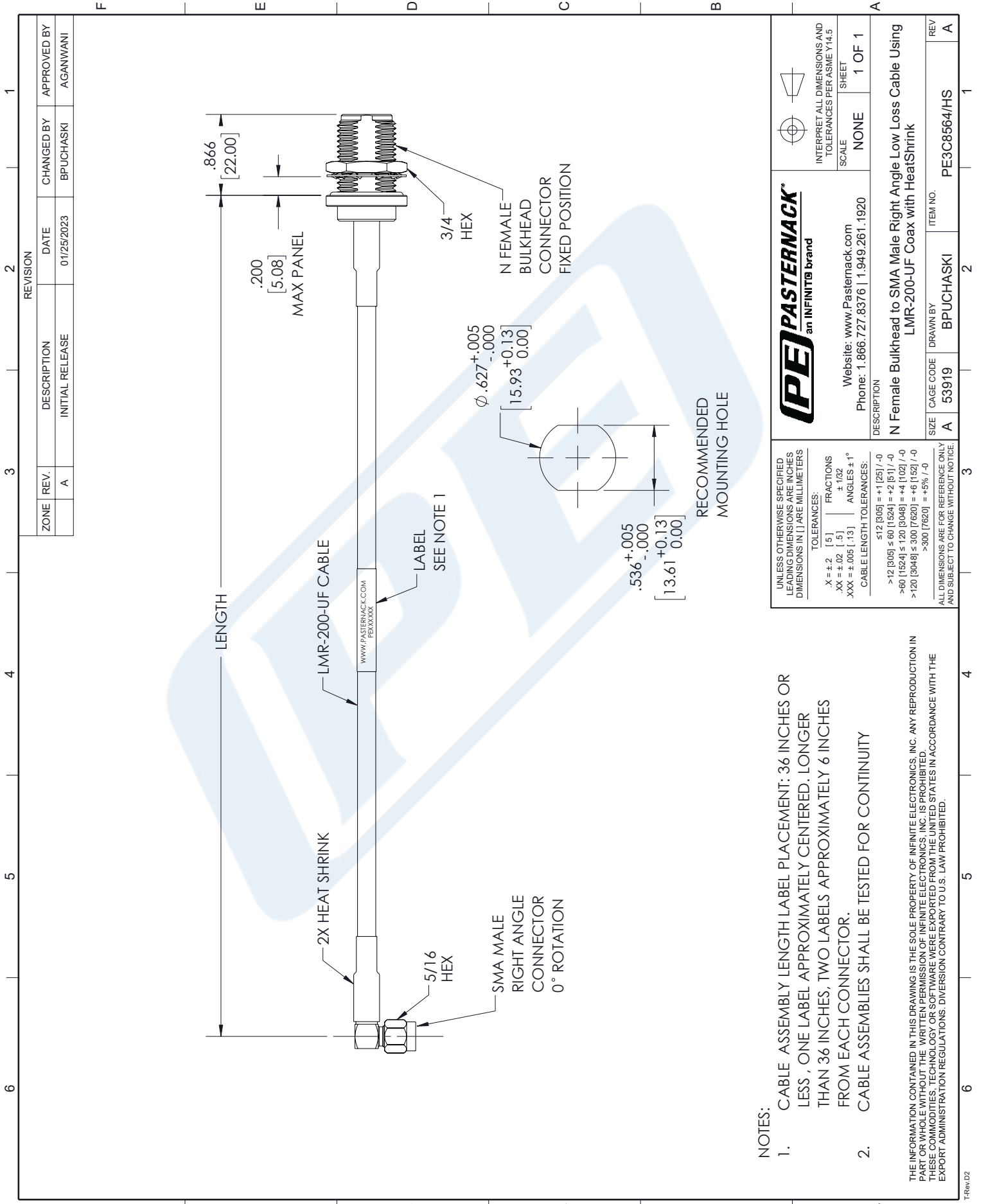
Click the following link (or enter part number in "SEARCH" on website) to obtain additional part information including price, inventory and certifications: [N Female Bulkhead to SMA Male Right Angle Low Loss Cable Using LMR-200-UF Coax with HeatShrink PE3C8564/HS](#)

URL: <https://www.pasternack.com/n-female-bulkhead-to-sma-male-low-loss-cable-using-lmr-200-uf-with-heatshrink-pe3c8564-hs-p.aspx>

The information contained in this document is accurate to the best of our knowledge and representative of the part described herein. It may be necessary to make modifications to the part and/or the documentation of the part, in order to implement improvements. Pasternack reserves the right to make such changes as required. Unless otherwise stated, all specifications are nominal. Pasternack does not make any representation or warranty regarding the suitability of the part described herein for any particular purpose, and Pasternack does not assume any liability arising out of the use of any part or documentation.

# PE3C8564/HS CAD Drawing

N Female Bulkhead to SMA Male Right Angle Low Loss Cable Using LMR-200-UF Coax with HeatShrink



**NOTES:**

- CABLE ASSEMBLY LENGTH LABEL PLACEMENT: 36 INCHES OR LESS, ONE LABEL APPROXIMATELY CENTERED. LONGER THAN 36 INCHES, TWO LABELS APPROXIMATELY 6 INCHES FROM EACH CONNECTOR.
- CABLE ASSEMBLIES SHALL BE TESTED FOR CONTINUITY

THE INFORMATION CONTAINED IN THIS DRAWING IS THE SOLE PROPERTY OF INFINITE ELECTRONICS, INC. ANY REPRODUCTION IN PART OR WHOLE WITHOUT THE WRITTEN PERMISSION OF INFINITE ELECTRONICS, INC. IS PROHIBITED. THESE COMMODITIES, TECHNOLOGY OR SOFTWARE WERE EXPORTED FROM THE UNITED STATES IN ACCORDANCE WITH THE EXPORT ADMINISTRATION REGULATIONS. DIVERSION CONTRARY TO U.S. LAW PROHIBITED.

UNLESS OTHERWISE SPECIFIED LEADING DIMENSIONS ARE INCHES DIMENSIONS IN [ ] ARE MILLIMETERS	
TOLERANCES:	
X = ±.2 [ 5 ]	FRACTIONS ± 1/32
.XX = ±.02 [ .5 ]	ANGLES ± 1°
XXX = ±.005 [ .13 ]	CABLE LENGTH TOLERANCES:
	≤ 12 [ 305 ] = +1 [ 25 ] / -0
	> 12 [ 305 ] ≤ 60 [ 1524 ] = +2 [ 51 ] / -0
	> 60 [ 1524 ] ≤ 120 [ 3048 ] = +4 [ 102 ] / -0
	> 120 [ 3048 ] ≤ 300 [ 7620 ] = +6 [ 152 ] / -0
	> 300 [ 7620 ] = +5% / -0
ALL DIMENSIONS ARE FOR REFERENCE ONLY AND SUBJECT TO CHANGE WITHOUT NOTICE.	

Website: <a href="http://www.Pasternack.com">www.Pasternack.com</a> Phone: 1.866.727.8376   1.949.261.1920		SCALE	SHEET
DESCRIPTION		NONE	1 OF 1
N Female Bulkhead to SMA Male Right Angle Low Loss Cable Using LMR-200-UF Coax with HeatShrink			
SIZE	CAGE CODE	DRAWN BY	ITEM NO.
A	53919	BPUCHASKI	PE3C8564/HS
REV			A