

N Female Bulkhead to Straight Cut Lead Cable Using PE-P086 Coax



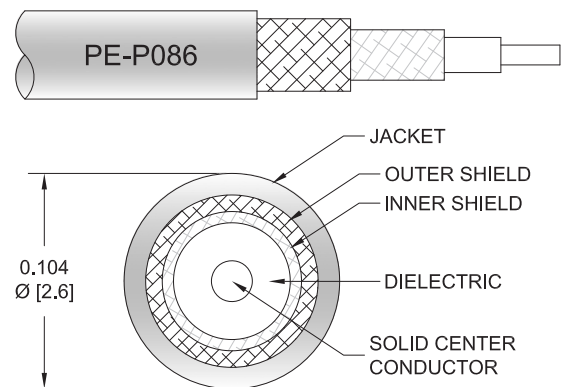
PE3C9532

Configuration

- Connector 1: N Female Bulkhead
- Connector 2: Straight Cut Lead
- Cable Type: PE-P086
- Coax Flex Type: Flexible

Features

- Shielding Effectivity > 110 dB
- 70% Phase Velocity
- Double Shielded
- FEP Jacket



Applications

- General Purpose
- Laboratory Use

Description

Pasternack's PE3C9532 50 ohm type N female bulkhead to straight cut lead cable using PE-P086 coax is part of our full line of RF components available for same-day shipping. Pasternack's flexible RF cable assemblies are ideal for applications where tight bends and flexure are required. Our RF cable assembly with type N bulkhead interface allows designers to create external connections on their product enclosures, and can be used in a variety of other rack mount and panel mount applications. The double shielding of this Pasternack cable assembly provides excellent shielding effectiveness of better than 110 dB.

Custom versions of most RF cable assemblies can be built and shipped same day. Custom cable assembly lengths can be obtained by specifying the desired length on the web site at time of order or by contacting a sales representative. Other available RF cable assembly value added services include connector orientation or clocking, heat shrink booting and custom labeling. RF testing can also be performed to document the electrical performance of your cable assembly.

Electrical Specifications

Description	Minimum	Typical	Maximum	Units
Velocity of Propagation		70		%
RF Shielding	110			dB
Capacitance		29.4 [96.46]		pF/ft [pF/m]

Mechanical Specifications

Cable Assembly

Width/Diameter	0.5 in [12.7 mm]
Weight	0.097 lbs [44 g]

Cable

Cable Type	PE-P086
Impedance	50 Ohms

N Female Bulkhead to Straight Cut Lead Cable Using PE-P086 Coax



PE3C9532

Inner Conductor Type	Solid
Inner Conductor Material and Plating	Copper Clad Steel, Silver
Dielectric Type	PTFE
Number of Shields	2
Shield Layer 1	Silver Plated Copper Tape
Shield Layer 2	Silver Plated Copper Braid
Jacket Material	FEP, Blue
Jacket Diameter	0.104 in [2.64 mm]
Repeated Minimum Bend Radius	0.5 in [12.7 mm]

Connectors

Description	Connector 1	Connector 2
Type	N Female Bulkhead	Straight Cut Lead
Impedance	50 Ohms	0 Ohms
Configuration	Straight	Straight
Contact Material and Plating	Phosphor Bronze, Gold over Nickel	
Dielectric Type	PTFE	
Body Material and Plating	Brass, Nickel	

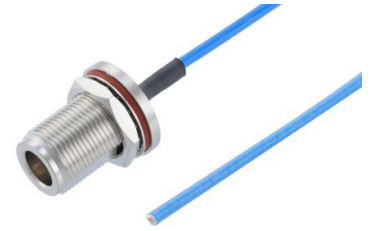
Environmental Specifications

Compliance Certifications (see [product page](#) for current document)

Plotted and Other Data

Notes:

N Female Bulkhead to Straight Cut Lead Cable Using PE-P086 Coax



PE3C9532

Typical Performance Data

How to Order

Part Number Configuration:

PE3C9532

- **xx**

uu

Unit of Measure:
cm = Centimeters
<blank> = Inches
Length
Base Number

Example: PE3C9532-12 = 12 inches long cable
PE3C9532-100cm = 100 cm long cable

N Female Bulkhead to Straight Cut Lead Cable Using PE-P086 Coax from Pasternack Enterprises has same day shipment for domestic and International orders. Our RF, microwave and millimeter wave products maintain a 99.4% availability and are part of the broadest selection in the industry.

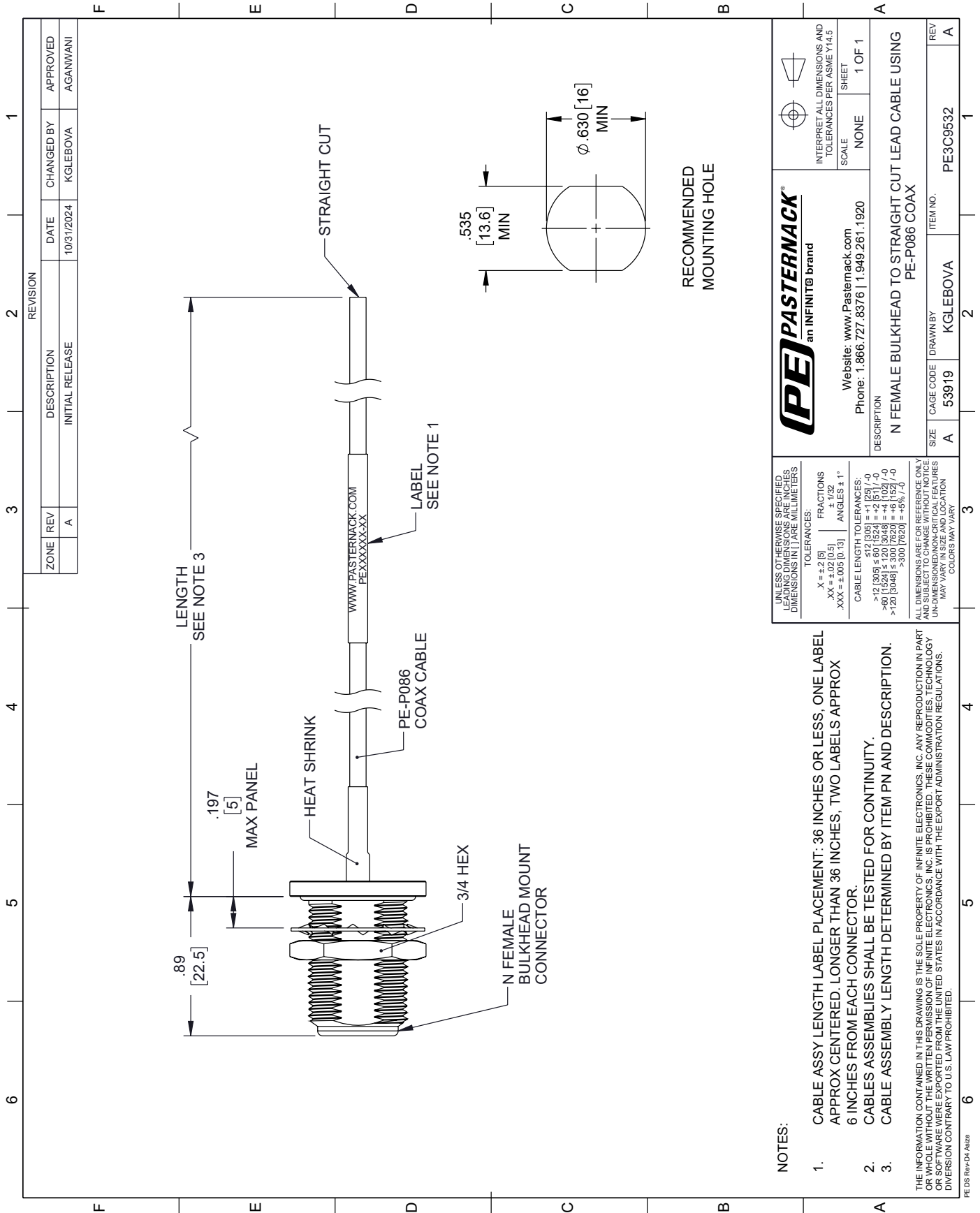
Click the following link (or enter part number in "SEARCH" on website) to obtain additional part information including price, inventory and certifications: [N Female Bulkhead to Straight Cut Lead Cable Using PE-P086 Coax PE3C9532](#)

URL: <https://www.pasternack.com/n-female-bulkhead-to-straight-cut-lead-cable-using-pe-p086-pe3c9532-p.aspx>

The information contained within this document is accurate to the best of our knowledge and representative of the part described herein. It may be necessary to make modifications to the part and/or the documentation of the part in order to implement improvements. Pasternack Enterprises reserves the right to make such changes as required. Unless otherwise stated, all specifications are nominal. Pasternack Enterprises does not make any representation or warranty regarding the suitability of the part described herein for any particular purpose, and Pasternack Enterprises does not assume liability arising out of the use of any part or document.

PE3C9532 CAD Drawing

N Female Bulkhead to Straight Cut Lead Cable Using PE-P086 Coax



NOTES:

1. CABLE ASSY LENGTH LABEL PLACEMENT: 36 INCHES OR LESS, ONE LABEL APPROX CENTERED. LONGER THAN 36 INCHES, TWO LABELS APPROX 6 INCHES FROM EACH CONNECTOR.
2. CABLES ASSEMBLIES SHALL BE TESTED FOR CONTINUITY.
3. CABLE ASSEMBLY LENGTH DETERMINED BY ITEM PN AND DESCRIPTION.

ALL DIMENSIONS ARE FOR REFERENCE ONLY. ANY REPRODUCTION IN PART OR WHOLE WITHOUT THE WRITTEN PERMISSION OF INFINITE ELECTRONICS, INC. IS PROHIBITED. THESE COMMODITIES, TECHNOLOGY OR SOFTWARE WERE EXPORTED FROM THE UNITED STATES IN ACCORDANCE WITH THE EXPORT ADMINISTRATION REGULATIONS. DIVERSION CONTRARY TO U.S. LAW PROHIBITED.

UNLESS OTHERWISE SPECIFIED LEADING DIMENSIONS ARE INCHES DIMENSIONS IN PAREMILLIMETERS	
TOLERANCES:	
.X = ±.02 [0.5]	FRACTIONS ± 1/32
.XX = ±.02 [0.5]	ANGLES ± 1°
.XXX = ±.005 [0.13]	
CABLE LENGTH TOLERANCES:	
>12 [305] ≤ 60 [1524] = +1 [25] / -0	
>60 [1524] ≤ 120 [3048] = +4 [102] / -0	
>120 [3048] ≤ 300 [7620] = +5.8 [148]	
ALL DIMENSIONS ARE FOR REFERENCE ONLY. ANY REPRODUCTION IN PART OR WHOLE WITHOUT THE WRITTEN PERMISSION OF INFINITE ELECTRONICS, INC. IS PROHIBITED. THESE COMMODITIES, TECHNOLOGY OR SOFTWARE WERE EXPORTED FROM THE UNITED STATES IN ACCORDANCE WITH THE EXPORT ADMINISTRATION REGULATIONS. DIVERSION CONTRARY TO U.S. LAW PROHIBITED.	
DIMENSIONS IN SIZE AND LOCATION MAY VARY IN SIZE AND LOCATION COLORS MAY VARY	

Website: www.Pasternack.com Phone: 1.866.727.8376 1.949.261.1920		SCALE: NONE SHEET: 1 OF 1
INTERPRET ALL DIMENSIONS AND TOLERANCES PER ASME Y14.5		
DESCRIPTION: N FEMALE BULKHEAD TO STRAIGHT CUT LEAD CABLE USING PE-P086 COAX		
SIZE: A	CAGE CODE: 53919	DRAWN BY: KGLEBOVA
ITEM NO.: PE3C9532		REV: A