



## HMCX32 1.2 Plug to HMCX32 1.2 Plug Cable 9 Inch Length Using 0.81mm Coax, RoHS

### TECHNICAL DATA SHEET

PE3CA1058-9

Pasternack's HMCX32 1.2 series ultra-miniature coaxial cable assemblies (also called 1.2mm HMCX32 1.2) have a mated connection height of only 1.2mm. They are constructed using a flexible micro-coax cable and are compatible with products such as Murata HSC and IPEX MHF4. Our HMCX32 1.2 plug connectors are comparable in design to the Murata HSC connectors and the IPEX MHF4 series connectors. Pasternack also provided three additional connector options for our in-series 0.81mm micro-coax jumper cables including UMCX 2.1, WMCX 1.6 and HMCX32 1.2 connectors.

These small form factor, flexible micro-coax jumper cables provide a low profile RF connection perfect for board-to-board connectivity such as mini-PCI circuit boards. With performance up to 6 GHz, these HMCX32 1.2 jumper cables are ideal for wireless applications including Wi-Fi, Bluetooth, GPS, ZigBee, LTE and many others. Our WMCX 1.6 cable assemblies are available from stock in standard lengths, and custom lengths are available upon request. Standard length HMCX32 1.2 cables ship same day they are ordered.

#### Features

- 1.2mm mated assembly height
- Operate from DC to 6 GHz
- 100% RF and Continuity tested
- Compatible with Murata HSC and IPEX MHF4 products
- Small foot print with easy snap on/off mating

#### Applications

- Wireless LAN, Mini PCI
- Mobile Antenna/GPS/Radio Systems
- PDA/PCS/Cellular Handset applications
- Wireless Communications systems ( LAN, GSM, PCS, WCDMA, UMTS)

#### Configuration

Connector 1	HMCX32 1.2 Plug
Connector 2	HMCX32 1.2 Plug
Cable Type	0.81mm

#### Electrical Specifications

Frequency Range	DC to 6 GHz
Impedance	50 Ohms
Max VSWR	1.55:1

#### Performance by Frequency

##### Frequency 1

Frequency	250 MHz
VSWR	1.4:1
Return Loss	15.56 dB
Insertion Loss	0.25 dB

##### Frequency 2

Frequency	500 MHz
VSWR	1.4:1
Return Loss	15.56 dB
Insertion Loss	0.48 dB

Click the following link (or enter part number in "SEARCH" on website) to obtain additional part information including price, inventory and certifications: [HMCX32 1.2 Plug to HMCX32 1.2 Plug Cable 9 Inch Length Using 0.81mm Coax, RoHS PE3CA1058-9](#)



HMCX32 1.2 Plug to HMCX32 1.2 Plug Cable  
9 Inch Length Using 0.81mm Coax, RoHS

TECHNICAL DATA SHEET

PE3CA1058-9

**Frequency 3**

Frequency	1000 MHz
VSWR	1.4:1
Return Loss	15.56 dB
Insertion Loss	0.95 dB

**Frequency 4**

Frequency	2.5 GHz
VSWR	1.4:1
Return Loss	15.56 dB
Insertion Loss	1.6 dB

**Frequency 5**

Frequency	6 GHz
VSWR	1.55:1
Return Loss	13.32 dB
Insertion Loss	2.59 dB

**Mechanical Specifications**

**Temperature**

Temperature Operating Range	-55 to +125 deg C
-----------------------------	-------------------

**Size**

Length	9 in [228.6 mm]
--------	-----------------

**Cable**

Cable Type	0.81mm
Inner Conductor Type	Stranded
Cable Inner Conductor	Copper, Silver
No of Shields	1
Cable Outer Conductor	Tinned Copper
Dielectric Type	FEP
Jacket Material	FEP
Jacket Diameter	0.032 in [0.81 mm]

**Connector 1**

Type	HMCX32 1.2 Plug
Configuration	Straight

**Connector 2**

Type	HMCX32 1.2 Plug
Configuration	Straight

**Compliance Certifications** (visit [www.Pasternack.com](http://www.Pasternack.com) for current document)

RoHS Compliant	Yes
----------------	-----

Click the following link (or enter part number in "SEARCH" on website) to obtain additional part information including price, inventory and certifications: [HMCX32 1.2 Plug to HMCX32 1.2 Plug Cable 9 Inch Length Using 0.81mm Coax, RoHS PE3CA1058-9](#)



HMCX32 1.2 Plug to HMCX32 1.2 Plug Cable  
9 Inch Length Using 0.81mm Coax, RoHS

TECHNICAL DATA SHEET PE3CA1058-9

**Plotted and Other Data**

Notes:

- Values at +25 °C, sea level

**How to Order**

Part Number Configuration:

**PE3CA1058 - xx uu**



Example: PE3CA1058-12 = 12 inches long cable  
PE3CA1058-100cm = 100 cm long cable

HMCX32 1.2 Plug to HMCX32 1.2 Plug Cable 9 Inch Length Using 0.81mm Coax, RoHS from Pasternack Enterprises has same day shipment for domestic and International orders. Our RF, microwave and millimeter wave products maintain a 99% availability and are part of the broadest selection in the industry.

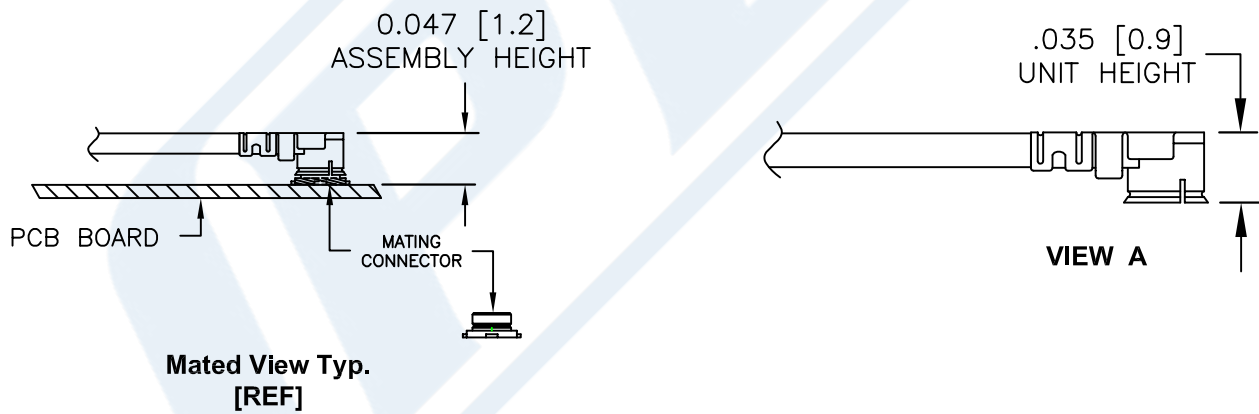
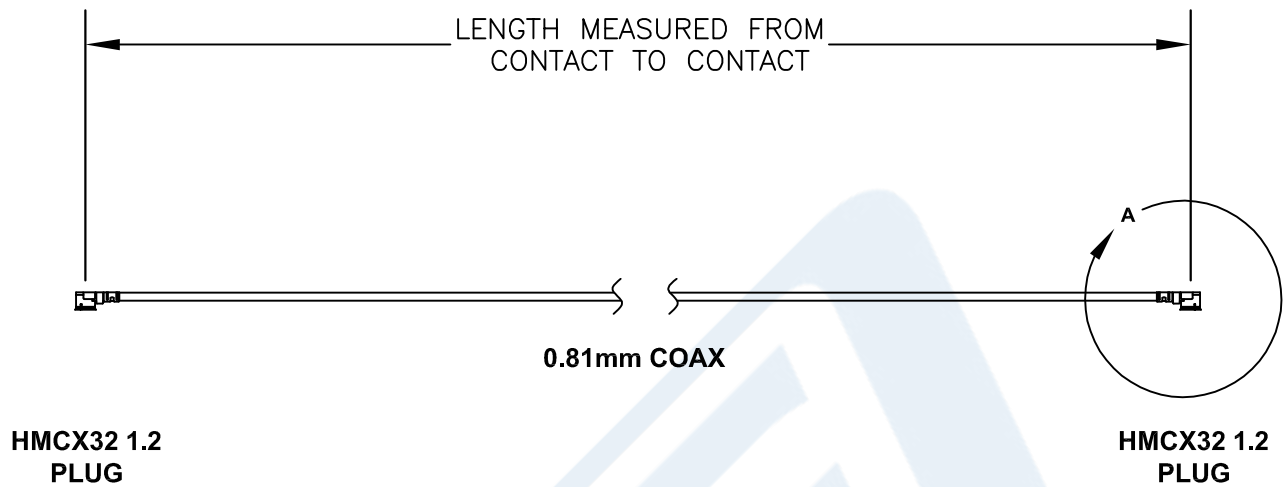
Click the following link (or enter part number in "SEARCH" on website) to obtain additional part information including price, inventory and certifications: [HMCX32 1.2 Plug to HMCX32 1.2 Plug Cable 9 Inch Length Using 0.81mm Coax, RoHS PE3CA1058-9](http://www.pasternack.com/hmcx32-1.2-plug-hmcx32-1.2-plug-0.81mm-cable-assembly-pe3ca1058-9-p.aspx)

URL: <http://www.pasternack.com/hmcx32-1.2-plug-hmcx32-1.2-plug-0.81mm-cable-assembly-pe3ca1058-9-p.aspx>

The information contained in this document is accurate to the best of our knowledge and representative of the part described herein. It may be necessary to make modifications to the part and/or the documentation of the part, in order to implement improvements. Pasternack reserves the right to make such changes as required. Unless otherwise stated, all specifications are nominal. Pasternack does not make any representation or warranty regarding the suitability of the part described herein for any particular purpose, and Pasternack does not assume any liability arising out of the use of any part or documentation.

# PE3CA1058-9 CAD Drawing

HMCX32 1.2 Plug to HMCX32 1.2 Plug Cable 9 Inch Length Using 0.81mm Coax, RoHS



UMCX connectors are similar to U.FL\*  
 \*U.FL is a Registered Trademark of  
 Hirose Electronic Group



Pasternack Enterprises, Inc.  
 P.O. Box 16759 | Irvine | CA | 92623

Phone: (949) 261-1920 | Fax: (949) 261-7451

Website: www.pasternack.com | E-Mail: sales@pasternack.com

**NOTES:**

1. UNLESS OTHERWISE SPECIFIED ALL DIMENSIONS ARE NOMINAL.
2. ALL SPECIFICATIONS ARE SUBJECT TO CHANGE WITHOUT NOTICE AT ANY TIME.
3. DIMENSIONS ARE IN INCHES [mm].
4. LENGTH TOLERANCE IS  $\pm 1.5\%$  OR  $3/8"$ , WHICHEVER IS GREATER.

DWG TITLE

**PE3CA1058**

FSCM NO. 53919

CAD FILE

011515

SCALE N/A

SIZE A

200