



## SMA Male to BNC Male Cable 200 cm Length Using RG405 Coax , LF Solder

### RF Cable Assemblies Technical Data Sheet

PE3W00079LF-200CM

#### Configuration

- Connector 1: SMA Male
- Connector 2: BNC Male
- Cable Type: RG405

#### Applications

- General Purpose
- Laboratory Use

#### Description

Pasternack's PE3W00079LF-200CM SMA male to BNC male 200 cm cable using RG405 coax is part of our full line of RF components available for same-day shipping. Pasternack's semi-rigid RF cable assemblies are ideal for high performance applications and can be formed, using proper tooling, to the routing pattern required. This Pasternack SMA to BNC cable assembly has a male to male gender configuration with 50 ohm semi-rigid RG405 coax.

Custom versions of most RF cable assemblies can be built and shipped same day. Custom cable assembly lengths can be obtained by specifying the desired length on the web site at time of order or by contacting a sales representative. Other available RF cable assembly value added services include connector orientation or clocking, heat shrink booting and custom labeling. RF testing can also be performed to document the electrical performance of your cable assembly.

#### Mechanical Specifications

##### Cable Assembly

Length\* 78.74 in [200 cm]

##### Cable

Cable Type	RG405
Impedance	50 Ohms
Inner Conductor Type	Solid
Inner Conductor Material and Plating	Copper Clad Steel, Silver
Dielectric Type	PTFE
Number of Shields	1
Shield Layer 1	Copper

Click the following link (or enter part number in "SEARCH" on website) to obtain additional part information including price, inventory and certifications: [SMA Male to BNC Male Cable 200 cm Length Using RG405 Coax , LF Solder PE3W00079LF-200CM](#)



SMA Male to BNC Male Cable 200 cm Length  
Using RG405 Coax , LF Solder

RF Cable Assemblies Technical Data Sheet

PE3W00079LF-200CM

**Connectors**

Description	Connector 1	Connector 2
Type	SMA Male	BNC Male
Impedance	50 Ohms	50 Ohms
Mating Cycles	500	
Contact Material and Plating	Brass, Gold	
Contact Plating Specification	50µ in. minimum, MIL-G-45204	
Dielectric Type	PTFE	
Body Material and Plating	Stainless Steel, Gold	Brass, Nickel
Body Plating Specification	MIL-G-45204	
Coupling Nut Material and Plating	Brass, Nickel	
Coupling Nut Plating Specification	QQ-N-290	
Hex Size	5/16 in.	
Torque	5 in-lbs [0.57 Nm]	

Mechanical Specification Notes:

\*All cable assemblies have a length tolerance of 1.5% or ± 3/8", whichever is greater.

**Compliance Certifications** (see [product page](#) for current document)

**Plotted and Other Data**

Notes:

Click the following link (or enter part number in "SEARCH" on website) to obtain additional part information including price, inventory and certifications: [SMA Male to BNC Male Cable 200 cm Length Using RG405 Coax , LF Solder PE3W00079LF-200CM](#)



SMA Male to BNC Male Cable 200 cm Length  
Using RG405 Coax , LF Solder

RF Cable Assemblies Technical Data Sheet

PE3W00079LF-200CM

**How to Order**

Part Number Configuration:

**PE3W00079LF - xx uu**

Unit of Measure:  
cm = Centimeters  
<blank> = Inches  
Length  
Base Number

Example: PE3W00079LF-12 = 12 inches long cable  
PE3W00079LF-100cm = 100 cm long cable

SMA Male to BNC Male Cable 200 cm Length Using RG405 Coax , LF Solder from Pasternack Enterprises has same day shipment for domestic and International orders. Our RF, microwave and millimeter wave products maintain a 99.4% availability and are part of the broadest selection in the industry.

Click the following link (or enter part number in "SEARCH" on website) to obtain additional part information including price, inventory and certifications: [SMA Male to BNC Male Cable 200 cm Length Using RG405 Coax , LF Solder PE3W00079LF-200CM](https://www.pasternack.com/sma-male-bnc-male-rg405u-cable-assembly-pe3w00079lf-200cm)

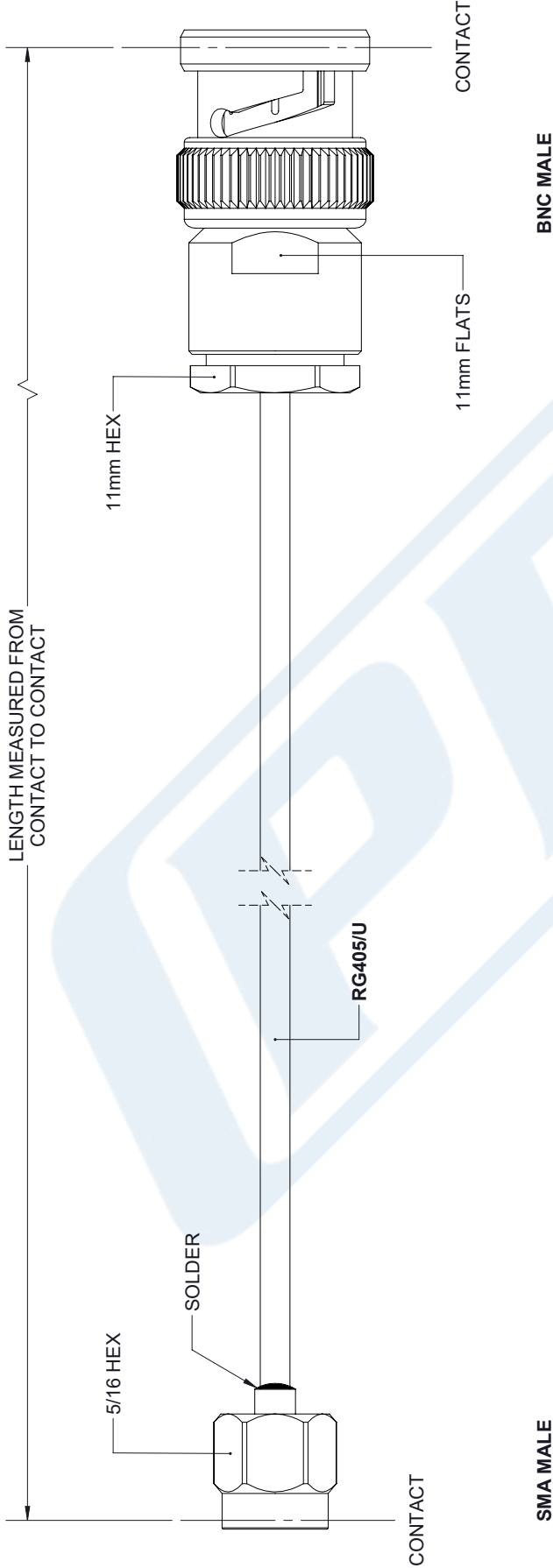
URL: <https://www.pasternack.com/sma-male-bnc-male-rg405u-cable-assembly-pe3w00079lf-200cm-p.aspx>

The information contained in this document is accurate to the best of our knowledge and representative of the part described herein. It may be necessary to make modifications to the part and/or the documentation of the part, in order to implement improvements. Pasternack reserves the right to make such changes as required. Unless otherwise stated, all specifications are nominal. Pasternack does not make any representation or warranty regarding the suitability of the part described herein for any particular purpose, and Pasternack does not assume any liability arising out of the use of any part or documentation.

# PE3W00079LF-200CM CAD Drawing

SMA Male to BNC Male Cable 200 cm Length Using RG405 Coax , LF Solder

REVISIONS			
REV.	DESCRIPTION	DATE	APPROVED
A	INITIAL RELEASE	04/23/19	S.ELLIS



<p>UNLESS OTHERWISE SPECIFIED LEADING DIMENSIONS ARE INCHES DIMENSIONS IN [ ] ARE MILLIMETERS</p> <p>TOLERANCES:</p> <table border="0"> <tr> <td>X±.2</td> <td>[5.08]</td> <td>FRACTIONS</td> </tr> <tr> <td>.XX±.01</td> <td>[.25]</td> <td>±.132</td> </tr> <tr> <td>.XXX±.005</td> <td>[.13]</td> <td>ANGLES ± 1°</td> </tr> </table> <p>ALL DIMENSIONS SHOWN ARE FOR REFERENCE ONLY.</p> <p>THIRD-ANGLE PROJECTION</p>	X±.2	[5.08]	FRACTIONS	.XX±.01	[.25]	±.132	.XXX±.005	[.13]	ANGLES ± 1°	<p><b>PE PASTERNAK</b> an INFINITO brand</p> <p>Pasternack Enterprises, Inc. P.O. Box 16759, Irvine, CA 92623. Phone: 1.949.261.1920   1.866.727.8376 Fax: 1.949.261.7451 www.pasternack.com   e-mail: sales@pasternack.com</p>	<p>THE INFORMATION AND DESIGN IN THIS DOCUMENT IS THE PROPERTY OF PASTERNAK CORPORATION. ALL RIGHTS RESERVED.</p>
	X±.2	[5.08]	FRACTIONS								
.XX±.01	[.25]	±.132									
.XXX±.005	[.13]	ANGLES ± 1°									
<p>SIZE: A</p> <p>CAGE: 53919</p> <p>DRAWN BY: K.DANG</p> <p>PART NUMBER: PE3W00079LF</p>	<p>SHEET 1 OF 1</p> <p>SCALE: N/A</p>										

THESE COMMODITIES, TECHNOLOGY OR SOFTWARE WERE EXPORTED FROM THE UNITED STATES IN ACCORDANCE WITH THE EXPORT ADMINISTRATION REGULATIONS. DIVERSION CONTRARY TO U.S. LAW PROHIBITED.