



SMA Male to N Female Cable 12 Inch Length Using PE-P195 Coax

RF Cable Assemblies Technical Data Sheet

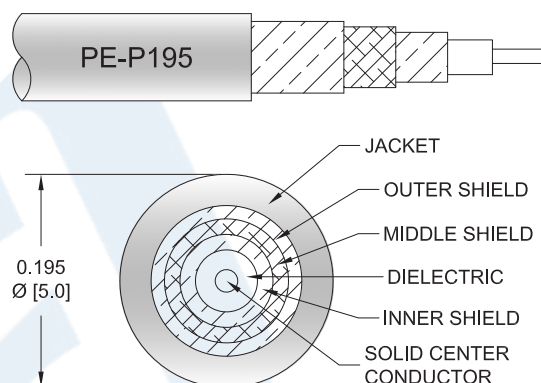
PE3W00250-12

Configuration

- Connector 1: SMA Male
- Connector 2: N Female
- Cable Type: PE-P195

Features

- Max Frequency 3 GHz
- 70% Phase Velocity
- Triple Shielded
- FEP Jacket



Applications

- General Purpose
- Laboratory Use

Description

Pasternack's PE3W00250-12 SMA male to type N female 12 inch cable using PE-P195 coax is part of our full line of RF components available for same-day shipping. Pasternack's flexible RF cable assemblies are ideal for applications where tight bends and flexure are required. This Pasternack SMA to type N cable assembly has a male to female gender configuration with 50 ohm flexible PE-P195 coax. The PE3W00250-12 SMA male to type N female cable assembly operates to 3 GHz. The triple shielding of this Pasternack cable assembly provides excellent shielding effectiveness.

Custom versions of most RF cable assemblies can be built and shipped same day. Custom cable assembly lengths can be obtained by specifying the desired length on the web site at time of order or by contacting a sales representative. Other available RF cable assembly value added services include connector orientation or clocking, heat shrink booting and custom labeling. RF testing can also be performed to document the electrical performance of your cable assembly.

Electrical Specifications

Description	Minimum	Typical	Maximum	Units
Frequency Range	DC		3	GHz
VSWR			1.5:1	
Velocity of Propagation		70		%
Capacitance		29 [95.14]		pF/ft [pF/m]
Jacket Spark			2,000	Vrms

Click the following link (or enter part number in "SEARCH" on website) to obtain additional part information including price, inventory and certifications: [SMA Male to N Female Cable 12 Inch Length Using PE-P195 Coax PE3W00250-12](#)



SMA Male to N Female Cable 12 Inch Length Using PE-P195 Coax

RF Cable Assemblies Technical Data Sheet

PE3W00250-12

Specifications by Frequency

Description	F1	F2	F3	F4	F5	Units
Frequency	0.1	0.25	0.5	1	3	GHz
Insertion Loss (Max.)	0.24	0.26	0.29	0.33	0.42	dB

Electrical Specification Notes:

The Insertion Loss data above is based on the performance specifications of the coax used in this assembly. The Insertion Loss includes as estimated insertion loss of 0.2dB of connector loss.

Mechanical Specifications

Cable Assembly

Length* 12 in [304.8 mm]
 Diameter 0.67 in [17.02 mm]

Cable

Cable Type PE-P195
 Impedance 50 Ohms
 Inner Conductor Type Solid
 Inner Conductor Material and Plating Copper Clad Steel, Silver
 Dielectric Type PTFE
 Number of Shields 3
 Shield Layer 1 Silver Plated Copper
 Shield Layer 2 Aluminum Tape
 Shield Layer 3 Silver Plated Copper Braid
 Jacket Material FEP, Tan
 Jacket Diameter 0.195 in [4.95 mm]

Connectors

Description	Connector 1	Connector 2
Type	SMA Male	N Female
Impedance	50 Ohms	50 Ohms
Contact Material and Plating	Gold	Phosphor Bronze, Gold
Dielectric Type	PTFE	Teflon
Body Material and Plating	Brass, Nickel	Brass, Tri-Metal
Coupling Nut Material and Plating	Brass, Nickel	
Hex Size	16-May in	
Torque	5 in-lbs [0.57 Nm]	

Click the following link (or enter part number in "SEARCH" on website) to obtain additional part information including price, inventory and certifications: [SMA Male to N Female Cable 12 Inch Length Using PE-P195 Coax PE3W00250-12](#)



SMA Male to N Female Cable 12 Inch Length Using PE-P195 Coax

RF Cable Assemblies Technical Data Sheet

PE3W00250-12

Mechanical Specification Notes:

*All cable assemblies have a length tolerance of 1.5% or $\pm 3/8"$, whichever is greater.

Compliance Certifications (see [product page](#) for current document)

Plotted and Other Data

Notes:

How to Order

Part Number Configuration:

PE3W00250 - xx uu

Unit of Measure:
cm = Centimeters
<blank> = Inches
Length
Base Number

Example: PE3W00250-12 = 12 inches long cable
PE3W00250-100cm = 100 cm long cable

SMA Male to N Female Cable 12 Inch Length Using PE-P195 Coax from Pasternack Enterprises has same day shipment for domestic and International orders. Our RF, microwave and millimeter wave products maintain a 99.4% availability and are part of the broadest selection in the industry.

Click the following link (or enter part number in "SEARCH" on website) to obtain additional part information including price, inventory and certifications: [SMA Male to N Female Cable 12 Inch Length Using PE-P195 Coax PE3W00250-12](#)

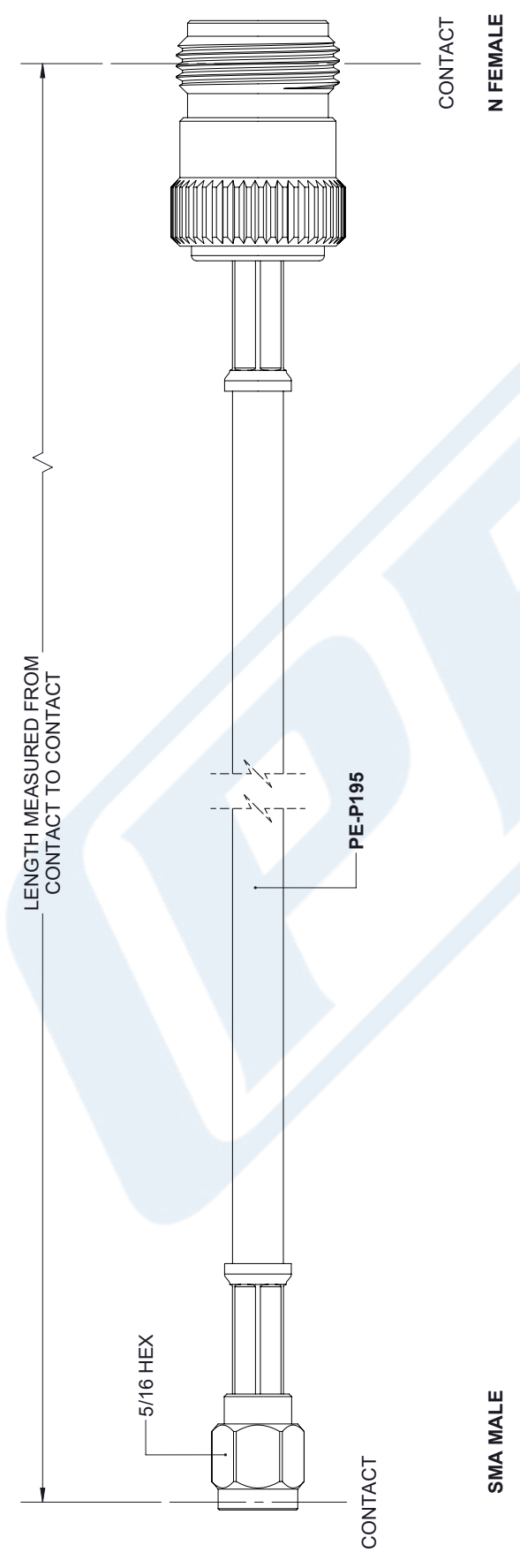
URL: <https://www.pasternack.com/sma-male-n-female-pe-p195-cable-assembly-pe3w00250-12-p.aspx>

The information contained in this document is accurate to the best of our knowledge and representative of the part described herein. It may be necessary to make modifications to the part and/or the documentation of the part, in order to implement improvements. Pasternack reserves the right to make such changes as required. Unless otherwise stated, all specifications are nominal. Pasternack does not make any representation or warranty regarding the suitability of the part described herein for any particular purpose, and Pasternack does not assume any liability arising out of the use of any part or documentation.

PE3W00250-12 CAD Drawing

SMA Male to N Female Cable 12 Inch Length Using PE-P195 Coax

REVISIONS		
REV.	DESCRIPTION	DATE
A	INITIAL RELEASE	04/17/19
		APPROVED J.GARCIA



<p>UNLESS OTHERWISE SPECIFIED LEADING DIMENSIONS ARE INCHES DIMENSIONS IN [] ARE MILLIMETERS</p> <p>TOLERANCES:</p> <table style="width: 100%; border-collapse: collapse;"> <tr> <td style="width: 33%;">X±.2</td> <td style="width: 33%;">[5.08]</td> <td style="width: 33%;">FRACTIONS</td> </tr> <tr> <td>.XX±.01</td> <td>[.25]</td> <td>±.132</td> </tr> <tr> <td>.XXX±.005</td> <td>[.13]</td> <td>ANGLES ± 1°</td> </tr> </table> <p>ALL DIMENSIONS SHOWN ARE FOR REFERENCE ONLY.</p> <p>THIRD-ANGLE PROJECTION</p>	X±.2	[5.08]	FRACTIONS	.XX±.01	[.25]	±.132	.XXX±.005	[.13]	ANGLES ± 1°	<p>Pasternack Enterprises, Inc. P.O. Box 16759, Irvine, CA 92623. Phone: 1.949.261.1920 1.866.727.8376 Fax: 1.949.261.7451 www.pasternack.com e-mail: sales@pasternack.com</p>	<p>THE INFORMATION AND DESIGN IN THIS DOCUMENT IS THE PROPERTY OF PASTERNAK CORPORATION. ALL RIGHTS RESERVED.</p> <table style="width: 100%; border-collapse: collapse;"> <tr> <td style="width: 33%;">SHEET</td> <td style="width: 33%;">1</td> <td style="width: 33%;">OF</td> <td style="width: 33%;">1</td> </tr> <tr> <td>SCALE</td> <td colspan="3" style="text-align: center;">N/A</td> </tr> </table>	SHEET	1	OF	1	SCALE	N/A		
X±.2	[5.08]	FRACTIONS																	
.XX±.01	[.25]	±.132																	
.XXX±.005	[.13]	ANGLES ± 1°																	
SHEET	1	OF	1																
SCALE	N/A																		
<table style="width: 100%; border-collapse: collapse;"> <tr> <td style="width: 15%;">SIZE</td> <td style="width: 15%;">A</td> <td style="width: 15%;">CAGE</td> <td style="width: 15%;">53919</td> <td style="width: 15%;">DRAWN BY</td> <td style="width: 15%;">K.DANG</td> <td style="width: 15%;">PART NUMBER</td> <td style="width: 15%;">PE3W00250</td> </tr> <tr> <td>REV</td> <td colspan="7" style="text-align: right;">A</td> </tr> </table>	SIZE	A	CAGE	53919	DRAWN BY	K.DANG	PART NUMBER	PE3W00250	REV	A							<p>THESE COMMODITIES, TECHNOLOGY OR SOFTWARE WERE EXPORTED FROM THE UNITED STATES IN ACCORDANCE WITH THE EXPORT ADMINISTRATION REGULATIONS. DIVERSION CONTRARY TO U.S. LAW PROHIBITED.</p>		
SIZE	A	CAGE	53919	DRAWN BY	K.DANG	PART NUMBER	PE3W00250												
REV	A																		