

N Male to N Male Low Loss Cable Using LMR-100 Coax with HeatShrink



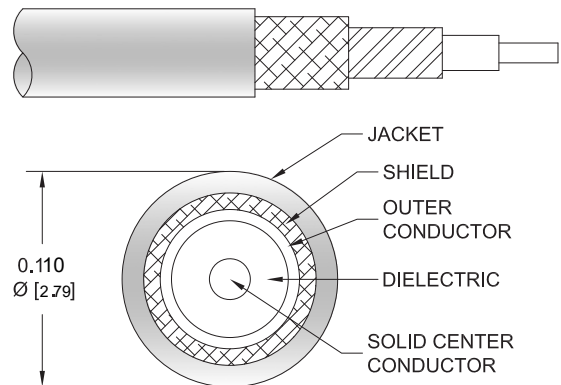
PE3W00759/HS

Configuration

- Connector 1: N Male
- Connector 2: N Male
- Cable Type: LMR-100A
- Coax Flex Type: Flexible

Features

- Shielding Effectivity > 90 dB
- 66% Phase Velocity
- Double Shielded
- PVC Jacket



Applications

- General Purpose
- Laboratory Use

Description

Pasternack's PE3W00759/HS type N male to type N male cable using LMR-100 coax is part of our full line of RF components available for same-day shipping. Pasternack's flexible RF cable assemblies are ideal for applications where tight bends and flexure are required. This Pasternack type N to type N cable assembly has a male to male gender configuration with 50 ohm flexible LMR-100A coax. The double shielding of this Pasternack cable assembly provides excellent shielding effectiveness of better than 90 dB.

Custom versions of most RF cable assemblies can be built and shipped same day. Custom cable assembly lengths can be obtained by specifying the desired length on the web site at time of order or by contacting a sales representative. Other available RF cable assembly value added services include connector orientation or clocking, heat shrink booting and custom labeling. RF testing can also be performed to document the electrical performance of your cable assembly.

Electrical Specifications

| Description | Minimum | Typical | Maximum | Units |
|-------------------------------|---------|---------------|---------|-----------------------|
| Velocity of Propagation | | 66 | | % |
| RF Shielding | 90 | | | dB |
| Group Delay | | 1.54 [5.05] | | ns/ft [ns/m] |
| Capacitance | | 30.8 [101.05] | | pF/ft [pF/m] |
| Inductance | | 0.077 [0.25] | | uH/ft [uH/m] |
| DC Resistance Inner Conductor | | 81 [265.75] | | Ohms/1000ft [Ohms/Km] |
| DC Resistance Outer Conductor | | 9.5 [31.17] | | Ohms/1000ft [Ohms/Km] |
| Jacket Spark | | | 2,000 | Vrms |

Mechanical Specifications

Cable Assembly

Width/Diameter

0.5 in [12.7 mm]

N Male to N Male Low Loss Cable Using LMR-100 Coax with HeatShrink



PE3W00759/HS

| | |
|--------------------------------------|------------------------|
| Weight | 0.164 lbs [74.39 g] |
| Cable | |
| Cable Type | LMR-100A |
| Impedance | 50 Ohms |
| Inner Conductor Type | Solid |
| Inner Conductor Material and Plating | Copper Clad Steel |
| Dielectric Type | PE |
| Number of Shields | 2 |
| Shield Layer 1 | Aluminum Tape |
| Shield Layer 2 | Tinned Copper Braid |
| Jacket Material | PVC, Black |
| Jacket Diameter | 0.11 in [2.79 mm] |
| One Time Minimum Bend Radius | 0.25 in [6.35 mm] |
| Repeated Minimum Bend Radius | 1 in [25.4 mm] |
| Bending Moment | 0.1 lbs-ft [0.14 N-m] |
| Flat Plate Crush | 10 lbs/in [0.18 Kg/mm] |
| Tensile Strength | 15 lbs [6.8 Kg] |

Connectors

| Description | Connector 1 | Connector 2 |
|---------------------------|---------------|---------------|
| Type | N Male | N Male |
| Impedance | 50 Ohms | 50 Ohms |
| Configuration | Straight | Straight |
| Body Material and Plating | Brass, Nickel | Brass, Nickel |

Environmental Specifications

Compliance Certifications (see [product page](#) for current document)

Plotted and Other Data

Notes:

N Male to N Male Low Loss Cable Using LMR-100 Coax with HeatShrink



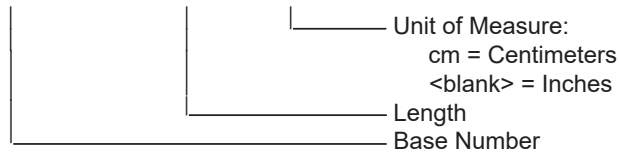
PE3W00759/HS

Typical Performance Data

How to Order

Part Number Configuration:

PE3W00759/HS - xx uu



Example: PE3W00759/HS-12 = 12 inches long cable
PE3W00759/HS-100cm = 100 cm long cable

N Male to N Male Low Loss Cable Using LMR-100 Coax with HeatShrink from Pasternack Enterprises has same day shipment for domestic and International orders. Our RF, microwave and millimeter wave products maintain a 99.4% availability and are part of the broadest selection in the industry.

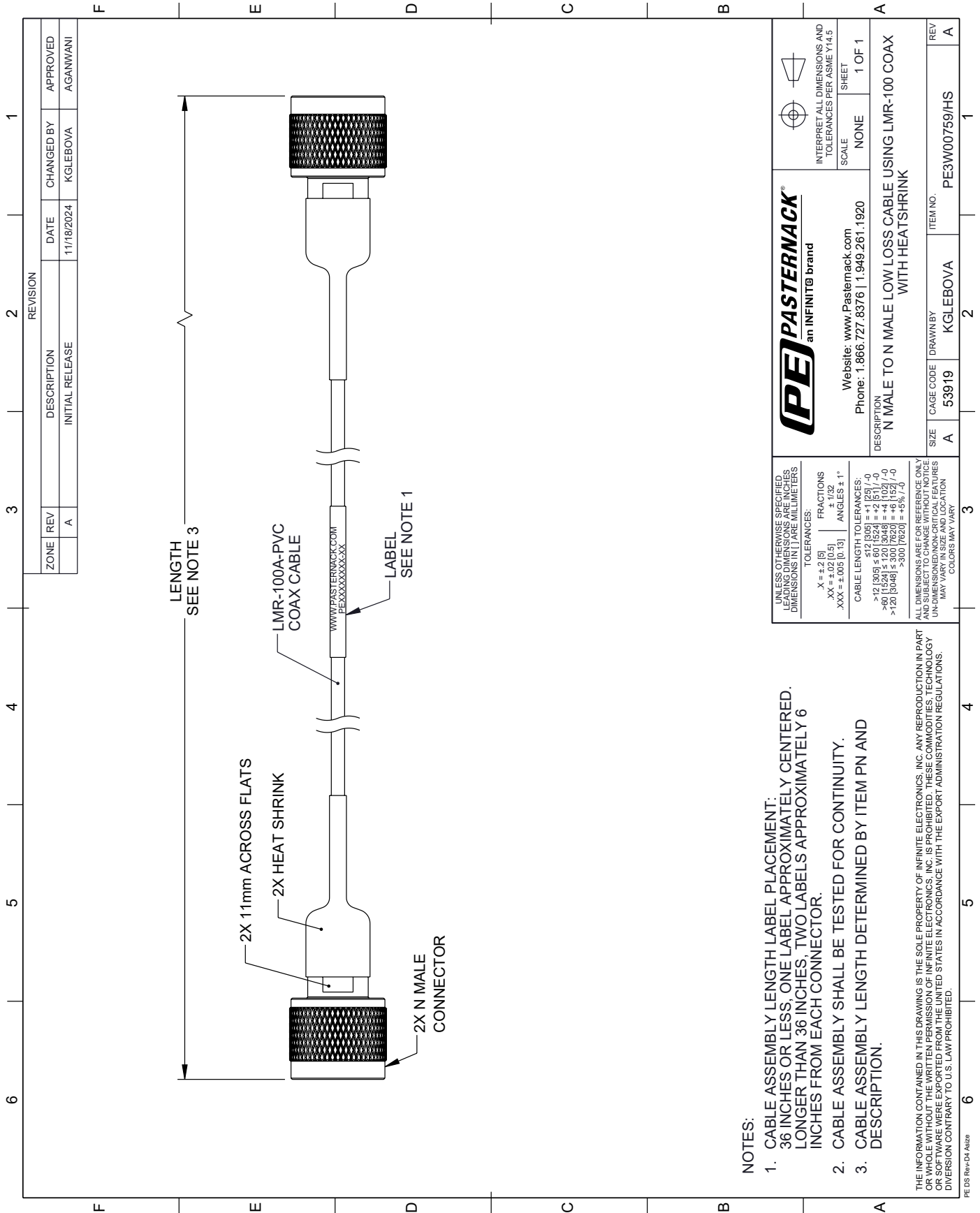
Click the following link (or enter part number in "SEARCH" on website) to obtain additional part information including price, inventory and certifications: [N Male to N Male Low Loss Cable Using LMR-100 Coax with HeatShrink PE3W00759/HS](#)

URL: <https://www.pasternack.com/n-male-to-n-male-low-loss-cable-using-lmr-100-with-heatshrink-pe3w00759-hs-p.aspx>

The information contained within this document is accurate to the best of our knowledge and representative of the part described herein. It may be necessary to make modifications to the part and/or the documentation of the part in order to implement improvements. Pasternack Enterprises reserves the right to make such changes as required. Unless otherwise stated, all specifications are nominal. Pasternack Enterprises does not make any representation or warranty regarding the suitability of the part described herein for any particular purpose, and Pasternack Enterprises does not assume liability arising out of the use of any part or document.


PE3W00759/HS CAD Drawing

N Male to N Male Low Loss Cable Using LMR-100 Coax with HeatShrink



- NOTES:**
1. CABLE ASSEMBLY LENGTH LABEL PLACEMENT: 36 INCHES OR LESS, ONE LABEL APPROXIMATELY CENTERED. LONGER THAN 36 INCHES, TWO LABELS APPROXIMATELY 6 INCHES FROM EACH CONNECTOR.
 2. CABLE ASSEMBLY SHALL BE TESTED FOR CONTINUITY.
 3. CABLE ASSEMBLY LENGTH DETERMINED BY ITEM PN AND DESCRIPTION.

THE INFORMATION CONTAINED IN THIS DRAWING IS THE SOLE PROPERTY OF INFINITE ELECTRONICS, INC. ANY REPRODUCTION IN PART OR WHOLE WITHOUT THE WRITTEN PERMISSION OF INFINITE ELECTRONICS, INC. IS PROHIBITED. THESE COMMODITIES, TECHNOLOGY OR SOFTWARE WERE EXPORTED FROM THE UNITED STATES IN ACCORDANCE WITH THE EXPORT ADMINISTRATION REGULATIONS. DIVERSION CONTRARY TO U.S. LAW PROHIBITED.

| | | |
|---|---|--|
|  <p>PASTERNAK an INFINIT[®] brand</p> | <p>Website: www.Pasternack.com</p> <p>Phone: 1.866.727.8376 1.949.261.1920</p> | <p>INTERPRET ALL DIMENSIONS AND TOLERANCES PER ASME Y14.5</p> <p>SCALE: NONE</p> <p>SHEET: 1 OF 1</p> |
| | <p>DESCRIPTION: N MALE TO N MALE LOW LOSS CABLE USING LMR-100 COAX WITH HEATSHRINK</p> | |
| <p>UNLESS OTHERWISE SPECIFIED LEADING DIMENSIONS ARE INCHES DIMENSIONS IN PAREMILLIMETERS</p> <p>TOLERANCES:</p> <p>X = ±.2 [5] FRACTIONS ± 1/32</p> <p>.XX = ±.02 [0.5] ANGLES ± 1°</p> <p>.XXX = ±.005 [0.13]</p> | <p>CABLE LENGTH TOLERANCES:</p> <p>>12 [305] ≤ 60 [1524] = +.1 [25] / -0</p> <p>>60 [1524] ≤ 120 [3048] = +.4 [102] / -0</p> <p>>120 [3048] ≤ 300 [7620] = +.5 [12.7] / -0</p> | <p>ALL DIMENSIONS ARE FOR REFERENCE ONLY UNLESS OTHERWISE SPECIFIED. DIMENSIONS ON CRITICAL FEATURES MAY VARY IN SIZE AND LOCATION. COLORS MAY VARY.</p> |
| <p>SIZE: A</p> <p>CAGE CODE: 53919</p> <p>DRAWN BY: KGLEBOVA</p> <p>ITEM NO.: PE3W00759/HS</p> | <p>REV: A</p> | |