

Fire Rated SMA Male Right Angle to SMA Male  
Right Angle Low Loss Cable Using LMR-195-  
FR Coax with HeatShrink, LF Solder



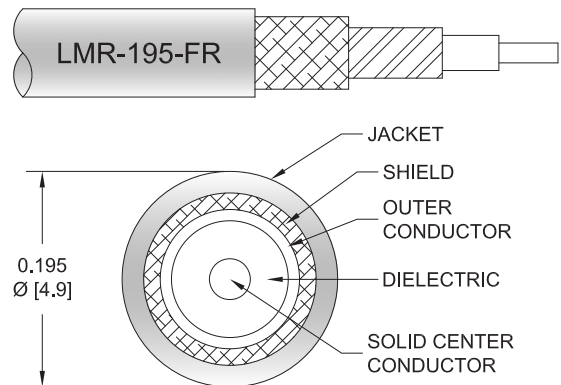
**PE3W01461LF/HS**

**Configuration**

- Connector 1: SMA Male Right Angle
- Connector 2: SMA Male Right Angle
- Cable Type: LMR-195-FR
- Coax Flex Type: Flexible

**Features**

- Max Frequency 8 GHz
- Shielding Effectivity > 90 dB
- 76% Phase Velocity
- Double Shielded
- FRPE Jacket



**Applications**

- General Purpose
- Laboratory Use

**Description**

Pasternack's PE3W01461LF/HS SMA male right angle to SMA male right angle cable using LMR-195-FR coax is part of our full line of RF components available for same-day shipping. Pasternack's flexible RF cable assemblies are ideal for applications where tight bends and flexure are required. This Pasternack SMA to SMA cable assembly has a male to male gender configuration with 50 ohm flexible LMR-195-FR coax. The PE3W01461LF/HS SMA male to SMA male cable assembly operates to 8 GHz. The right angle SMA interfaces on the LMR-195-FR cable allow for easier connections in tight spaces. The double shielding of this Pasternack cable assembly provides excellent shielding effectiveness of better than 90 dB.

Custom versions of most RF cable assemblies can be built and shipped same day. Custom cable assembly lengths can be obtained by specifying the desired length on the web site at time of order or by contacting a sales representative. Other available RF cable assembly value added services include connector orientation or clocking, heat shrink booting and custom labeling. RF testing can also be performed to document the electrical performance of your cable assembly.

**Electrical Specifications**

Description	Minimum	Typical	Maximum	Units
Frequency Range	DC		8	GHz
VSWR			1.4:1	
Velocity of Propagation		76		%
RF Shielding	90			dB
Group Delay		1.27 [4.17]		ns/ft [ns/m]
Capacitance		25.4 [83.33]		pF/ft [pF/m]
Inductance		0.064 [0.21]		uH/ft [uH/m]
DC Resistance Inner Conductor		7.6 [24.93]		Ohms/1000ft [Ohms/Km]
DC Resistance Outer Conductor		4.9 [16.08]		Ohms/1000ft [Ohms/Km]
Operating Voltage (AC)			500	Vrms

Fire Rated SMA Male Right Angle to SMA Male  
Right Angle Low Loss Cable Using LMR-195-  
FR Coax with HeatShrink, LF Solder



## PE3W01461LF/HS

### Electrical Specifications

Description	Minimum	Typical	Maximum	Units
Jacket Spark			3,000	Vrms

### Specifications by Frequency

Part Number	Length	Description	F1	F2	F3	F4	F5	Units	Weight (lbs)
			Frequency					MHz	
PE3W01461LF/HS	Custom Lengths Available	Insertion Loss (Typ.)	0.082	0.117	0.169	0.24	0.357	dB/ft	
			0.27	0.39	0.56	0.79	1.18	dB/m	
PE3W01461LF/HS-12	12 In	Insertion Loss (Typ.)	0.49	0.52	0.57	0.64	0.76	dB	0.062
PE3W01461LF/HS-24	24 In	Insertion Loss (Typ.)	0.57	0.64	0.74	0.88	1.12	dB	0.091
PE3W01461LF/HS-36	36 In	Insertion Loss (Typ.)	0.65	0.76	0.91	1.12	1.48	dB	0.119
PE3W01461LF/HS-48	48 In	Insertion Loss (Typ.)	0.73	0.87	1.08	1.36	1.83	dB	0.147
PE3W01461LF/HS-60	60 In	Insertion Loss (Typ.)	0.81	0.99	1.25	1.6	2.19	dB	0.175

The insertion loss data for the base model does not include loss due to the connectors. Each length includes insertion loss due to the connectors.

Loss due to Connector 1:	0.2 dB
Loss due to Connector 2:	0.2 dB
Base Weight:	0.062 pounds
Additional Weight per Inch:	0.00234 pounds

### Mechanical Specifications

#### Cable Assembly

Width/Diameter	0.5 in [12.7 mm]
Weight	0.034 lbs [15.42 g]

#### Cable

Cable Type	LMR-195-FR
Impedance	50 Ohms
Inner Conductor Type	Solid
Inner Conductor Material and Plating	Copper
Dielectric Type	PE
Number of Shields	2
Shield Layer 1	Aluminum Tape
Shield Layer 2	Tinned Copper Braid
Jacket Material	FRPE, Black
Jacket Diameter	0.195 in [4.95 mm]
One Time Minimum Bend Radius	0.5 in [12.7 mm]
Repeated Minimum Bend Radius	2 in [50.8 mm]
Bending Moment	0.2 lbs-ft [0.27 N-m]
Flat Plate Crush	15 lbs/in [0.27 Kg/mm]
Tensile Strength	40 lbs [18.14 Kg]

Fire Rated SMA Male Right Angle to SMA Male  
Right Angle Low Loss Cable Using LMR-195-  
FR Coax with HeatShrink, LF Solder



## PE3W01461LF/HS

### Connectors

Description	Connector 1	Connector 2
Type	SMA Male Right Angle	SMA Male Right Angle
Specification	MIL-STD-348A	MIL-STD-348A
Impedance	50 Ohms	50 Ohms
Configuration	Right Angle	Right Angle
Contact Material and Plating	Brass, Gold	Brass, Gold
Contact Plating Specification	50 µin minimum	50 µin minimum
Dielectric Type	PTFE	PTFE
Body Material and Plating	Brass, Nickel	Brass, Nickel
Body Plating Specification	100 µin minimum	100 µin minimum
Coupling Nut Material and Plating	Brass, Nickel	Brass, Nickel
Coupling Nut Plating Specification	100 µin minimum	100 µin minimum
Hex Size	5/16 inch	5/16 inch
Torque	3 in-lbs 0.34 Nm	3 in-lbs 0.34 Nm

### Environmental Specifications

Operating Range Temperature -40 to +85 deg C

**Compliance Certifications** (see [product page](#) for current document)

### Plotted and Other Data

Notes:

Fire Rated SMA Male Right Angle to SMA Male Right Angle Low Loss Cable Using LMR-195-FR Coax with HeatShrink, LF Solder



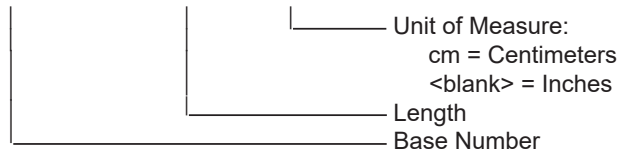
## PE3W01461LF/HS

### Typical Performance Data

### How to Order

Part Number Configuration:

**PE3W01461LF/HS - xx uu**



Example: PE3W01461LF/HS-12 = 12 inches long cable  
PE3W01461LF/HS-100cm = 100 cm long cable

Fire Rated SMA Male Right Angle to SMA Male Right Angle Low Loss Cable Using LMR-195-FR Coax with HeatShrink, LF Solder from Pasternack Enterprises has same day shipment for domestic and International orders. Our RF, microwave and millimeter wave products maintain a 99.4% availability and are part of the broadest selection in the industry.

Click the following link (or enter part number in "SEARCH" on website) to obtain additional part information including price, inventory and certifications: [Fire Rated SMA Male Right Angle to SMA Male Right Angle Low Loss Cable Using LMR-195-FR Coax with HeatShrink, LF Solder PE3W01461LF/HS](#)

URL: <https://www.pasternack.com/fire-rated-sma-male-right-angle-to-sma-male-low-loss-cable-using-lmr-195-fr-with-heatshrink-lf-solder-pe3w01461lf-hs-p.aspx>

The information contained within this document is accurate to the best of our knowledge and representative of the part described herein. It may be necessary to make modifications to the part and/or the documentation of the part in order to impliment improvements. Pasternack Enterprises reserves the right to make such changes as required. Unless otherwise stated, all specifications are nominal. Pasternack Enterprises does not make any representation or warranty regarding the suitability of the part described herein for any particular purpose, and Pasternack Enterprises does not assume liability arising out of the use of any part or document.

# PE3W01461LF/HS CAD Drawing

Fire Rated SMA Male Right Angle to SMA Male Right Angle Low Loss Cable Using LMR-195-FR Coax with HeatShrink, LF Solder

