

TNC Male Right Angle to MMCX Plug
Right Angle Low Loss Cable Using LMR-100 Coax
with HeatShrink and 90 Deg. Clock



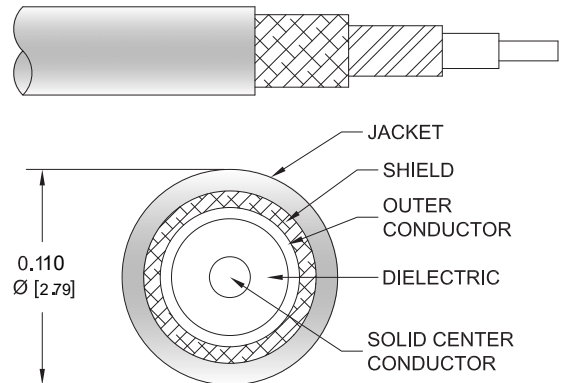
PE3W01732/SP

Configuration

- Connector 1: TNC Male Right Angle
- Connector 2: MMCX Plug Right Angle
- Cable Type: LMR-100A
- Coax Flex Type: Flexible

Features

- Max Frequency 6 GHz
- Shielding Effectivity > 90 dB
- 66% Phase Velocity
- Double Shielded
- PVC Jacket



Applications

- General Purpose
- Laboratory Use

Description

Pasternack's PE3W01732/SP TNC male right angle to MMCX plug right angle cable using LMR-100 coax is part of our full line of RF components available for same-day shipping. Pasternack's flexible RF cable assemblies are ideal for applications where tight bends and flexure are required. This Pasternack TNC to MMCX cable assembly has a male to plug gender configuration with 50 ohm flexible LMR-100A coax. The PE3W01732/SP TNC male to MMCX plug cable assembly operates to 6 GHz. The right angle TNC and right angle MMCX interfaces on the LMR-100A cable allow for easier connections in tight spaces. The double shielding of this Pasternack cable assembly provides excellent shielding effectiveness of better than 90 dB.

Custom versions of most RF cable assemblies can be built and shipped same day. Custom cable assembly lengths can be obtained by specifying the desired length on the web site at time of order or by contacting a sales representative. Other available RF cable assembly value added services include connector orientation or clocking, heat shrink booting and custom labeling. RF testing can also be performed to document the electrical performance of your cable assembly.

Electrical Specifications

Description	Minimum	Typical	Maximum	Units
Frequency Range	DC		6	GHz
VSWR			1.4:1	
Velocity of Propagation		66		%
RF Shielding	90			dB
Group Delay		1.54 [5.05]		ns/ft [ns/m]
Capacitance		30.8 [101.05]		pF/ft [pF/m]
Inductance		0.077 [0.25]		uH/ft [uH/m]
DC Resistance Inner Conductor		81 [265.75]		Ohms/1000ft [Ohms/Km]
DC Resistance Outer Conductor		9.5 [31.17]		Ohms/1000ft [Ohms/Km]

TNC Male Right Angle to MMCX Plug
Right Angle Low Loss Cable Using LMR-100 Coax
with HeatShrink and 90 Deg. Clock



PE3W01732/SP

Electrical Specifications

Description	Minimum	Typical	Maximum	Units
Jacket Spark			2,000	Vrms

Specifications by Frequency

Part Number	Length	Description	F1	F2	F3	F4	F5	Units	Weight (lbs)
			Frequency					MHz	
PE3W01732/SP	Custom Lengths Available	Insertion Loss (Typ.)	0.115	0.165	0.24	0.398	0.641	dB/ft	
			0.38	0.55	0.79	1.31	2.11	dB/m	
PE3W01732/SP-24	24 In	Insertion Loss (Typ.)	0.63	0.73	0.88	1.2	1.69	dB	0.074
PE3W01732/SP-36	36 In	Insertion Loss (Typ.)	0.75	0.9	1.12	1.6	2.33	dB	0.083
PE3W01732/SP-48	48 In	Insertion Loss (Typ.)	0.86	1.06	1.36	2	2.97	dB	0.092
PE3W01732/SP-100CM	100 CM	Insertion Loss (Typ.)	0.78	0.95	1.19	1.71	2.51	dB	0.086
PE3W01732/SP-200CM	200 CM	Insertion Loss (Typ.)	1.16	1.49	1.98	3.02	4.61	dB	0.116

The insertion loss data for the base model does not include loss due to the connectors. Each length includes insertion loss due to the connectors.

Loss due to Connector 1:	0.2 dB
Loss due to Connector 2:	0.2 dB
Base Weight:	0.065 pounds
Additional Weight per Inch:	0.00075 pounds

Mechanical Specifications

Cable Assembly

Weight lbs [0 g]

Cable

Cable Type	LMR-100A
Impedance	50 Ohms
Inner Conductor Type	Solid
Inner Conductor Material and Plating	Copper Clad Steel
Dielectric Type	PE
Number of Shields	2
Shield Layer 1	Aluminum Tape
Shield Layer 2	Tinned Copper Braid
Jacket Material	PVC, Black
Jacket Diameter	0.11 in [2.79 mm]
One Time Minimum Bend Radius	0.25 in [6.35 mm]
Repeated Minimum Bend Radius	1 in [25.4 mm]
Bending Moment	0.1 lbs-ft [0.14 N-m]
Flat Plate Crush	10 lbs/in [0.18 Kg/mm]
Tensile Strength	15 lbs [6.8 Kg]

TNC Male Right Angle to MMCX Plug
Right Angle Low Loss Cable Using LMR-100 Coax
with HeatShrink and 90 Deg. Clock



PE3W01732/SP

Connectors

Description	Connector 1	Connector 2
Type	TNC Male Right Angle	MMCX Plug Right Angle
Specification		BS EN 122340
Impedance	50 Ohms	50 Ohms
Configuration	Right Angle	Right Angle
Contact Material and Plating	Brass, Gold	Brass, Gold
Contact Plating Specification		30 µin minimum
Dielectric Type	POM	PTFE
Body Material and Plating	Brass, Nickel	Brass, Gold
Body Plating Specification		3 µin minimum

Environmental Specifications

Operating Range Temperature -40 to +85 deg C

Compliance Certifications (see [product page](#) for current document)

Plotted and Other Data

Notes:

TNC Male Right Angle to MMCX Plug
Right Angle Low Loss Cable Using LMR-100 Coax
with HeatShrink and 90 Deg. Clock



PE3W01732/SP

Typical Performance Data

How to Order

Part Number Configuration:

PE3W01732/SP - xx uu

Unit of Measure:
cm = Centimeters
<blank> = Inches

Length

Base Number

Example: PE3W01732/SP-12 = 12 inches long cable
PE3W01732/SP-100cm = 100 cm long cable

TNC Male Right Angle to MMCX Plug Right Angle Low Loss Cable Using LMR-100 Coax with HeatShrink and 90 Deg. Clock from Pasternack Enterprises has same day shipment for domestic and International orders. Our RF, microwave and millimeter wave products maintain a 99.4% availability and are part of the broadest selection in the industry.

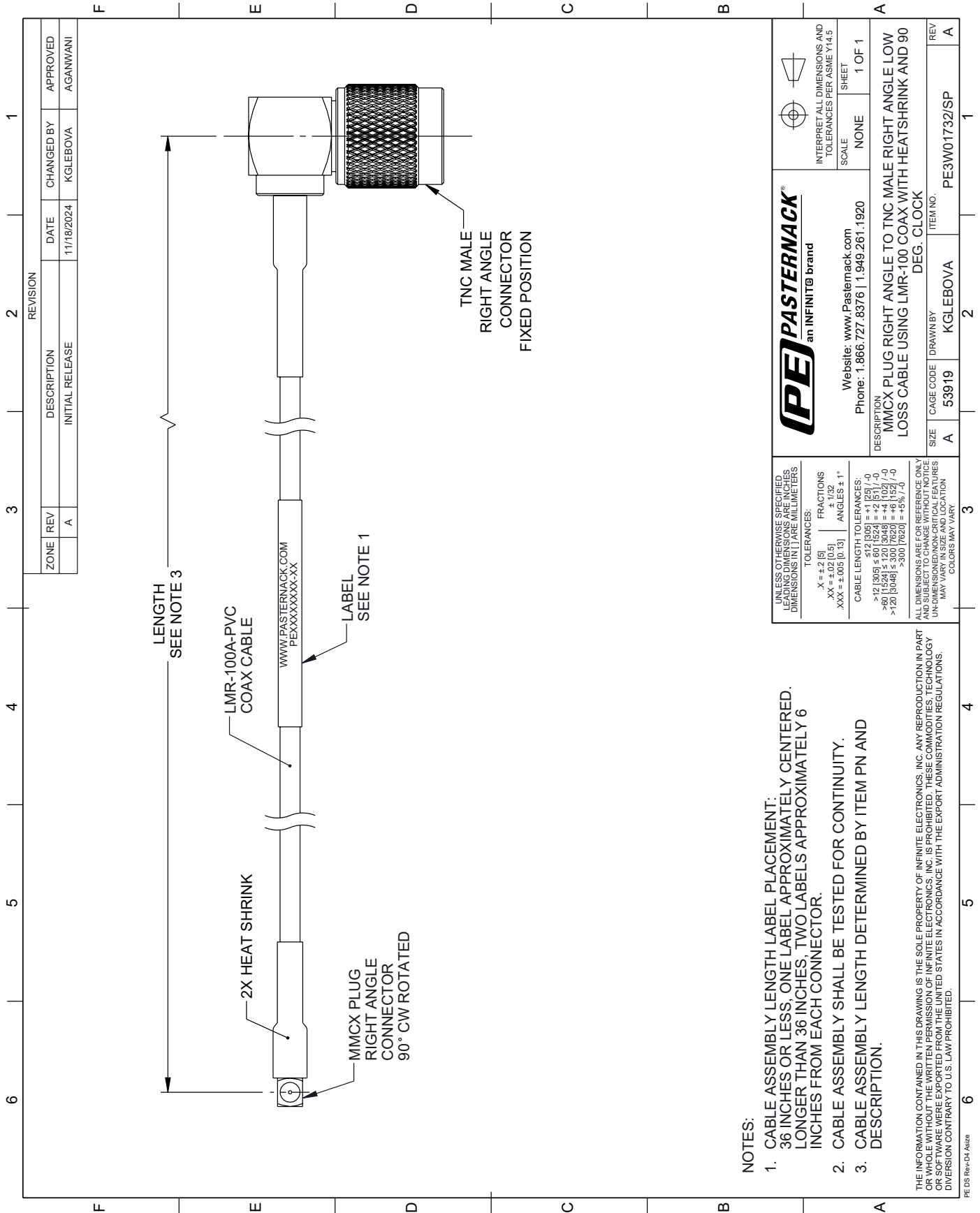
Click the following link (or enter part number in "SEARCH" on website) to obtain additional part information including price, inventory and certifications: [TNC Male Right Angle to MMCX Plug Right Angle Low Loss Cable Using LMR-100 Coax with HeatShrink and 90 Deg. Clock PE3W01732/SP](https://www.pasternack.com/tnc-male-right-angle-to-mmcx-plug-right-angle-low-loss-cable-using-lmr-100-coax-with-heatshrink-and-90-deg-clock-pe3w01732-sp)

URL: <https://www.pasternack.com/tnc-male-right-angle-to-mmcx-plug-low-loss-cable-using-lmr-100-with-heatshrink-and-90-deg-clock-pe3w01732-sp-p.aspx>

The information contained within this document is accurate to the best of our knowledge and representative of the part described herein. It may be necessary to make modifications to the part and/or the documentation of the part in order to implement improvements. Pasternack Enterprises reserves the right to make such changes as required. Unless otherwise stated, all specifications are nominal. Pasternack Enterprises does not make any representation or warranty regarding the suitability of the part described herein for any particular purpose, and Pasternack Enterprises does not assume liability arising out of the use of any part or document.

PE3W01732/SP CAD Drawing

TNC Male Right Angle to MMCX Plug Right Angle Low Loss Cable Using LMR-100 Coax with HeatShrink and 90 Deg. Clock



NOTES:

- CABLE ASSEMBLY LENGTH LABEL PLACEMENT: 36 INCHES OR LESS, ONE LABEL APPROXIMATELY CENTERED. LONGER THAN 36 INCHES, TWO LABELS APPROXIMATELY 6 INCHES FROM EACH CONNECTOR.
- CABLE ASSEMBLY SHALL BE TESTED FOR CONTINUITY.
- CABLE ASSEMBLY LENGTH DETERMINED BY ITEM PN AND DESCRIPTION.

ALL DIMENSIONS ARE FOR REFERENCE ONLY. THE INFORMATION CONTAINED IN THIS DRAWING IS THE SOLE PROPERTY OF INFINITE ELECTRONICS, INC. ANY REPRODUCTION IN PART OR WHOLE WITHOUT THE WRITTEN PERMISSION OF INFINITE ELECTRONICS, INC. IS PROHIBITED. THESE COMMODITIES, TECHNOLOGY OR SOFTWARE WERE EXPORTED FROM THE UNITED STATES IN ACCORDANCE WITH THE EXPORT ADMINISTRATION REGULATIONS. DIVERSION CONTRARY TO U.S. LAW PROHIBITED.

<p>PASTERNAK an INFINIT[®] brand</p>		<p>Website: www.Pasternack.com Phone: 1.866.727.8376 1.949.261.1920</p>	
<p>UNLESS OTHERWISE SPECIFIED LEADING DIMENSIONS ARE INCHES DIMENSIONS IN PARENS ARE MILLIMETERS</p> <p>TOLERANCES: .X = ±.2 [5] FRACTIONS ± 1/32 .XX = ±.02 [0.5] ANGLES ± 1° .XXX = ±.005 [0.13]</p> <p>CABLE LENGTH TOLERANCES: >12 [305] ≤ 60 [1524] = +.1 [25] / -0 >60 [1524] ≤ 120 [3048] = +.4 [102] / -0 >120 [3048] ≤ 300 [7620] = +.8 [203] / -0</p>		<p>INTERPRET ALL DIMENSIONS AND TOLERANCES PER ASME Y14.5</p> <p>SCALE: NONE</p> <p>SHEET: 1 OF 1</p>	
<p>DESCRIPTION MMCX PLUG RIGHT ANGLE TO TNC MALE RIGHT ANGLE LOW LOSS CABLE USING LMR-100 COAX WITH HEATSHRINK AND 90 DEG. CLOCK</p>		<p>REV: A</p>	
<p>SIZE: A</p>		<p>ITEM NO.: PE3W01732/SP</p>	
<p>DRAWN BY: KGLEBOVA</p>		<p>1</p>	
<p>CAGE CODE: 53919</p>		<p>2</p>	
<p>3</p>		<p>4</p>	
<p>5</p>		<p>6</p>	