

SMA Male Right Angle to MMCX Plug Right Angle Low Loss Cable Using PE-C100-LSZH Coax with HeatShrink



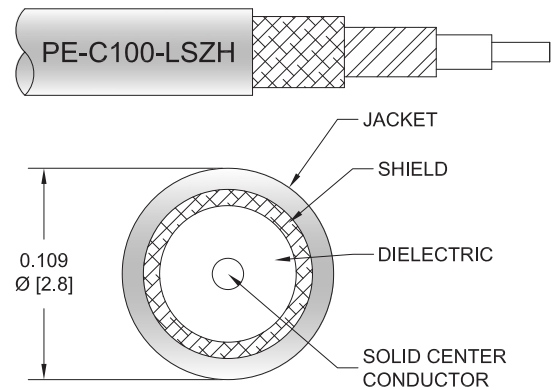
PE3W01768/HS

Configuration

- Connector 1: SMA Male Right Angle
- Connector 2: MMCX Plug Right Angle
- Cable Type: PE-C100-LSZH
- Coax Flex Type: Flexible

Features

- Max Frequency 6 GHz
- Shielding Effectivity > 90 dB
- 66% Phase Velocity
- Double Shielded
- LSZH Jacket



Applications

- General Purpose
- Laboratory Use

Description

Pasternack's PE3W01768/HS SMA male right angle to MMCX plug right angle cable using PE-C100-LSZH coax is part of our full line of RF components available for same-day shipping. Pasternack's flexible RF cable assemblies are ideal for applications where tight bends and flexure are required. This Pasternack SMA to MMCX cable assembly has a male to plug gender configuration with 50 ohm flexible PE-C100-LSZH coax. The PE3W01768/HS SMA male to MMCX plug cable assembly operates to 6 GHz. The right angle SMA and right angle MMCX interfaces on the PE-C100-LSZH cable allow for easier connections in tight spaces. The double shielding of this Pasternack cable assembly provides excellent shielding effectiveness of better than 90 dB.

Custom versions of most RF cable assemblies can be built and shipped same day. Custom cable assembly lengths can be obtained by specifying the desired length on the web site at time of order or by contacting a sales representative. Other available RF cable assembly value added services include connector orientation or clocking, heat shrink booting and custom labeling. RF testing can also be performed to document the electrical performance of your cable assembly.

Electrical Specifications

Description	Minimum	Typical	Maximum	Units
Frequency Range	DC		6	GHz
VSWR			1.4:1	
Velocity of Propagation		66		%
RF Shielding	90			dB
Capacitance		30.8 [101.05]		pF/ft [pF/m]
Operating Voltage (AC)			250	Vrms
Jacket Spark			2,000	Vrms

Specifications by Frequency

SMA Male Right Angle to MMCX Plug Right Angle Low Loss Cable Using PE-C100-LSZH Coax with HeatShrink



PE3W01768/HS

Part Number	Length	Description	F1	F2	F3	F4	F5	Units	Weight (lbs)
			Frequency		250	500	1000	2500	
PE3W01768/HS	Custom Lengths Available	Insertion Loss (Typ.)	0.115	0.167	0.24	0.405	0.66	dB/ft	
			0.38	0.55	0.79	1.33	2.17	dB/m	
PE3W01768/HS-12	12 In	Insertion Loss (Typ.)	0.52	0.57	0.64	0.81	1.06	dB	0.033
PE3W01768/HS-24	24 In	Insertion Loss (Typ.)	0.63	0.74	0.88	1.21	1.72	dB	0.044
PE3W01768/HS-36	36 In	Insertion Loss (Typ.)	0.75	0.91	1.12	1.62	2.38	dB	0.054
PE3W01768/HS-48	48 In	Insertion Loss (Typ.)	0.86	1.07	1.36	2.02	3.04	dB	0.064
PE3W01768/HS-60	60 In	Insertion Loss (Typ.)	0.98	1.24	1.6	2.43	3.7	dB	0.074

The insertion loss data for the base model does not include loss due to the connectors. Each length includes insertion loss due to the connectors.

Loss due to Connector 1: 0.2 dB
 Loss due to Connector 2: 0.2 dB
 Base Weight: 0.033 pounds
 Additional Weight per Inch: 0.00084 pounds

Mechanical Specifications

Cable Assembly

Width/Diameter: 0.5 in [12.7 mm]
 Weight: 0.033 lbs [14.97 g]

Cable

Cable Type: PE-C100-LSZH
 Impedance: 50 Ohms
 Inner Conductor Type: Solid
 Inner Conductor Material and Plating: Copper Clad Steel
 Dielectric Type: PE
 Number of Shields: 2
 Shield Layer 1: Aluminum Tape
 Shield Layer 2: Tinned Copper Braid
 Jacket Material: LSZH, Black
 Jacket Diameter: 0.109 in [2.77 mm]
 One Time Minimum Bend Radius: 0.25 in [6.35 mm]
 Repeated Minimum Bend Radius: 1 in [25.4 mm]
 Bending Moment: 0.1 lbs-ft [0.14 N-m]
 Flat Plate Crush: 10 lbs/in [0.18 Kg/mm]
 Tensile Strength: 15 lbs [6.8 Kg]

SMA Male Right Angle to MMCX Plug Right Angle Low Loss Cable Using PE-C100-LSZH Coax with HeatShrink



PE3W01768/HS

Connectors

Description	Connector 1	Connector 2
Type	SMA Male Right Angle	MMCX Plug Right Angle
Specification	MIL-STD-348A	BS EN 122340
Impedance	50 Ohms	50 Ohms
Configuration	Right Angle	Right Angle
Contact Material and Plating	Brass, Gold	Brass, Gold
Contact Plating Specification	50 µin minimum	30 µin minimum
Dielectric Type	PTFE	PTFE
Body Material and Plating	Brass, Nickel	Brass, Gold
Body Plating Specification	100 µin minimum	3 µin minimum
Coupling Nut Material and Plating	Brass, Nickel	
Coupling Nut Plating Specification	100 µin minimum	
Hex Size	5/16 in	
Torque	3 in-lbs 0.34 Nm	

Environmental Specifications

Operating Range Temperature -40 to +85 deg C

Compliance Certifications (see [product page](#) for current document)

Plotted and Other Data

Notes:

SMA Male Right Angle to MMCX Plug Right Angle Low Loss Cable Using PE-C100-LSZH Coax with HeatShrink



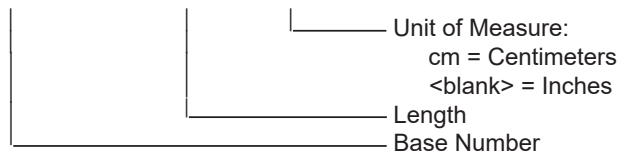
PE3W01768/HS

Typical Performance Data

How to Order

Part Number Configuration:

PE3W01768/HS - xx uu



Example: PE3W01768/HS-12 = 12 inches long cable
PE3W01768/HS-100cm = 100 cm long cable

SMA Male Right Angle to MMCX Plug Right Angle Low Loss Cable Using PE-C100-LSZH Coax with HeatShrink from Pasternack Enterprises has same day shipment for domestic and International orders. Our RF, microwave and millimeter wave products maintain a 99.4% availability and are part of the broadest selection in the industry.

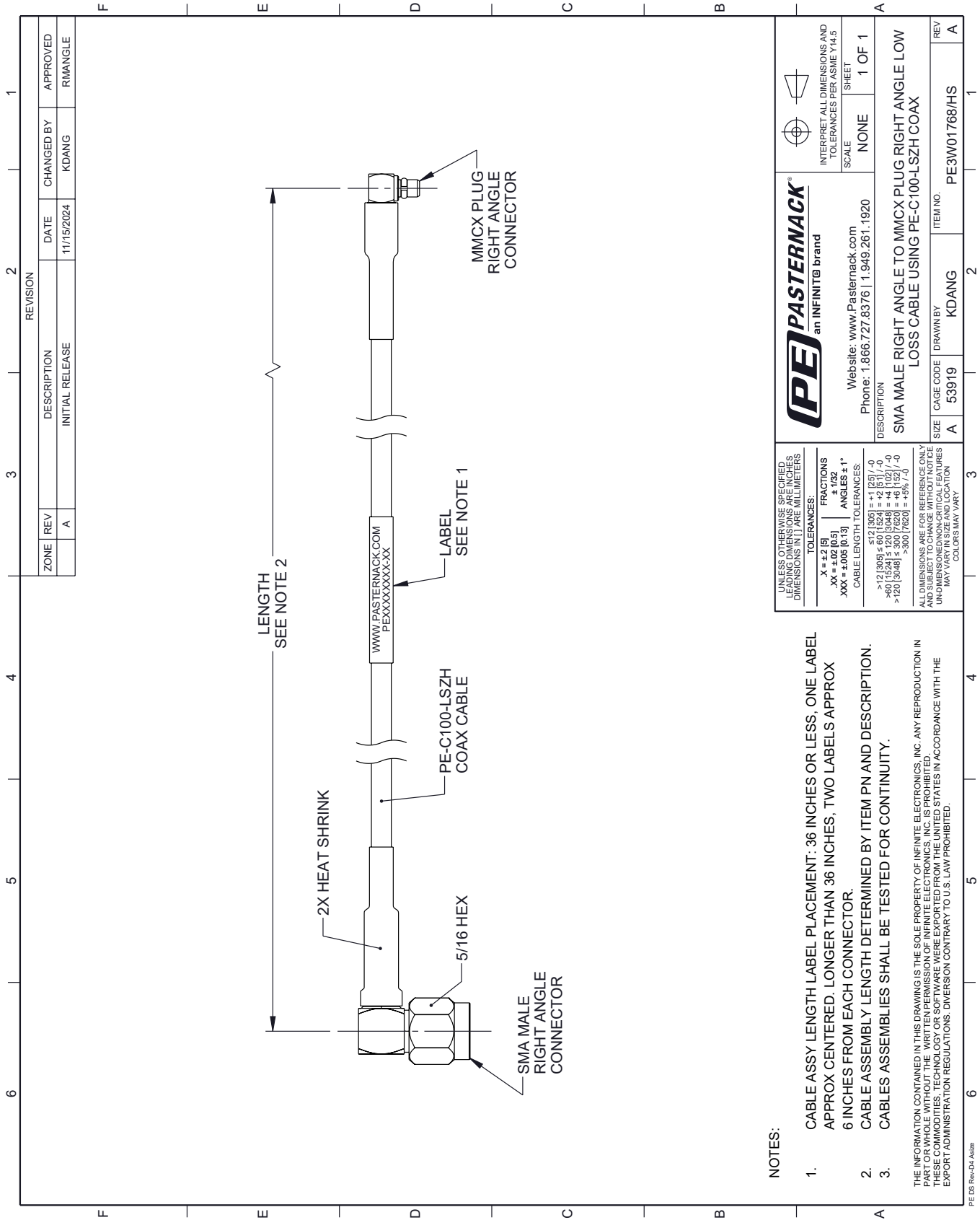
Click the following link (or enter part number in "SEARCH" on website) to obtain additional part information including price, inventory and certifications: [SMA Male Right Angle to MMCX Plug Right Angle Low Loss Cable Using PE-C100-LSZH Coax with HeatShrink PE3W01768/HS](#)

URL: <https://www.pasternack.com/sma-male-right-angle-to-mmcx-plug-low-loss-cable-using-pe-c100-lszh-with-heatshrink-pe3w01768-hs-p.aspx>

The information contained within this document is accurate to the best of our knowledge and representative of the part described herein. It may be necessary to make modifications to the part and/or the documentation of the part in order to impliment improvements. Pasternack Enterprises reserves the right to make such changes as required. Unless otherwise stated, all specifications are nominal. Pasternack Enterprises does not make any representation or warranty regarding the suitability of the part described herein for any particular purpose, and Pasternack Enterprises does not assume liability arising out of the use of any part or document.

PE3W01768/HS CAD Drawing

SMA Male Right Angle to MMCX Plug Right Angle Low Loss Cable Using PE-C100-LSZH Coax with HeatShrink



REVISION		DATE	CHANGED BY	APPROVED
ZONE	REV			
	A	11/15/2024	KDANG	RMANGLE
DESCRIPTION				
INITIAL RELEASE				

NOTES:

- CABLE ASSY LENGTH LABEL PLACEMENT: 36 INCHES OR LESS, ONE LABEL APPROX CENTERED. LONGER THAN 36 INCHES, TWO LABELS APPROX 6 INCHES FROM EACH CONNECTOR.
- CABLE ASSEMBLY LENGTH DETERMINED BY ITEM PN AND DESCRIPTION.
- CABLE ASSEMBLIES SHALL BE TESTED FOR CONTINUITY.

THE INFORMATION CONTAINED IN THIS DRAWING IS THE SOLE PROPERTY OF INFINITE ELECTRONICS, INC. ANY REPRODUCTION IN PART OR WHOLE WITHOUT THE WRITTEN PERMISSION OF INFINITE ELECTRONICS, INC. IS PROHIBITED. THESE COMMODITIES, TECHNOLOGY OR SOFTWARE WERE EXPORTED FROM THE UNITED STATES IN ACCORDANCE WITH THE EXPORT ADMINISTRATION REGULATIONS. DIVERSION CONTRARY TO U.S. LAW PROHIBITED.

UNLESS OTHERWISE SPECIFIED, LEADING DIMENSIONS ARE IN INCHES. DIMENSIONS IN [] ARE MILLIMETERS.	
TOLERANCES:	
.X = ±.2 [5]	FRACTIONS ± 1/32
.XX = ±.02 [0.5]	ANGLES ± 1°
.XXX = ±.005 [0.13]	CABLE LENGTH TOLERANCES:
	<12 [305] ±.12 [3.05]
	>12 [305] ±.60 [15.24]
	>60 [1524] ±.120 [3.048]
	>120 [3048] ±.300 [7.620]
	>300 [7620] ±.93 [23.175]
ALL DIMENSIONS ARE FOR REFERENCE ONLY. UNDIMENSIONED NON-CRITICAL FEATURES MAY VARY IN SIZE AND LOCATION. COLORS MAY VARY.	

PASTERNAK
an INFINITE brand

Website: www.Pasternack.com
Phone: 1.866.727.8376 | 1.949.261.1920

INTERPRET ALL DIMENSIONS AND TOLERANCES PER ASME Y14.5

SCALE NONE

SHEET 1 OF 1

DESCRIPTION		ITEM NO.
SMA MALE RIGHT ANGLE TO MMCX PLUG RIGHT ANGLE LOW LOSS CABLE USING PE-C100-LSZH COAX		PE3W01768/HS
SIZE	CAGE CODE	REV
A	53919	A
DRAWN BY		
KDANG		