



SMA Male Right Angle to SMB Plug Right Angle Low Loss Cable Using PE-P195 Coax with 180 Deg. Clock

RF Cable Assemblies Technical Data Sheet

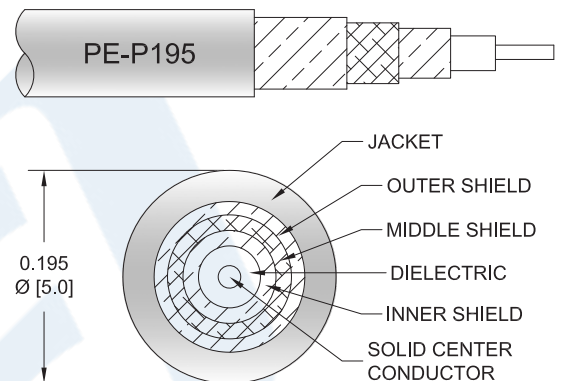
PE3W01841/SP

Configuration

- Connector 1: SMA Male Right Angle
- Connector 2: SMB Plug Right Angle
- Cable Type: PE-P195

Features

- Max Frequency 4 GHz
- 70% Phase Velocity
- Triple Shielded
- FEP Jacket



Applications

- General Purpose
- Laboratory Use

Description

Pasternack's PE3W01841/SP SMA male right angle to SMB plug right angle cable using PE-P195 coax is part of our full line of RF components available for same-day shipping. Pasternack's flexible RF cable assemblies are ideal for applications where tight bends and flexure are required. This Pasternack SMA to SMB cable assembly has a male to plug gender configuration with 50 ohm flexible PE-P195 coax. The PE3W01841/SP SMA male to SMB plug cable assembly operates to 4 GHz. The right angle SMA and right angle SMB interfaces on the PE-P195 cable allow for easier connections in tight spaces. The triple shielding of this Pasternack cable assembly provides excellent shielding effectiveness.

Custom versions of most RF cable assemblies can be built and shipped same day. Custom cable assembly lengths can be obtained by specifying the desired length on the web site at time of order or by contacting a sales representative. Other available RF cable assembly value added services include connector orientation or clocking, heat shrink booting and custom labeling. RF testing can also be performed to document the electrical performance of your cable assembly.

Click the following link (or enter part number in "SEARCH" on website) to obtain additional part information including price, inventory and certifications: [SMA Male Right Angle to SMB Plug Right Angle Low Loss Cable Using PE-P195 Coax with 180 Deg. Clock PE3W01841/SP](#)



SMA Male Right Angle to SMB Plug Right Angle Low Loss Cable Using PE-P195 Coax with 180 Deg. Clock

RF Cable Assemblies Technical Data Sheet

PE3W01841/SP

Electrical Specifications

Description	Minimum	Typical	Maximum	Units
Frequency Range	DC		4	GHz
VSWR			1.4:1	
Velocity of Propagation		70		%
Capacitance		29 [95.14]		pF/ft [pF/m]
Operating Voltage (AC)			335	Vrms

Specifications by Frequency

Description	F1	F2	F3	F4	F5	Units
Frequency	0.1	0.25	0.5	1	4	GHz
Insertion Loss (Typ.)	0.039	0.057	0.088	0.125	0.267	dB/ft
	0.13	0.19	0.29	0.41	0.88	dB/m

Electrical Specification Notes:

Insertion Loss does not include the loss of the connectors. Insertion Loss is estimated as 0.2 dB per connector.

Mechanical Specifications

Cable Assembly

Weight 0.071 lbs [32.21 g]

Cable

Cable Type PE-P195
 Impedance 50 Ohms
 Inner Conductor Type Solid
 Inner Conductor Material and Plating Copper Clad Steel, Silver
 Dielectric Type PTFE
 Number of Shields 3
 Shield Layer 1 Silver Plated Copper Braid
 Shield Layer 2 Aluminum Tape
 Shield Layer 3 Silver Plated Copper Braid
 Jacket Material FEP, Tan
 Jacket Diameter 0.195 in [4.95 mm]
 Repeated Minimum Bend Radius 1 in [25.4 mm]

Click the following link (or enter part number in "SEARCH" on website) to obtain additional part information including price, inventory and certifications: [SMA Male Right Angle to SMB Plug Right Angle Low Loss Cable Using PE-P195 Coax with 180 Deg. Clock PE3W01841/SP](#)



SMA Male Right Angle to SMB Plug Right Angle Low Loss Cable Using PE-P195 Coax with 180 Deg. Clock

RF Cable Assemblies Technical Data Sheet

PE3W01841/SP

Connectors

Description	Connector 1	Connector 2
Type	SMA Male Right Angle	SMB Plug Right Angle
Specification	MIL-STD-348A	MIL-STD-348A
Impedance	50 Ohms	50 Ohms
Contact Material and Plating	Brass, Gold	Beryllium Copper, Gold
Contact Plating Specification	50 µin minimum	30 µin minimum
Dielectric Type	PTFE	PTFE
Body Material and Plating	Brass, Nickel	Brass, Nickel
Body Plating Specification	100 µin minimum	100 µin minimum
Coupling Nut Material and Plating	Brass, Nickel	
Coupling Nut Plating Specification	100 µin minimum	
Hex Size	5/16 inch	
Torque	3 in-lbs [0.34 Nm]	

Environmental Specifications

Temperature

Operating Range -55 to +165 deg C

Compliance Certifications (see [product page](#) for current document)

Plotted and Other Data

Notes:

Click the following link (or enter part number in "SEARCH" on website) to obtain additional part information including price, inventory and certifications: [SMA Male Right Angle to SMB Plug Right Angle Low Loss Cable Using PE-P195 Coax with 180 Deg. Clock PE3W01841/SP](#)



SMA Male Right Angle to SMB Plug Right Angle Low Loss Cable Using PE-P195 Coax with 180 Deg. Clock

RF Cable Assemblies Technical Data Sheet

PE3W01841/SP

How to Order

Part Number Configuration:

PE3W01841/SP - xx uu

Unit of Measure:
cm = Centimeters
<blank> = Inches
Length
Base Number

Example: PE3W01841/SP-12 = 12 inches long cable
PE3W01841/SP-100cm = 100 cm long cable

SMA Male Right Angle to SMB Plug Right Angle Low Loss Cable Using PE-P195 Coax with 180 Deg. Clock from Pasternack Enterprises has same day shipment for domestic and International orders. Our RF, microwave and millimeter wave products maintain a 99.4% availability and are part of the broadest selection in the industry.

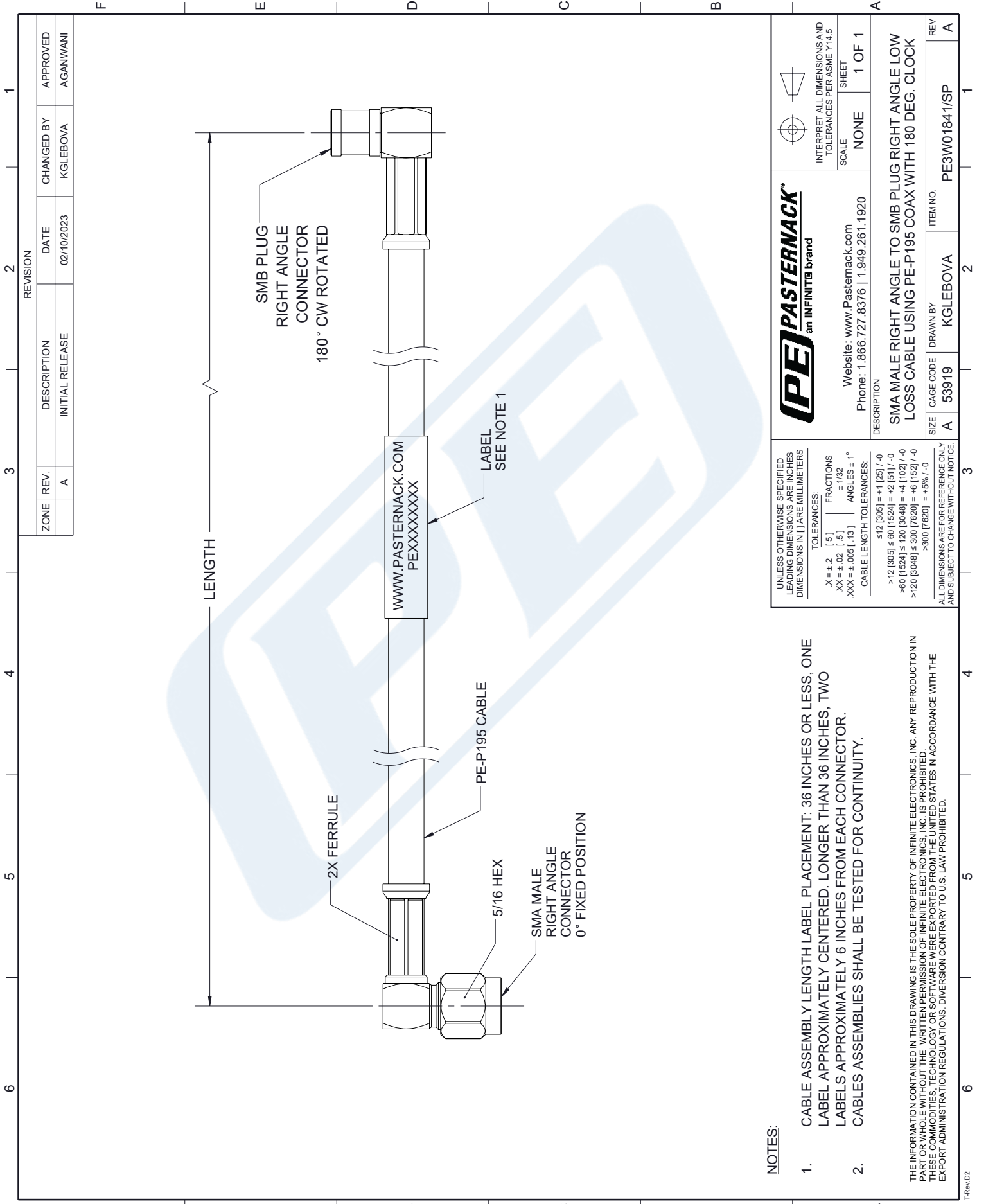
Click the following link (or enter part number in "SEARCH" on website) to obtain additional part information including price, inventory and certifications: [SMA Male Right Angle to SMB Plug Right Angle Low Loss Cable Using PE-P195 Coax with 180 Deg. Clock PE3W01841/SP](https://www.pasternack.com/sma-male-right-angle-to-smb-plug-right-angle-low-loss-cable-using-pe-p195-coax-with-180-deg-clock-pe3w01841-sp)

URL: <https://www.pasternack.com/sma-male-right-angle-to-smb-plug-right-angle-low-loss-cable-using-pe-p195-coax-with-180-deg-clock-pe3w01841-sp>

The information contained in this document is accurate to the best of our knowledge and representative of the part described herein. It may be necessary to make modifications to the part and/or the documentation of the part, in order to implement improvements. Pasternack reserves the right to make such changes as required. Unless otherwise stated, all specifications are nominal. Pasternack does not make any representation or warranty regarding the suitability of the part described herein for any particular purpose, and Pasternack does not assume any liability arising out of the use of any part or documentation.

PE3W01841/SP CAD Drawing

SMA Male Right Angle to SMB Plug Right Angle Low Loss Cable Using PE-P195 Coax with 180 Deg. Clock



NOTES:

1. CABLE ASSEMBLY LENGTH LABEL PLACEMENT: 36 INCHES OR LESS, ONE LABEL APPROXIMATELY CENTERED. LONGER THAN 36 INCHES, TWO LABELS APPROXIMATELY 6 INCHES FROM EACH CONNECTOR.
2. CABLES ASSEMBLIES SHALL BE TESTED FOR CONTINUITY.

THE INFORMATION CONTAINED IN THIS DRAWING IS THE SOLE PROPERTY OF INFINITE ELECTRONICS, INC. ANY REPRODUCTION IN PART OR WHOLE WITHOUT THE WRITTEN PERMISSION OF INFINITE ELECTRONICS, INC. IS PROHIBITED. THESE COMMODITIES, TECHNOLOGY OR SOFTWARE WERE EXPORTED FROM THE UNITED STATES IN ACCORDANCE WITH THE EXPORT ADMINISTRATION REGULATIONS. DIVERSION CONTRARY TO U.S. LAW PROHIBITED.

UNLESS OTHERWISE SPECIFIED LEADING DIMENSIONS ARE INCHES DIMENSIONS IN [] ARE MILLIMETERS	
TOLERANCES:	FRACTIONS
X = ± .2 [.5]	± 1/32
.XX = ± .02 [.5]	ANGLES ± 1°
.XXX = ± .005 [.13]	CABLE LENGTH TOLERANCES:
	≤ 12 [305] = +1 [25] / -0
	> 12 [305] ≤ 60 [1524] = +2 [51] / -0
	> 60 [1524] ≤ 120 [3048] = +4 [102] / -0
	> 120 [3048] ≤ 300 [7620] = +6 [152] / -0
	> 300 [7620] = +5% / -0
ALL DIMENSIONS ARE FOR REFERENCE ONLY AND SUBJECT TO CHANGE WITHOUT NOTICE	



Website: www.Pastermack.com
Phone: 1.866.727.8376 | 1.949.261.1920

DESCRIPTION	SMA MALE RIGHT ANGLE TO SMB PLUG RIGHT ANGLE LOW LOSS CABLE USING PE-P195 COAX WITH 180 DEG. CLOCK
SCALE	NONE
INTERPRET ALL DIMENSIONS AND TOLERANCES PER ASME Y14.5 SHEET	1 OF 1
SIZE	A
CAGE CODE	53919
DRAWN BY	KGLEBOVA
ITEM NO.	PE3W01841/SP
REV	A

REVISION			
ZONE	REV.	DESCRIPTION	DATE
	A	INITIAL RELEASE	02/10/2023
		CHANGED BY	KGLEBOVA
		APPROVED BY	AGANWANI