



## TNC Male to TNC Male Low Loss Cable Using PE-C400 Coax

### RF Cable Assemblies Technical Data Sheet

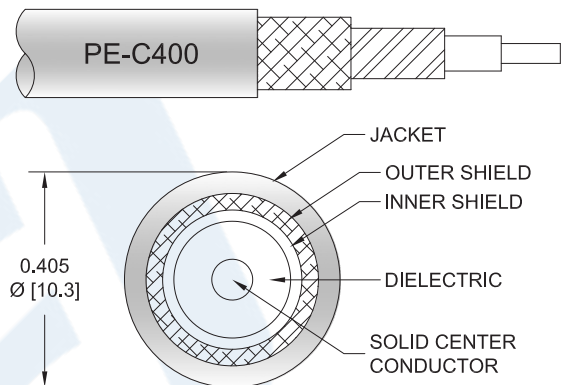
**PE3W02065**

#### Configuration

- Connector 1: TNC Male
- Connector 2: TNC Male
- Cable Type: PE-C400

#### Features

- Max Frequency 5.8 GHz
- Shielding Effectivity > 90 dB
- 85% Phase Velocity
- Double Shielded
- PE Jacket
- 500 Mating Cycles



#### Applications

- General Purpose
- Laboratory Use

#### Description

Pasternack's PE3W02065 TNC male to TNC male cable using PE-C400 coax is part of our full line of RF components available for same-day shipping. Pasternack's flexible RF cable assemblies are ideal for applications where tight bends and flexure are required. This Pasternack TNC to TNC cable assembly has a male to male gender configuration with 50 ohm flexible PE-C400 coax. The PE3W02065 TNC male to TNC male cable assembly operates to 5.8 GHz. The double shielding of this Pasternack cable assembly provides excellent shielding effectiveness of better than 90 dB.

Custom versions of most RF cable assemblies can be built and shipped same day. Custom cable assembly lengths can be obtained by specifying the desired length on the web site at time of order or by contacting a sales representative. Other available RF cable assembly value added services include connector orientation or clocking, heat shrink booting and custom labeling. RF testing can also be performed to document the electrical performance of your cable assembly.

Click the following link (or enter part number in "SEARCH" on website) to obtain additional part information including price, inventory and certifications: [TNC Male to TNC Male Low Loss Cable Using PE-C400 Coax PE3W02065](#)



## TNC Male to TNC Male Low Loss Cable Using PE-C400 Coax

### RF Cable Assemblies Technical Data Sheet

**PE3W02065**

#### Electrical Specifications

Description	Minimum	Typical	Maximum	Units
Frequency Range	DC		5.8	GHz
VSWR			1.4:1	
Velocity of Propagation		85		%
RF Shielding	90			dB
Capacitance		24 [78.74]		pF/ft [pF/m]
Jacket Spark			8,000	Vrms

#### Specifications by Frequency

Description	F1	F2	F3	F4	F5	Units
Frequency	0.25	0.5	1	2.5	6	GHz
Insertion Loss (Typ.)	0.02	0.028	0.041	0.068	0.108	dB/ft
	0.07	0.09	0.13	0.22	0.35	dB/m

#### Electrical Specification Notes:

Insertion Loss does not include the loss of the connectors. Insertion Loss is estimated as 0.25 dB per connector.

#### Mechanical Specifications

##### Cable Assembly

Weight 0.245 lbs [111.13 g]

##### Cable

Cable Type PE-C400  
 Impedance 50 Ohms  
 Inner Conductor Type Solid  
 Inner Conductor Material and Plating Copper Clad Aluminum  
 Dielectric Type PE (F)  
 Number of Shields 2  
 Shield Layer 1 Aluminum Tape  
 Shield Layer 2 Tinned Copper Braid  
 Jacket Material PE, Black  
 Jacket Diameter 0.4 in [10.16 mm]

One Time Minimum Bend Radius 1 in [25.4 mm]  
 Repeated Minimum Bend Radius 4 in [101.6 mm]  
 Bending Moment 0.5 lbs-ft [0.68 N-m]  
 Tensile Strength 160 lbs [72.57 Kg]

Click the following link (or enter part number in "SEARCH" on website) to obtain additional part information including price, inventory and certifications: [TNC Male to TNC Male Low Loss Cable Using PE-C400 Coax PE3W02065](#)



TNC Male to TNC Male Low Loss Cable Using PE-C400 Coax

**RF Cable Assemblies Technical Data Sheet**

**PE3W02065**

**Connectors**

Description	Connector 1	Connector 2
Type	TNC Male	TNC Male
Impedance	50 Ohms	50 Ohms
Mating Cycles	500	500
Contact Material and Plating	Brass, Gold	Brass, Gold
Contact Plating Specification	50µ in.	50µ in.
Body Material and Plating	Brass, Tri-Metal	Brass, Tri-Metal
Body Plating Specification	80µ in.	80µ in.
Coupling Nut Material and Plating	Brass, Tri-Metal	Brass, Tri-Metal
Coupling Nut Plating Specification	80µ in.	80µ in.

**Environmental Specifications**

**Temperature**

Operating Range -40 to +85 deg C

**Compliance Certifications** (see [product page](#) for current document)

**Plotted and Other Data**

Notes:

Click the following link (or enter part number in "SEARCH" on website) to obtain additional part information including price, inventory and certifications: [TNC Male to TNC Male Low Loss Cable Using PE-C400 Coax PE3W02065](#)



## TNC Male to TNC Male Low Loss Cable Using PE-C400 Coax

### RF Cable Assemblies Technical Data Sheet

**PE3W02065**

#### How to Order

Part Number Configuration:

**PE3W02065**

- **xx**

**uu**

Unit of Measure:  
cm = Centimeters  
<blank> = Inches  
Length  
Base Number

Example: PE3W02065-12 = 12 inches long cable  
PE3W02065-100cm = 100 cm long cable

TNC Male to TNC Male Low Loss Cable Using PE-C400 Coax from Pasternack Enterprises has same day shipment for domestic and International orders. Our RF, microwave and millimeter wave products maintain a 99.4% availability and are part of the broadest selection in the industry.

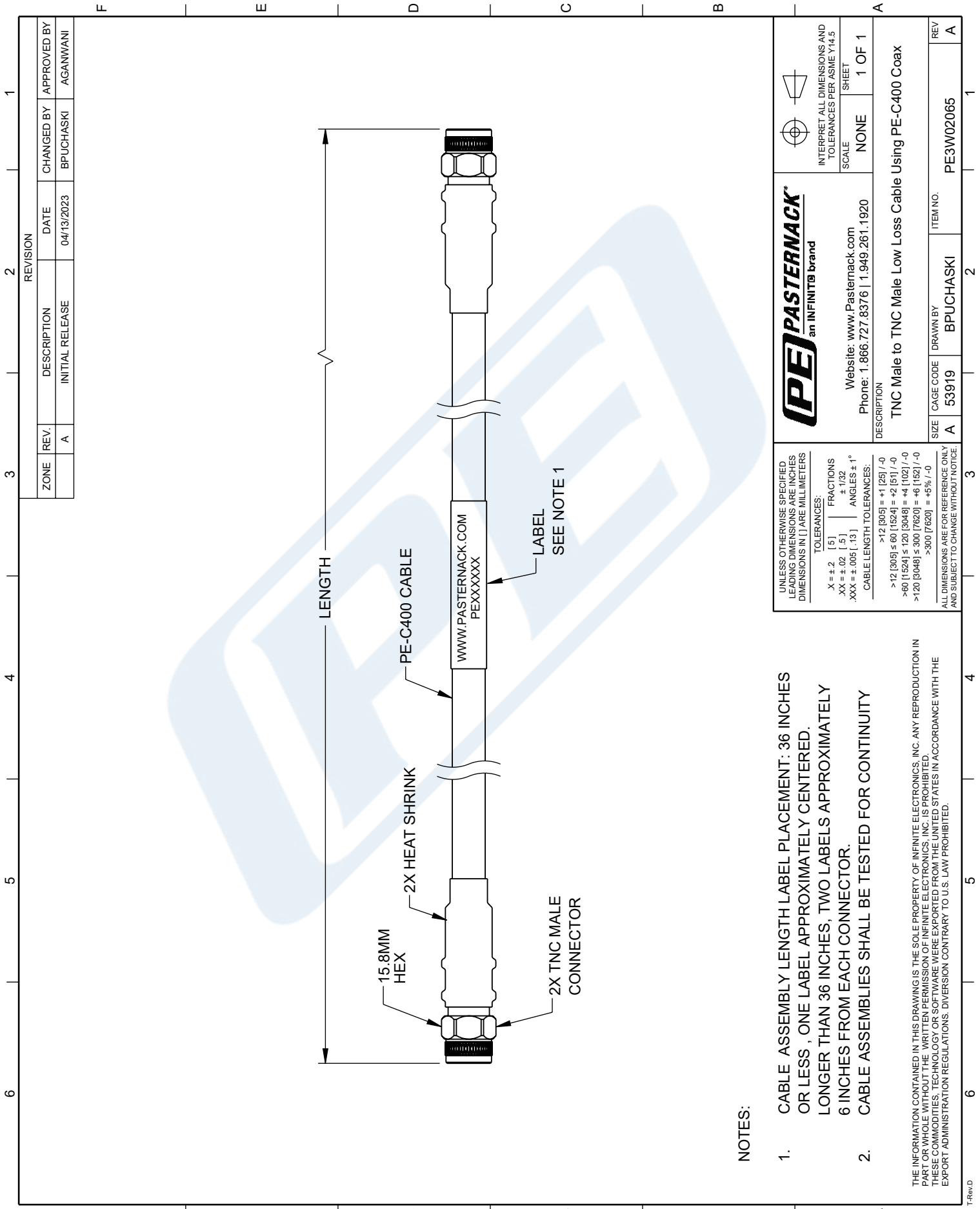
Click the following link (or enter part number in "SEARCH" on website) to obtain additional part information including price, inventory and certifications: [TNC Male to TNC Male Low Loss Cable Using PE-C400 Coax PE3W02065](#)

URL: <https://www.pasternack.com/tnc-male-to-tnc-male-low-loss-cable-using-pe-c400-pe3w02065-p.aspx>

The information contained in this document is accurate to the best of our knowledge and representative of the part described herein. It may be necessary to make modifications to the part and/or the documentation of the part, in order to implement improvements. Pasternack reserves the right to make such changes as required. Unless otherwise stated, all specifications are nominal. Pasternack does not make any representation or warranty regarding the suitability of the part described herein for any particular purpose, and Pasternack does not assume any liability arising out of the use of any part or documentation.

# PE3W02065 CAD Drawing

## TNC Male to TNC Male Low Loss Cable Using PE-C400 Coax



**NOTES:**

1. CABLE ASSEMBLY LENGTH LABEL PLACEMENT: 36 INCHES OR LESS, ONE LABEL APPROXIMATELY CENTERED. LONGER THAN 36 INCHES, TWO LABELS APPROXIMATELY 6 INCHES FROM EACH CONNECTOR.
2. CABLE ASSEMBLIES SHALL BE TESTED FOR CONTINUITY

THE INFORMATION CONTAINED IN THIS DRAWING IS THE SOLE PROPERTY OF INFINITE ELECTRONICS, INC. ANY REPRODUCTION IN PART OR WHOLE WITHOUT THE WRITTEN PERMISSION OF INFINITE ELECTRONICS, INC. IS PROHIBITED. THESE COMMODITIES, TECHNOLOGY OR SOFTWARE WERE EXPORTED FROM THE UNITED STATES IN ACCORDANCE WITH THE EXPORT ADMINISTRATION REGULATIONS. DIVERSION CONTRARY TO U.S. LAW PROHIBITED.

UNLESS OTHERWISE SPECIFIED LEADING DIMENSIONS ARE INCHES DIMENSIONS IN [ ] ARE MILLIMETERS	
TOLERANCES:	
X = ±.2 [5]	FRACTIONS ± 1/32
.XX = ±.02 [.5]	ANGLES ± 1°
.XXX = ±.005 [.13]	
CABLE LENGTH TOLERANCES:	
>12 [305]	±.1 [25] / -0
>12 [305] ≤ 60 [1524]	±.2 [51] / -0
>60 [1524] ≤ 120 [3048]	±.4 [102] / -0
>120 [3048] ≤ 300 [7620]	±.6 [152] / -0
>300 [7620]	±.8 [203] / -0
ALL DIMENSIONS ARE FOR REFERENCE ONLY AND SUBJECT TO CHANGE WITHOUT NOTICE	

<b>PE PASTERNAK</b> an INFINITE brand	
Website: <a href="http://www.Pasternack.com">www.Pasternack.com</a> Phone: 1.866.727.8376   1.949.261.1920	
INTERPRET ALL DIMENSIONS AND TOLERANCES PER ASME Y14.5	SHEET 1 OF 1
DESCRIPTION TNC Male to TNC Male Low Loss Cable Using PE-C400 Coax	
SIZE	ITEM NO.
A 53919	PE3W02065
DRAWN BY	REV
BPUCHASKI	A