



SMB Jack Bulkhead to SMA Male Low Loss Cable Using LMR-100 Coax with HeatShrink

RF Cable Assemblies Technical Data Sheet

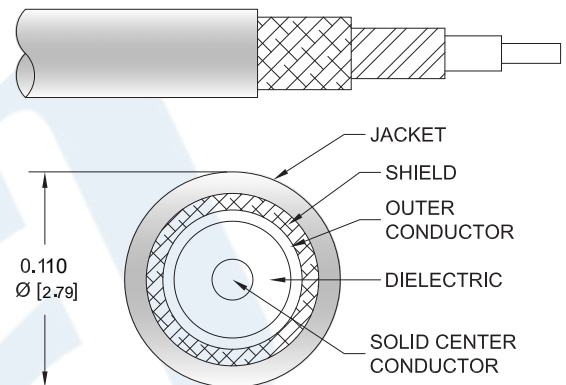
PE3W02410/HS

Configuration

- Connector 1: SMB Jack Bulkhead
- Connector 2: SMA Male
- Cable Type: LMR-100A

Features

- Max Frequency 4 GHz
- Shielding Effectivity > 90 dB
- 66% Phase Velocity
- Double Shielded
- PVC Jacket



Applications

- General Purpose
- Laboratory Use

Description

Pasternack's PE3W02410/HS SMB jack bulkhead to SMA male cable using LMR-100 coax is part of our full line of RF components available for same-day shipping. Pasternack's flexible RF cable assemblies are ideal for applications where tight bends and flexure are required. This Pasternack SMB to SMA cable assembly has a jack to male gender configuration with 50 ohm flexible LMR-100A coax. The PE3W02410/HS SMB jack to SMA male cable assembly operates to 4 GHz. Our RF cable assembly with SMB bulkhead interface allows designers to create external connections on their product enclosures, and can be used in a variety of other rack mount and panel mount applications. The double shielding of this Pasternack cable assembly provides excellent shielding effectiveness of better than 90 dB.

Custom versions of most RF cable assemblies can be built and shipped same day. Custom cable assembly lengths can be obtained by specifying the desired length on the web site at time of order or by contacting a sales representative. Other available RF cable assembly value added services include connector orientation or clocking, heat shrink booting and custom labeling. RF testing can also be performed to document the electrical performance of your cable assembly.

Click the following link (or enter part number in "SEARCH" on website) to obtain additional part information including price, inventory and certifications: [SMB Jack Bulkhead to SMA Male Low Loss Cable Using LMR-100 Coax with HeatShrink PE3W02410/HS](#)



SMB Jack Bulkhead to SMA Male Low Loss Cable Using LMR-100 Coax with HeatShrink

RF Cable Assemblies Technical Data Sheet

PE3W02410/HS

Electrical Specifications

Description	Minimum	Typical	Maximum	Units
Frequency Range	DC		4	GHz
VSWR			1.4:1	
Velocity of Propagation		66		%
RF Shielding	90			dB
Group Delay		1.54 [5.05]		ns/ft [ns/m]
Capacitance		30.8 [101.05]		pF/ft [pF/m]
Inductance		0.077 [0.25]		uH/ft [uH/m]
DC Resistance Inner Conductor		81 [265.75]		Ω /1000ft [Ω /Km]
DC Resistance Outer Conductor		9.5 [31.17]		Ω /1000ft [Ω /Km]
Jacket Spark			2,000	Vrms

Specifications by Frequency

Description	F1	F2	F3	F4	F5	Units
Frequency	0.1	0.25	0.5	1	4	GHz
Insertion Loss (Typ.)	0.068	0.115	0.165	0.24	0.508	dB/ft
	0.22	0.38	0.54	0.79	1.67	dB/m

Electrical Specification Notes:

Insertion Loss does not include the loss of the connectors. Insertion Loss is estimated as 0.1 for the straight connector.

Mechanical Specifications

Cable Assembly

Weight 0.025 lbs [11.34 g]

Cable

Cable Type LMR-100A
 Impedance 50 Ohms
 Inner Conductor Type Solid
 Inner Conductor Material and Plating Copper Clad Steel
 Dielectric Type PE
 Number of Shields 2
 Shield Layer 1 Aluminum Tape
 Shield Layer 2 Tinned Copper Braid
 Jacket Material PVC, Black
 Jacket Diameter 0.11 in [2.79 mm]

One Time Minimum Bend Radius 0.25 in [6.35 mm]

Click the following link (or enter part number in "SEARCH" on website) to obtain additional part information including price, inventory and certifications: [SMB Jack Bulkhead to SMA Male Low Loss Cable Using LMR-100 Coax with HeatShrink PE3W02410/HS](#)



SMB Jack Bulkhead to SMA Male Low Loss Cable
Using LMR-100 Coax with HeatShrink

RF Cable Assemblies Technical Data Sheet

PE3W02410/HS

Repeated Minimum Bend Radius	1 in [25.4 mm]
Bending Moment	0.1 lbs-ft [0.14 N-m]
Flat Plate Crush	10 lbs/in [0.18 Kg/mm]
Tensile Strength	15 lbs [6.8 Kg]

Connectors

Description	Connector 1	Connector 2
Type	SMB Jack Bulkhead	SMA Male
Specification	MIL-STD-348A	
Impedance	50 Ohms	50 Ohms
Contact Material and Plating	Brass, Gold	Brass, Gold
Contact Plating Specification	30 µin minimum	
Dielectric Type	PTFE	Teflon
Body Material and Plating	Brass, Nickel	Stainless Steel
Body Plating Specification	100 µin minimum	
Coupling Nut Material and Plating		Stainless Steel

Compliance Certifications (see [product page](#) for current document)

Plotted and Other Data

Notes:

Click the following link (or enter part number in "SEARCH" on website) to obtain additional part information including price, inventory and certifications: [SMB Jack Bulkhead to SMA Male Low Loss Cable Using LMR-100 Coax with HeatShrink PE3W02410/HS](#)



SMB Jack Bulkhead to SMA Male Low Loss Cable
Using LMR-100 Coax with HeatShrink

RF Cable Assemblies Technical Data Sheet

PE3W02410/HS

How to Order

Part Number Configuration:

PE3W02410/HS - xx uu

Unit of Measure:
cm = Centimeters
<blank> = Inches
Length
Base Number

Example: PE3W02410/HS-12 = 12 inches long cable
PE3W02410/HS-100cm = 100 cm long cable

SMB Jack Bulkhead to SMA Male Low Loss Cable Using LMR-100 Coax with HeatShrink from Pasternack Enterprises has same day shipment for domestic and International orders. Our RF, microwave and millimeter wave products maintain a 99.4% availability and are part of the broadest selection in the industry.

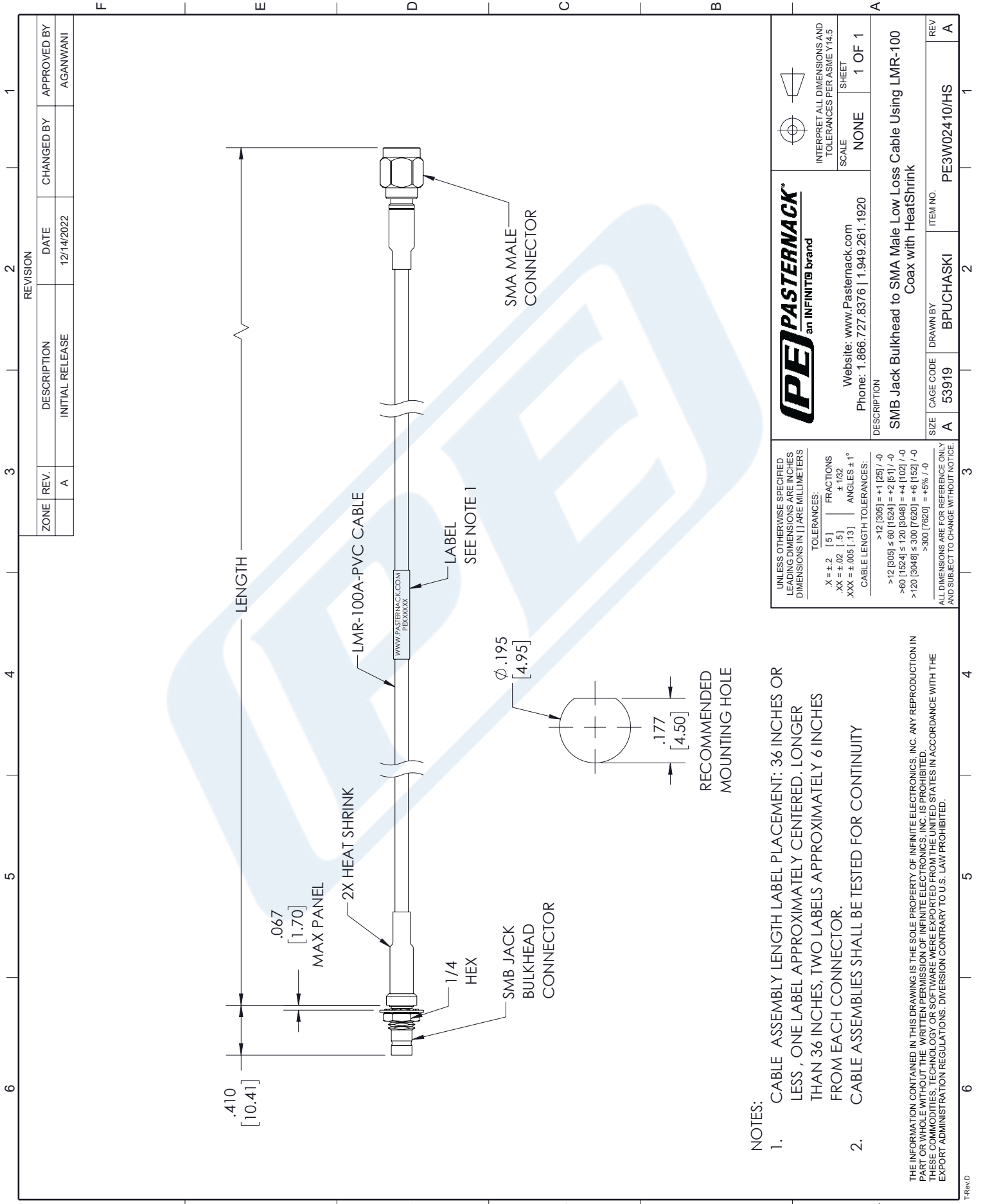
Click the following link (or enter part number in "SEARCH" on website) to obtain additional part information including price, inventory and certifications: [SMB Jack Bulkhead to SMA Male Low Loss Cable Using LMR-100 Coax with HeatShrink PE3W02410/HS](https://www.pasternack.com/smb-jack-bulkhead-to-sma-male-low-loss-cable-using-lmr-100-coax-with-heatshrink-pe3w02410/hs)

URL: <https://www.pasternack.com/smb-jack-bulkhead-to-sma-male-low-loss-cable-using-lmr-100-with-heatshrink-pe3w02410-hs-p.aspx>

The information contained in this document is accurate to the best of our knowledge and representative of the part described herein. It may be necessary to make modifications to the part and/or the documentation of the part, in order to implement improvements. Pasternack reserves the right to make such changes as required. Unless otherwise stated, all specifications are nominal. Pasternack does not make any representation or warranty regarding the suitability of the part described herein for any particular purpose, and Pasternack does not assume any liability arising out of the use of any part or documentation.

PE3W02410/HS CAD Drawing

SMB Jack Bulkhead to SMA Male Low Loss Cable Using LMR-100 Coax with HeatShrink



NOTES:

1. CABLE ASSEMBLY LENGTH LABEL PLACEMENT: 36 INCHES OR LESS, ONE LABEL APPROXIMATELY CENTERED. LONGER THAN 36 INCHES, TWO LABELS APPROXIMATELY 6 INCHES FROM EACH CONNECTOR.
2. CABLE ASSEMBLIES SHALL BE TESTED FOR CONTINUITY

THE INFORMATION CONTAINED IN THIS DRAWING IS THE SOLE PROPERTY OF INFINITE ELECTRONICS, INC. ANY REPRODUCTION IN PART OR WHOLE WITHOUT THE WRITTEN PERMISSION OF INFINITE ELECTRONICS, INC. IS PROHIBITED. THESE COMMODITIES, TECHNOLOGY OR SOFTWARE WERE EXPORTED FROM THE UNITED STATES IN ACCORDANCE WITH THE EXPORT ADMINISTRATION REGULATIONS. DIVERSION CONTRARY TO U.S. LAW PROHIBITED.

UNLESS OTHERWISE SPECIFIED LEADING DIMENSIONS ARE INCHES DIMENSIONS IN [] ARE MILLIMETERS

TOLERANCES:
 .X = ±.2 [5] FRACTIONS ± 1/32
 .XX = ±.02 [.5] ANGLES ± 1°
 .XXX = ±.005 [.13] CABLE LENGTH TOLERANCES:
 >12 [305] = +1 [25] / -0
 >12 [305] ≤ 60 [1524] = +2 [51] / -0
 >60 [1524] ≤ 120 [3048] = +4 [102] / -0
 >120 [3048] ≤ 300 [7620] = +6 [152] / -0
 >300 [7620] = +5% / -0

ALL DIMENSIONS ARE FOR REFERENCE ONLY AND SUBJECT TO CHANGE WITHOUT NOTICE.

		INTERPRET ALL DIMENSIONS AND TOLERANCES PER ASME Y14.5 SCALE: NONE SHEET: 1 OF 1	
Website: www.Pasternack.com Phone: 1.866.727.8376 1.949.261.1920		DESCRIPTION: SMB Jack Bulkhead to SMA Male Low Loss Cable Using LMR-100 Coax with HeatShrink	
SIZE: A	CAGE CODE: 53919	DRAWN BY: BPUCHASKI	ITEM NO.: PE3W02410/HS
REV: A		REV: A	