

BNC Male to SMA Male Low Loss Cable 12 Inch Length Using LMR-240-UF Coax With Times Microwave Components with HeatShrink



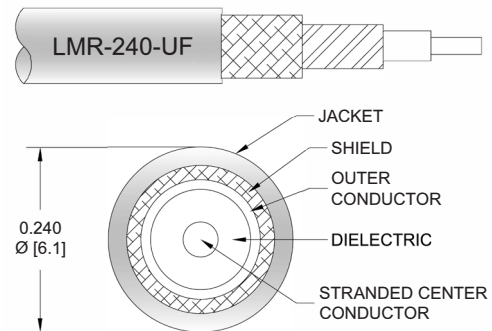
PE3W04820/HS-12

Configuration

- Connector 1: BNC Male
- Connector 2: SMA Male
- Cable Type: LMR-240-UF
- Coax Flex Type: Flexible

Features

- Max Frequency 4 GHz
- Shielding Effectivity > 90 dB
- 84% Phase Velocity
- Double Shielded
- TPE Jacket



Applications

- General Purpose
- Laboratory Use

Description

Pasternack's PE3W04820/HS-12 BNC male to SMA male 12 inch cable using LMR-240-UF coax is part of our full line of RF components available for same-day shipping. Pasternack's flexible RF cable assemblies are ideal for applications where tight bends and flexure are required. This Pasternack BNC to SMA cable assembly has a male to male gender configuration with 50 ohm flexible LMR-240-UF coax. The PE3W04820/HS-12 BNC male to SMA male cable assembly operates to 4 GHz. The double shielding of this Pasternack cable assembly provides excellent shielding effectiveness of better than 90 dB.

Custom versions of most RF cable assemblies can be built and shipped same day. Custom cable assembly lengths can be obtained by specifying the desired length on the web site at time of order or by contacting a sales representative. Other available RF cable assembly value added services include connector orientation or clocking, heat shrink booting and custom labeling. RF testing can also be performed to document the electrical performance of your cable assembly.

Electrical Specifications

Description	Minimum	Typical	Maximum	Units
Frequency Range	DC		4	GHz
VSWR			1.4:1	
Velocity of Propagation		84		%
RF Shielding	90			dB
Group Delay		1.21 [3.97]		ns/ft [ns/m]
Capacitance		24.2 [79.4]		pF/ft [pF/m]
Inductance		0.06 [0.2]		uH/ft [uH/m]
DC Resistance Inner Conductor		4.28 [14.04]		Ohms/1000ft [Ohms/Km]
DC Resistance Outer Conductor		3.89 [12.76]		Ohms/1000ft [Ohms/Km]

BNC Male to SMA Male Low Loss Cable
12 Inch Length Using LMR-240-UF Coax With
Times Microwave Components with HeatShrink



PE3W04820/HS-12

Electrical Specifications

Description	Minimum	Typical	Maximum	Units
Jacket Spark			5,000	Vrms

Specifications by Frequency

Description	F1	F2	F3	F4	F5	Units
Frequency	0.1	0.25	0.5	1	4	GHz
Insertion Loss (Typ.)	0.23	0.25	0.27	0.3	0.4	dB

Electrical Specification Notes:

Insertion Loss does not include the loss of the connectors. Insertion Loss is estimated as 0.1 dB for the straight connector.

Mechanical Specifications

Cable Assembly

Length	12 in [304.8 mm]
Width/Diameter	0.5 in [12.7 mm]
Weight	0.083 lbs [37.65 g]

Cable

Cable Type	LMR-240-UF
Impedance	50 Ohms
Inner Conductor Type	Stranded
Inner Conductor Material and Plating	Copper
Dielectric Type	PE (F)
Number of Shields	2
Shield Layer 1	Aluminum Tape
Shield Layer 2	Tinned Copper Braid
Jacket Material	TPE, Black
Jacket Diameter	0.24 in [6.1 mm]
One Time Minimum Bend Radius	0.75 in [19.05 mm]
Repeated Minimum Bend Radius	2.5 in [63.5 mm]
Bending Moment	0.13 lbs-ft [0.18 N-m]
Flat Plate Crush	13 lbs/in [0.23 Kg/mm]
Tensile Strength	80 lbs [36.29 Kg]

BNC Male to SMA Male Low Loss Cable
12 Inch Length Using LMR-240-UF Coax With
Times Microwave Components with HeatShrink



PE3W04820/HS-12

Connectors

Description	Connector 1	Connector 2
Type	BNC Male	SMA Male
Specification	MIL-STD-348	MIL-STD-348
Impedance	50 Ohms	50 Ohms
Configuration	Straight	Straight
Contact Material and Plating	Brass, Gold	Beryllium Copper, Gold
Contact Plating Specification		ASTM B488
Dielectric Type	PTFE	Teflon
Body Material and Plating	Brass, Nickel	Passivated Stainless Steel
Body Plating Specification		SAE-AMS-2700
Coupling Nut Material and Plating	Brass, Nickel	Passivated Stainless Steel
Coupling Nut Plating Specification		SAE-AMS-2700

Environmental Specifications

Compliance Certifications (see [product page](#) for current document)

Plotted and Other Data

Notes:

BNC Male to SMA Male Low Loss Cable
12 Inch Length Using LMR-240-UF Coax With
Times Microwave Components with HeatShrink

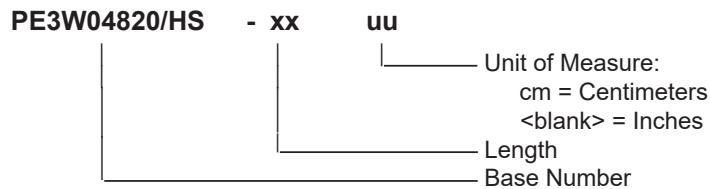


PE3W04820/HS-12

Typical Performance Data

How to Order

Part Number Configuration:



Example: PE3W04820/HS-12 = 12 inches long cable
PE3W04820/HS-100cm = 100 cm long cable

BNC Male to SMA Male Low Loss Cable 12 Inch Length Using LMR-240-UF Coax With Times Microwave Components with HeatShrink from Pasternack Enterprises has same day shipment for domestic and International orders. Our RF, microwave and millimeter wave products maintain a 99.4% availability and are part of the broadest selection in the industry.

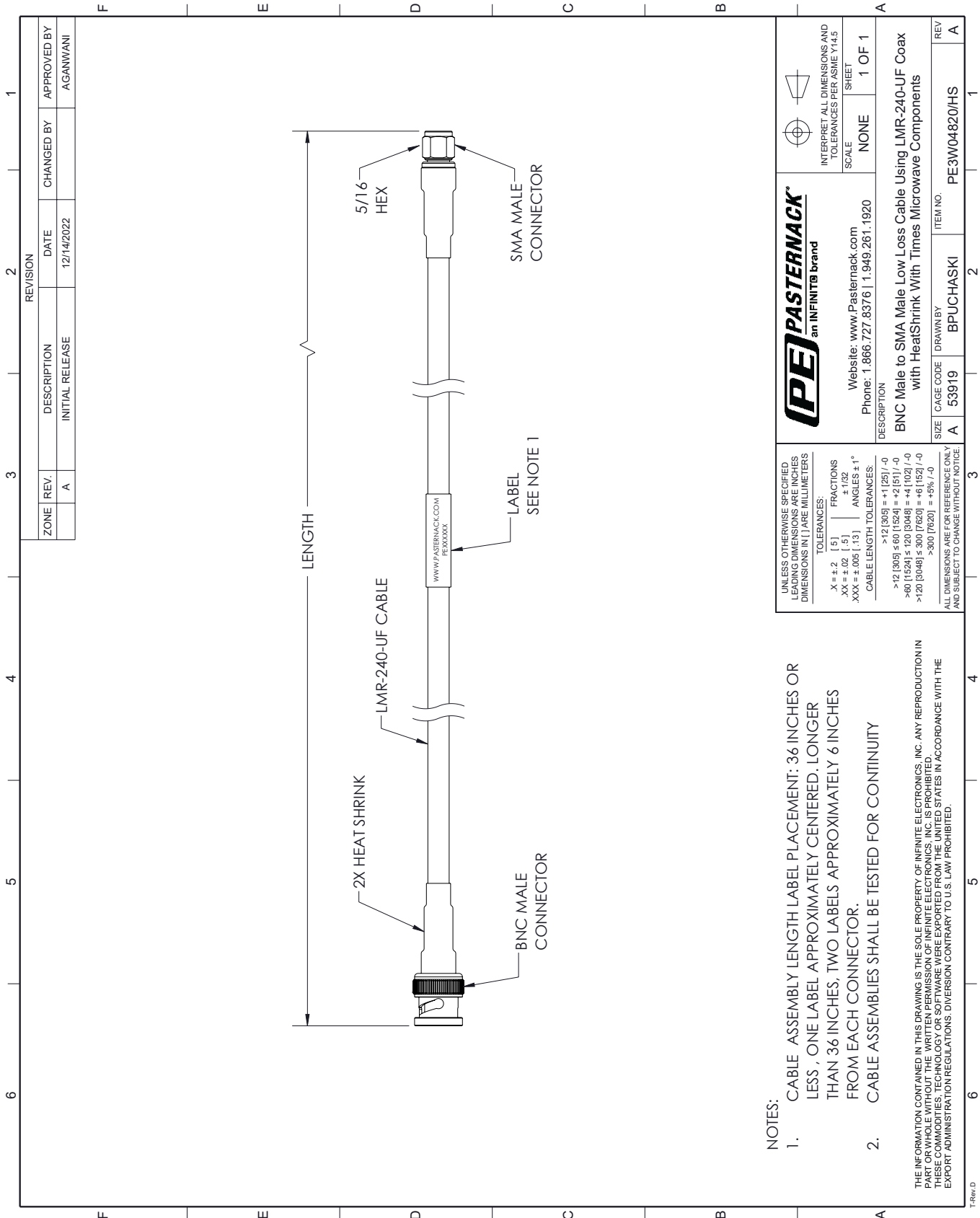
Click the following link (or enter part number in "SEARCH" on website) to obtain additional part information including price, inventory and certifications: [BNC Male to SMA Male Low Loss Cable 12 Inch Length Using LMR-240-UF Coax With Times Microwave Components with HeatShrink PE3W04820/HS-12](#)

URL: <https://www.pasternack.com/bnc-male-to-sma-male-low-loss-cable-12-inch-length-using-lmr-240-uf-with-heatshrink-pe3w04820-hs-12-p.aspx>

The information contained within this document is accurate to the best of our knowledge and representative of the part described herein. It may be necessary to make modifications to the part and/or the documentation of the part in order to impliment improvements. Pasternack Enterprises reserves the right to make such changes as required. Unless otherwise stated, all specifications are nominal. Pasternack Enterprises does not make any representation or warranty regarding the suitability of the part described herein for any particular purpose, and Pasternack Enterprises does not assume liability arising out of the use of any part or document.

PE3W04820/HS-12 CAD Drawing

BNC Male to SMA Male Low Loss Cable 12 Inch Length Using LMR-240-UF Coax With Times Microwave Components with HeatShrink



ZONE	REV.	DESCRIPTION	DATE	CHANGED BY	APPROVED BY
	A	INITIAL RELEASE	12/14/2022		AGANWANI

PE PASTERNAK
an INFINITE brand

Website: www.Pasternack.com
Phone: 1.866.727.8376 | 1.949.261.1920

SCALE: NONE SHEET: 1 OF 1

INTERPRET ALL DIMENSIONS AND TOLERANCES PER ASME Y14.5

DESCRIPTION: BNC Male to SMA Male Low Loss Cable Using LMR-240-UF Coax with HeatShrink With Times Microwave Components

ITEM NO. PE3W04820/HS

SIZE: A CAGE CODE: 53919 DRAWN BY: BPUCHASKI

UNLESS OTHERWISE SPECIFIED LEADING DIMENSIONS ARE IN INCHES DIMENSIONS IN [] ARE IN MILLIMETERS

TOLERANCES:
X = ±.2 [.5] FRACTIONS ±.132
XX = ±.02 [.5] ANGLES ±1°
XXX = ±.005 [.13]

CABLE LENGTH TOLERANCES:
>12 [305] = +.1 [25] / -0
>60 [1524] = ±.00 [3048] = +.4 [102] / -0
>120 [3048] = ±.00 [7620] = +.6 [152] / -0
>300 [7620] = -.05 / -0

ALL DIMENSIONS ARE FOR REFERENCE ONLY AND SUBJECT TO CHANGE WITHOUT NOTICE

NOTES:

- CABLE ASSEMBLY LABEL PLACEMENT: 36 INCHES OR LESS, ONE LABEL APPROXIMATELY CENTERED, LONGER THAN 36 INCHES, TWO LABELS APPROXIMATELY 6 INCHES FROM EACH CONNECTOR.
- CABLE ASSEMBLIES SHALL BE TESTED FOR CONTINUITY

THE INFORMATION CONTAINED IN THIS DRAWING IS THE SOLE PROPERTY OF INFINITE ELECTRONICS, INC. ANY REPRODUCTION IN PART OR WHOLE WITHOUT THE WRITTEN PERMISSION OF INFINITE ELECTRONICS, INC. IS PROHIBITED. THESE COMMODITIES, TECHNOLOGY OR SOFTWARE WERE EXPORTED FROM THE UNITED STATES IN ACCORDANCE WITH THE EXPORT ADMINISTRATION REGULATIONS. DIVERSION CONTRARY TO U.S. LAW PROHIBITED.