



Black FAKRA Jack to MMCX Plug Right Angle Cable Using RG188-DS Coax with HeatShrink, LF Solder

RF Cable Assemblies Technical Data Sheet

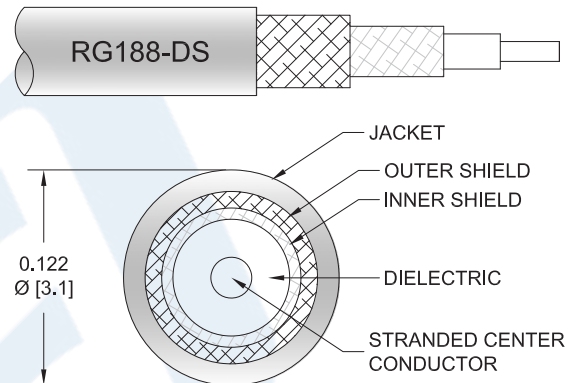
PE3W07428LF/HS

Configuration

- Connector 1: FAKRA Jack
- Connector 2: MMCX Plug Right Angle
- Cable Type: RG188-DS

Features

- Max Frequency 4 GHz
- Double Shielded
- PTFE Jacket



Applications

- General Purpose
- Laboratory Use

Description

Pasternack's PE3W07428LF/HS black FAKRA jack to MMCX plug right angle cable using RG188-DS coax is part of our full line of RF components available for same-day shipping. Pasternack's flexible RF cable assemblies are ideal for applications where tight bends and flexure are required. This Pasternack FAKRA to MMCX cable assembly has a jack to plug gender configuration with 50 ohm flexible RG188-DS coax. The PE3W07428LF/HS FAKRA jack to MMCX plug cable assembly operates to 4 GHz. The right angle MMCX interface on the RG188-DS cable allows for easier connections in tight spaces. The double shielding of this Pasternack cable assembly provides excellent shielding effectiveness.

Custom versions of most RF cable assemblies can be built and shipped same day. Custom cable assembly lengths can be obtained by specifying the desired length on the web site at time of order or by contacting a sales representative. Other available RF cable assembly value added services include connector orientation or clocking, heat shrink booting and custom labeling. RF testing can also be performed to document the electrical performance of your cable assembly.

Click the following link (or enter part number in "SEARCH" on website) to obtain additional part information including price, inventory and certifications: [Black FAKRA Jack to MMCX Plug Right Angle Cable Using RG188-DS Coax with HeatShrink, LF Solder PE3W07428LF/HS](#)



Black FAKRA Jack to MMCX Plug Right Angle Cable
Using RG188-DS Coax with HeatShrink, LF Solder

RF Cable Assemblies Technical Data Sheet

PE3W07428LF/HS

Electrical Specifications

Description	Minimum	Typical	Maximum	Units
Frequency Range	DC		4	GHz
VSWR			1.4:1	
Capacitance		32 [104.99]		pF/ft [pF/m]

Specifications by Frequency

Description	F1	F2	F3	F4	F5	Units
Frequency	0.1	0.25	0.5	1	4	GHz
Insertion Loss (Typ.)	0.115	0.145	0.197	0.3	0.667	dB/ft
	0.38	0.48	0.65	0.98	2.19	

Electrical Specification Notes:

Insertion Loss does not include the loss of the connectors. Insertion Loss is estimated as 0.1 dB for the FAKRA jack connector and 0.2 dB for the MMCX plug connector.

Mechanical Specifications

Cable Assembly

Weight 0.03 lbs [13.61 g]

Cable

Cable Type RG188-DS
 Impedance 50 Ohms
 Inner Conductor Type Stranded
 Inner Conductor Material and Plating Copper Clad Steel, Silver
 Dielectric Type PTFE
 Number of Shields 2
 Shield Layer 1 Silver Plated Copper Braid
 Shield Layer 2 Silver Plated Copper Braid
 Jacket Material PTFE, White
 Jacket Diameter 0.118 in [3 mm]

Click the following link (or enter part number in "SEARCH" on website) to obtain additional part information including price, inventory and certifications: [Black FAKRA Jack to MMCX Plug Right Angle Cable Using RG188-DS Coax with HeatShrink, LF Solder PE3W07428LF/HS](#)



Black FAKRA Jack to MMCX Plug Right Angle Cable
Using RG188-DS Coax with HeatShrink, LF Solder

RF Cable Assemblies Technical Data Sheet

PE3W07428LF/HS

Connectors

Description	Connector 1	Connector 2
Type	FAKRA Jack	MMCX Plug Right Angle
Specification		BS EN 122340
Impedance	50 Ohms	50 Ohms
Configuration	Straight	Right Angle
Contact Material and Plating	Phosphor Bronze, Gold	Brass, Gold
Contact Plating Specification		30μ in. minimum
Dielectric Type	Teflon	Teflon
Outer Conductor Material and Plating	Brass, Nickel	
Body Material and Plating	Plastic	Brass, Gold
Body Plating Specification		3μ in. minimum

Environmental Specifications

Temperature

Operating Range -40 to +85 deg C

Compliance Certifications (see [product page](#) for current document)

Plotted and Other Data

Notes:

Click the following link (or enter part number in "SEARCH" on website) to obtain additional part information including price, inventory and certifications: [Black FAKRA Jack to MMCX Plug Right Angle Cable Using RG188-DS Coax with HeatShrink, LF Solder PE3W07428LF/HS](#)



Black FAKRA Jack to MMCX Plug Right Angle Cable
Using RG188-DS Coax with HeatShrink, LF Solder

RF Cable Assemblies Technical Data Sheet

PE3W07428LF/HS

How to Order

Part Number Configuration:

PE3W07428LF/HS - xx

uu

Unit of Measure:
cm = Centimeters
<blank> = Inches
Length
Base Number

Example: PE3W07428LF/HS-12 = 12 inches long cable
PE3W07428LF/HS-100cm = 100 cm long cable

Black FAKRA Jack to MMCX Plug Right Angle Cable Using RG188-DS Coax with HeatShrink, LF Solder from Pasternack Enterprises has same day shipment for domestic and International orders. Our RF, microwave and millimeter wave products maintain a 99.4% availability and are part of the broadest selection in the industry.

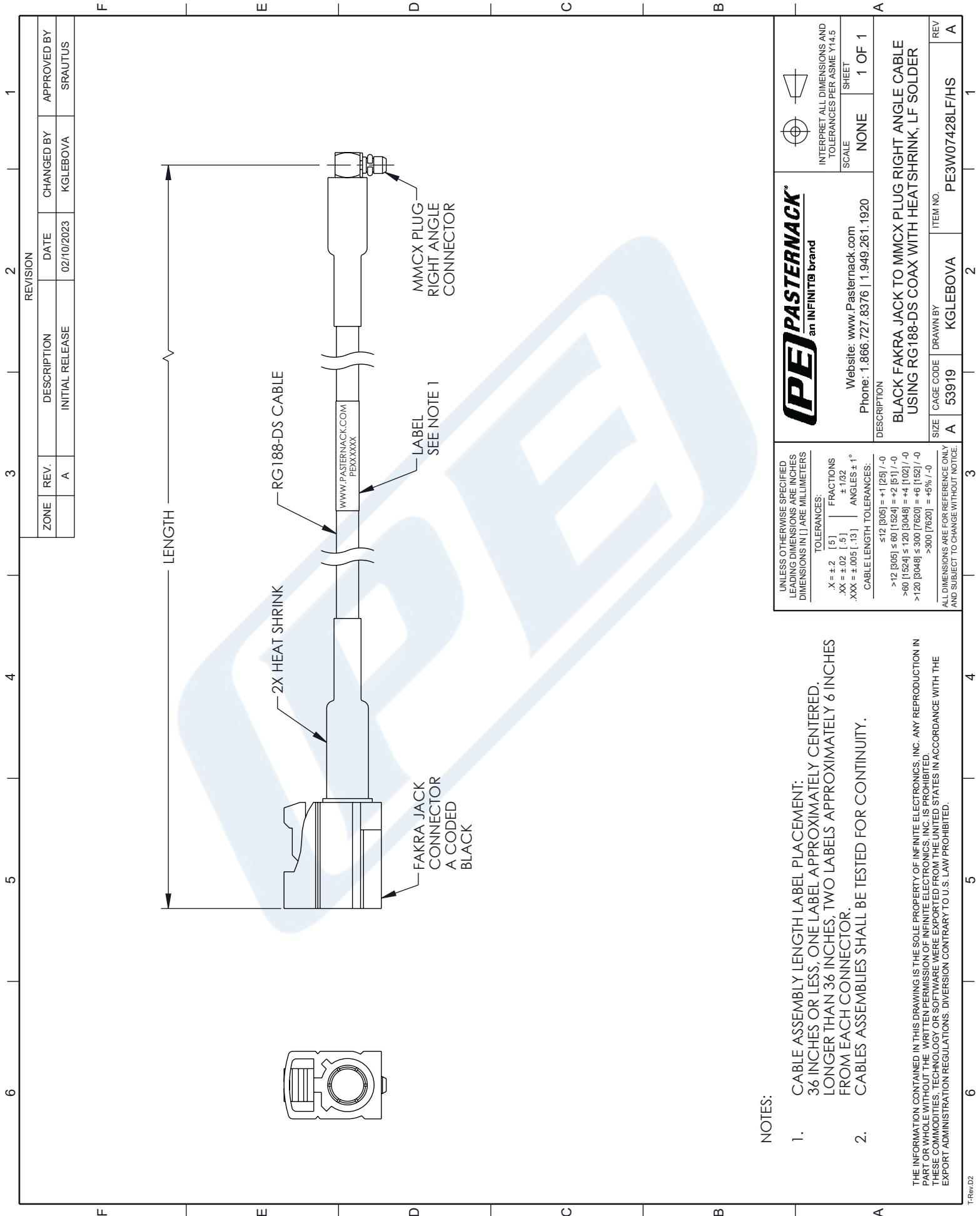
Click the following link (or enter part number in "SEARCH" on website) to obtain additional part information including price, inventory and certifications: [Black FAKRA Jack to MMCX Plug Right Angle Cable Using RG188-DS Coax with HeatShrink, LF Solder PE3W07428LF/HS](https://www.pasternack.com/fakra-jack-to-mmcx-plug-right-angle-cable-using-rg188-ds-coax-with-heatshrink-lf-solder-pe3w07428lf-hs-p.aspx)

URL: <https://www.pasternack.com/fakra-jack-to-mmcx-plug-right-angle-cable-using-rg188-ds-with-heatshrink-lf-solder-pe3w07428lf-hs-p.aspx>

The information contained in this document is accurate to the best of our knowledge and representative of the part described herein. It may be necessary to make modifications to the part and/or the documentation of the part, in order to implement improvements. Pasternack reserves the right to make such changes as required. Unless otherwise stated, all specifications are nominal. Pasternack does not make any representation or warranty regarding the suitability of the part described herein for any particular purpose, and Pasternack does not assume any liability arising out of the use of any part or documentation.

PE3W07428LF/HS CAD Drawing

Black FAKRA Jack to MMCX Plug Right Angle Cable Using RG188-DS Coax with HeatShrink, LF Solder



REVISION		DATE	CHANGED BY	APPROVED BY
ZONE	REV.	DESCRIPTION	INITIAL RELEASE	
	A			SRAUTUS

PE PASTERNAK
an INFINITO brand

Website: www.Pasternack.com
Phone: 1.866.727.8376 | 1.949.261.1920

DESCRIPTION
BLACK FAKRA JACK TO MMCX PLUG RIGHT ANGLE CABLE USING RG188-DS COAX WITH HEATSHRINK, LF SOLDER

ITEM NO. PE3W07428LF/HS

INTERPRET ALL DIMENSIONS AND TOLERANCES PER ASME Y14.5

SCALE NONE SHEET 1 OF 1

SIZE A CAGE CODE 53919 DRAWN BY KGLEBOVA

REV A

UNLESS OTHERWISE SPECIFIED LEADING DIMENSIONS ARE INCHES DIMENSIONS IN [] ARE MILLIMETERS

TOLERANCES:
 .X = ±.2 [.5] FRACTIONS ±.1/32
 .XX = ±.02 [.5] ANGLES ± 1°
 .XXX = ±.005 [.13]
 CABLE LENGTH TOLERANCES:
 ≤12 [305] = +1 [25] / -0
 >12 [305] ≤ 60 [1524] = +2 [51] / -0
 >60 [1524] ≤ 120 [3048] = +4 [102] / -0
 >120 [3048] ≤ 300 [7620] = +6 [152] / -0
 >300 [7620] = +5% / -0

ALL DIMENSIONS ARE FOR REFERENCE ONLY AND SUBJECT TO CHANGE WITHOUT NOTICE.

- NOTES:
- CABLE ASSEMBLY LENGTH LABEL PLACEMENT: 36 INCHES OR LESS, ONE LABEL APPROXIMATELY CENTERED, LONGER THAN 36 INCHES, TWO LABELS APPROXIMATELY 6 INCHES FROM EACH CONNECTOR.
 - CABLES ASSEMBLIES SHALL BE TESTED FOR CONTINUITY.
- THE INFORMATION CONTAINED IN THIS DRAWING IS THE SOLE PROPERTY OF INFINITE ELECTRONICS, INC. ANY REPRODUCTION IN PART OR WHOLE WITHOUT THE WRITTEN PERMISSION OF INFINITE ELECTRONICS, INC. IS PROHIBITED. THESE COMMODITIES, TECHNOLOGY OR SOFTWARE WERE EXPORTED FROM THE UNITED STATES IN ACCORDANCE WITH THE EXPORT ADMINISTRATION REGULATIONS. DIVERSION CONTRARY TO U.S. LAW PROHIBITED.