



SHV Plug to MHV Male Low Loss Cable Using PE-C195 Coax

RF Cable Assemblies Technical Data Sheet

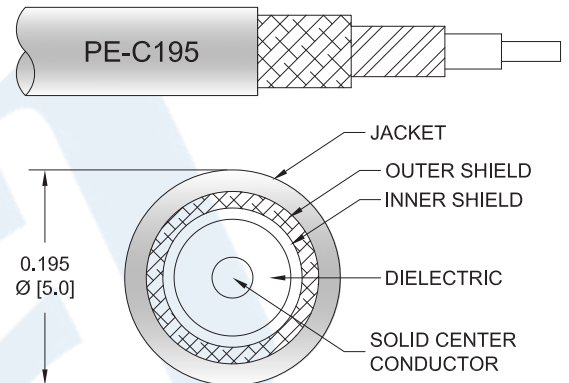
PE3W08565

Configuration

- Connector 1: SHV Plug
- Connector 2: MHV Male
- Cable Type: PE-C195

Features

- Max Frequency 300 MHz
- Shielding Effectivity > 90 dB
- 80% Phase Velocity
- Double Shielded
- PE Jacket



Applications

- General Purpose
- Laboratory Use

Description

Pasternack's PE3W08565 SHV plug to MHV male cable using PE-C195 coax is part of our full line of RF components available for same-day shipping. Pasternack's flexible RF cable assemblies are ideal for applications where tight bends and flexure are required. This Pasternack SHV to MHV cable assembly has a plug to male gender configuration with 50 ohm flexible PE-C195 coax. The PE3W08565 SHV plug to MHV male cable assembly operates to 300 MHz. The double shielding of this Pasternack cable assembly provides excellent shielding effectiveness of better than 90 dB.

Custom versions of most RF cable assemblies can be built and shipped same day. Custom cable assembly lengths can be obtained by specifying the desired length on the web site at time of order or by contacting a sales representative. Other available RF cable assembly value added services include connector orientation or clocking, heat shrink booting and custom labeling. RF testing can also be performed to document the electrical performance of your cable assembly.

Click the following link (or enter part number in "SEARCH" on website) to obtain additional part information including price, inventory and certifications: [SHV Plug to MHV Male Low Loss Cable Using PE-C195 Coax PE3W08565](#)



SHV Plug to MHV Male Low Loss Cable Using PE-C195 Coax

RF Cable Assemblies Technical Data Sheet

PE3W08565

Electrical Specifications

Description	Minimum	Typical	Maximum	Units
Frequency Range	DC		300	MHz
VSWR			1.4:1	
Velocity of Propagation		80		%
RF Shielding	90			dB
Capacitance		25.4 [83.33]		pF/ft [pF/m]
Jacket Spark			5,000	Vrms

Specifications by Frequency

Description	F1	F2	F3	F4	F5	Units
Frequency	150	220	250			MHz
Insertion Loss (Typ.)	0.044	0.054	0.057			dB/ft
	0.14	0.18	0.19			dB/m

Electrical Specification Notes:

Insertion Loss does not include the loss of the connectors. Insertion Loss is estimated as 0.1 dB for the straight connector.

Mechanical Specifications

Cable Assembly

Weight 0.117 lbs [53.07 g]

Cable

Cable Type PE-C195
 Impedance 50 Ohms
 Inner Conductor Type Solid
 Inner Conductor Material and Plating Copper
 Dielectric Type PE (F)
 Number of Shields 2
 Shield Layer 1 Aluminum Tape
 Shield Layer 2 Tinned Copper Braid
 Jacket Material PE, Black
 Jacket Diameter 0.195 in [4.95 mm]

One Time Minimum Bend Radius 0.5 in [12.7 mm]

Repeated Minimum Bend Radius 2 in [50.8 mm]

Click the following link (or enter part number in "SEARCH" on website) to obtain additional part information including price, inventory and certifications: [SHV Plug to MHV Male Low Loss Cable Using PE-C195 Coax PE3W08565](#)



SHV Plug to MHV Male Low Loss Cable Using PE-C195 Coax

RF Cable Assemblies Technical Data Sheet

PE3W08565

Connectors

Description	Connector 1	Connector 2
Type	SHV Plug	MHV Male
Specification	MIL-STD-348A	MIL-STD-348A
Impedance	50 Ohms	50 Ohms
Contact Material and Plating	Brass, Gold	Brass, Gold
Contact Plating Specification	30 µin minimum	30 µin minimum
Dielectric Type	PTFE	PTFE
Body Material and Plating	Brass, Nickel	Brass, Nickel
Body Plating Specification	100 µin minimum	100 µin minimum
Coupling Nut Material and Plating	Brass, Nickel	Brass, Nickel
Coupling Nut Plating Specification	100 µin minimum	100 µin minimum

Environmental Specifications

Temperature

Operating Range -40 to +85 deg C

Compliance Certifications (see [product page](#) for current document)

Plotted and Other Data

Notes:

Click the following link (or enter part number in "SEARCH" on website) to obtain additional part information including price, inventory and certifications: [SHV Plug to MHV Male Low Loss Cable Using PE-C195 Coax PE3W08565](#)



SHV Plug to MHV Male Low Loss Cable Using PE-C195 Coax

RF Cable Assemblies Technical Data Sheet

PE3W08565

How to Order

Part Number Configuration:

PE3W08565

- **xx**

uu

Unit of Measure:
cm = Centimeters
<blank> = Inches
Length
Base Number

Example: PE3W08565-12 = 12 inches long cable
PE3W08565-100cm = 100 cm long cable

SHV Plug to MHV Male Low Loss Cable Using PE-C195 Coax from Pasternack Enterprises has same day shipment for domestic and International orders. Our RF, microwave and millimeter wave products maintain a 99.4% availability and are part of the broadest selection in the industry.

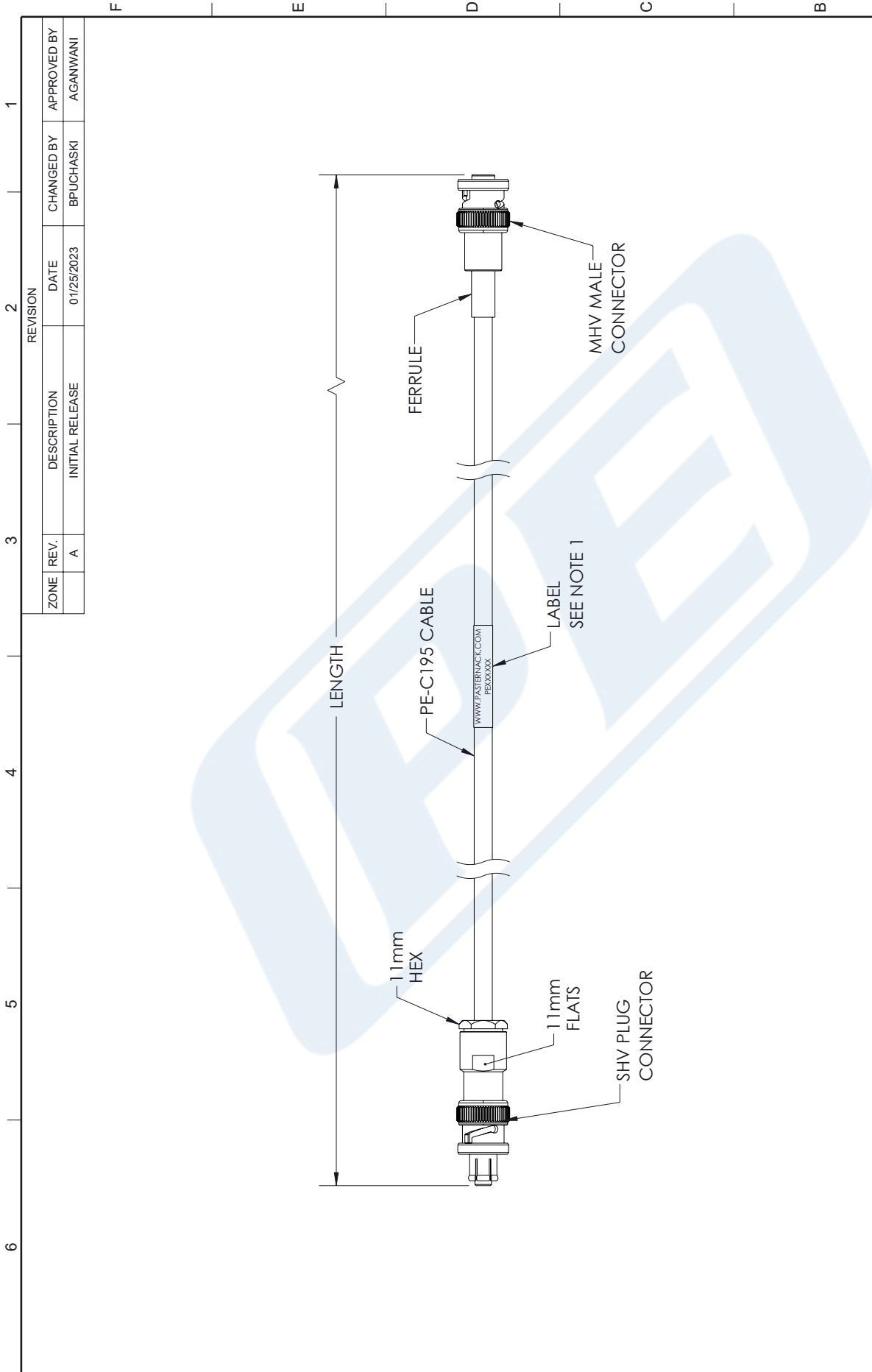
Click the following link (or enter part number in "SEARCH" on website) to obtain additional part information including price, inventory and certifications: [SHV Plug to MHV Male Low Loss Cable Using PE-C195 Coax PE3W08565](https://www.pasternack.com/shv-plug-to-mhv-male-low-loss-cable-using-pe-c195-pe3w08565-p.aspx)

URL: <https://www.pasternack.com/shv-plug-to-mhv-male-low-loss-cable-using-pe-c195-pe3w08565-p.aspx>

The information contained in this document is accurate to the best of our knowledge and representative of the part described herein. It may be necessary to make modifications to the part and/or the documentation of the part, in order to implement improvements. Pasternack reserves the right to make such changes as required. Unless otherwise stated, all specifications are nominal. Pasternack does not make any representation or warranty regarding the suitability of the part described herein for any particular purpose, and Pasternack does not assume any liability arising out of the use of any part or documentation.

PE3W08565 CAD Drawing

SHV Plug to MHV Male Low Loss Cable Using PE-C195 Coax



UNLESS OTHERWISE SPECIFIED LEADING DIMENSIONS ARE INCHES DIMENSIONS IN [] ARE MILLIMETERS

TOLERANCES:

X = ±.2 [.5]	FRACTIONS ± 1/32
.XX = ±.02 [.5]	ANGLES ± 1°
.XXX = ±.005 [.13]	

CABLE LENGTH TOLERANCES:

≤ 12 [305]	± .1 [.25] / -0
> 12 [305] ≤ 60 [1524]	± .2 [.5] / -0
> 60 [1524] ≤ 120 [3048]	± .4 [1.02] / -0
> 120 [3048] ≤ 300 [7620]	± .6 [1.52] / -0
> 300 [7620]	± .8 [2.03] / -0

ALL DIMENSIONS ARE FOR REFERENCE ONLY AND SUBJECT TO CHANGE WITHOUT NOTICE.

PE PASTERNAK
an INFINITIB brand

Website: www.Pasternack.com
Phone: 1.866.727.8376 | 1.949.261.1920

INTERPRET ALL DIMENSIONS AND TOLERANCES PER ASME Y14.5

SCALE: NONE
SHEET: 1 OF 1

DESCRIPTION: SHV Plug to MHV Male Low Loss Cable Using PE-C195 Coax

ZONE	REV.	DESCRIPTION	DATE	CHANGED BY	APPROVED BY
	A	INITIAL RELEASE	01/25/2023	BPUCHASKI	AGANWANI

NOTES:

- CABLE ASSEMBLY LENGTH LABEL PLACEMENT: 36 INCHES OR LESS, ONE LABEL APPROXIMATELY CENTERED. LONGER THAN 36 INCHES, TWO LABELS APPROXIMATELY 6 INCHES FROM EACH CONNECTOR.
- CABLE ASSEMBLIES SHALL BE TESTED FOR CONTINUITY

THE INFORMATION CONTAINED IN THIS DRAWING IS THE SOLE PROPERTY OF INFINITE ELECTRONICS, INC. ANY REPRODUCTION IN PART OR WHOLE WITHOUT THE WRITTEN PERMISSION OF INFINITE ELECTRONICS, INC. IS PROHIBITED. THESE COMMODITIES, TECHNOLOGY OR SOFTWARE WERE EXPORTED FROM THE UNITED STATES IN ACCORDANCE WITH THE EXPORT ADMINISTRATION REGULATIONS. DIVERSION CONTRARY TO U.S. LAW PROHIBITED.