



Push-On SMP Female Right Angle to TNC Female Low Loss Cable Using LMR-100 Coax

RF Cable Assemblies Technical Data Sheet

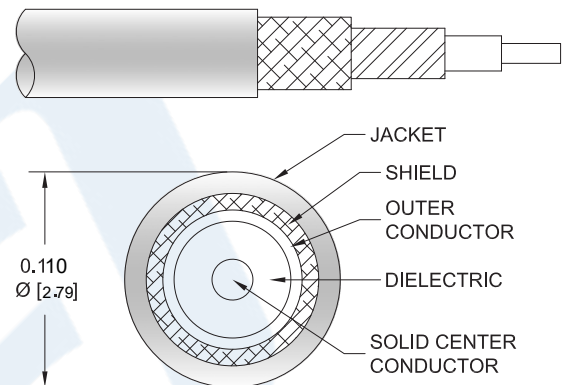
PE3W09287

Configuration

- Connector 1: Push-OnSMP Female Right Angle
- Connector 2: TNC Female
- Cable Type: LMR-100A

Features

- Shielding Effectivity > 90 dB
- 66% Phase Velocity
- Double Shielded
- PVC Jacket



Applications

- General Purpose
- Laboratory Use

Description

Pasternack's PE3W09287 SMP female push-on right angle to TNC female cable using LMR-100 coax is part of our full line of RF components available for same-day shipping. Pasternack's flexible RF cable assemblies are ideal for applications where tight bends and flexure are required. This Pasternack SMP to TNC cable assembly has a female to female gender configuration with 50 ohm flexible LMR-100A coax. The right angle SMP interface on the LMR-100A cable allows for easier connections in tight spaces. The double shielding of this Pasternack cable assembly provides excellent shielding effectiveness of better than 90 dB.

Custom versions of most RF cable assemblies can be built and shipped same day. Custom cable assembly lengths can be obtained by specifying the desired length on the web site at time of order or by contacting a sales representative. Other available RF cable assembly value added services include connector orientation or clocking, heat shrink booting and custom labeling. RF testing can also be performed to document the electrical performance of your cable assembly.

Click the following link (or enter part number in "SEARCH" on website) to obtain additional part information including price, inventory and certifications: [Push-On SMP Female Right Angle to TNC Female Low Loss Cable Using LMR-100 Coax PE3W09287](#)



Push-On SMP Female Right Angle to TNC Female
Low Loss Cable Using LMR-100 Coax

RF Cable Assemblies Technical Data Sheet

PE3W09287

Electrical Specifications

Description	Minimum	Typical	Maximum	Units
Velocity of Propagation		66		%
RF Shielding	90			dB
Group Delay		1.54 [5.05]		ns/ft [ns/m]
Capacitance		30.8 [101.05]		pF/ft [pF/m]
Inductance		0.077 [0.25]		uH/ft [uH/m]
DC Resistance Inner Conductor		81 [265.75]		Ω /1000ft [Ω /Km]
DC Resistance Outer Conductor		9.5 [31.17]		Ω /1000ft [Ω /Km]
Jacket Spark			2,000	Vrms

Mechanical Specifications

Cable Assembly

Cable

Cable Type	LMR-100A
Impedance	50 Ohms
Inner Conductor Type	Solid
Inner Conductor Material and Plating	Copper Clad Steel
Dielectric Type	PE
Number of Shields	2
Shield Layer 1	Aluminum Tape
Shield Layer 2	Tinned Copper Braid
Jacket Material	PVC, Black
Jacket Diameter	0.11 in [2.79 mm]
One Time Minimum Bend Radius	0.25 in [6.35 mm]
Repeated Minimum Bend Radius	1 in [25.4 mm]
Bending Moment	0.1 lbs-ft [0.14 N-m]
Flat Plate Crush	10 lbs/in [0.18 Kg/mm]
Tensile Strength	15 lbs [6.8 Kg]

Click the following link (or enter part number in "SEARCH" on website) to obtain additional part information including price, inventory and certifications: [Push-On SMP Female Right Angle to TNC Female Low Loss Cable Using LMR-100 Coax PE3W09287](#)



Push-On SMP Female Right Angle to TNC Female
Low Loss Cable Using LMR-100 Coax

RF Cable Assemblies Technical Data Sheet

PE3W09287

Connectors

Description	Connector 1	Connector 2
Type	SMP Female Right Angle	TNC Female
Specification	MIL-STD-348A	MIL-STD-348
Impedance	50 Ohms	50 Ohms
Connection Method	Push-On	
Contact Material and Plating	Beryllium Copper, Gold	Brass, Gold
Contact Plating Specification	30 μ in. minimum	
Dielectric Type	Teflon	PTFE
Outer Conductor Material and Plating	Beryllium Copper, Gold	
Outer Conductor Plating Specification	3 μ in. minimum	
Body Material and Plating	Brass, Gold	Brass, Nickel
Body Plating Specification	3 μ in. minimum	

Compliance Certifications (see [product page](#) for current document)

Plotted and Other Data

Notes:

Click the following link (or enter part number in "SEARCH" on website) to obtain additional part information including price, inventory and certifications: [Push-On SMP Female Right Angle to TNC Female Low Loss Cable Using LMR-100 Coax PE3W09287](#)



Push-On SMP Female Right Angle to TNC Female
Low Loss Cable Using LMR-100 Coax

RF Cable Assemblies Technical Data Sheet

PE3W09287

How to Order

Part Number Configuration:

PE3W09287

- **xx**

uu

Unit of Measure:
cm = Centimeters
<blank> = Inches
Length
Base Number

Example: PE3W09287-12 = 12 inches long cable
PE3W09287-100cm = 100 cm long cable

Push-On SMP Female Right Angle to TNC Female Low Loss Cable Using LMR-100 Coax from Pasternack Enterprises has same day shipment for domestic and International orders. Our RF, microwave and millimeter wave products maintain a 99.4% availability and are part of the broadest selection in the industry.

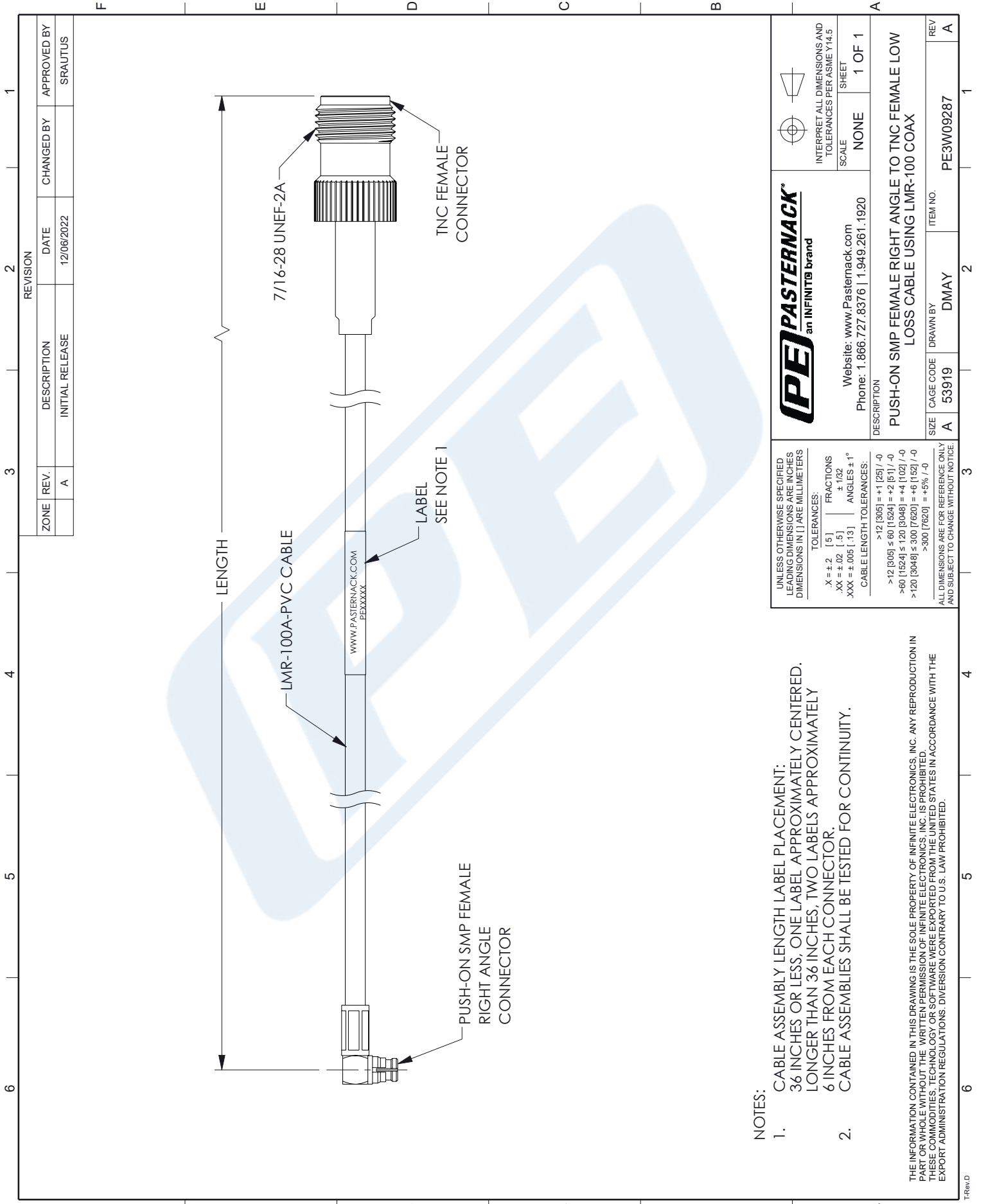
Click the following link (or enter part number in "SEARCH" on website) to obtain additional part information including price, inventory and certifications: [Push-On SMP Female Right Angle to TNC Female Low Loss Cable Using LMR-100 Coax PE3W09287](https://www.pasternack.com/push-on-smp-female-right-angle-to-tnc-female-low-loss-cable-using-lmr-100-pe3w09287)

URL: <https://www.pasternack.com/push-on-smp-female-right-angle-to-tnc-female-low-loss-cable-using-lmr-100-pe3w09287-p.aspx>

The information contained in this document is accurate to the best of our knowledge and representative of the part described herein. It may be necessary to make modifications to the part and/or the documentation of the part, in order to implement improvements. Pasternack reserves the right to make such changes as required. Unless otherwise stated, all specifications are nominal. Pasternack does not make any representation or warranty regarding the suitability of the part described herein for any particular purpose, and Pasternack does not assume any liability arising out of the use of any part or documentation.

PE3W09287 CAD Drawing

Push-On SMP Female Right Angle to TNC Female Low Loss Cable Using LMR-100 Coax



NOTES:

1. CABLE ASSEMBLY LENGTH LABEL PLACEMENT: 36 INCHES OR LESS, ONE LABEL APPROXIMATELY CENTERED. LONGER THAN 36 INCHES, TWO LABELS APPROXIMATELY 6 INCHES FROM EACH CONNECTOR.
2. CABLE ASSEMBLIES SHALL BE TESTED FOR CONTINUITY.

THE INFORMATION CONTAINED IN THIS DRAWING IS THE SOLE PROPERTY OF INFINITE ELECTRONICS, INC. ANY REPRODUCTION IN PART OR WHOLE WITHOUT THE WRITTEN PERMISSION OF INFINITE ELECTRONICS, INC. IS PROHIBITED. THESE COMMODITIES, TECHNOLOGY OR SOFTWARE WERE EXPORTED FROM THE UNITED STATES IN ACCORDANCE WITH THE EXPORT ADMINISTRATION REGULATIONS. DIVERSION CONTRARY TO U.S. LAW PROHIBITED.

UNLESS OTHERWISE SPECIFIED LEADING DIMENSIONS ARE INCHES DIMENSIONS IN [] ARE MILLIMETERS	
TOLERANCES:	
.X = ±.2 [.5]	FRACTIONS ±.1/32
.XX = ±.02 [.5]	ANGLES ± 1°
.XXX = ±.005 [.13]	CABLE LENGTH TOLERANCES:
	>12 [305] = +1 [25] / -0
	>12 [305] ≤ 60 [1524] = +2 [51] / -0
	>60 [1524] ≤ 120 [3048] = +4 [102] / -0
	>120 [3048] ≤ 300 [7620] = +6 [152] / -0
	>300 [7620] = +5% / -0
ALL DIMENSIONS ARE FOR REFERENCE ONLY AND SUBJECT TO CHANGE WITHOUT NOTICE.	

Website: www.Pasternack.com Phone: 1.866.727.8376 1.949.261.1920		INTERPRET ALL DIMENSIONS AND TOLERANCES PER ASME Y14.5 SCALE: NONE SHEET: 1 OF 1
DESCRIPTION: PUSH-ON SMP FEMALE RIGHT ANGLE TO TNC FEMALE LOW LOSS CABLE USING LMR-100 COAX		
SIZE: A CAGE CODE: 53919 DRAWN BY: DMAY	ITEM NO.: PE3W09287	REV: A