



## TNC Female Bulkhead to SMP Female Right Angle Cable 12 Inch Length Using PE-SR405FL Coax

### RF Cable Assemblies Technical Data Sheet

PE3W10030-12

#### Configuration

- Connector 1: TNC Female Bulkhead
- Connector 2: SMP Female Right Angle
- Cable Type: PE-SR405FL

#### Features

- Max Frequency 6 GHz
- 69.5% Phase Velocity

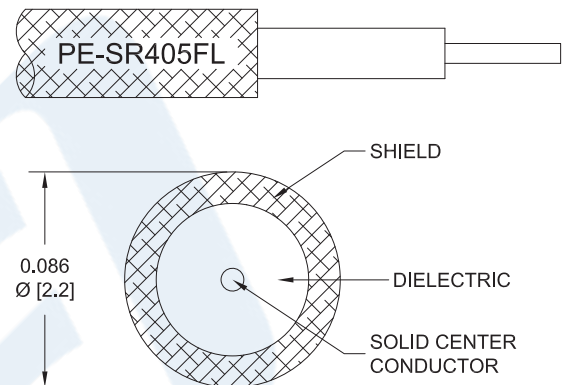
#### Applications

- General Purpose
- Laboratory Use

#### Description

Pasternack's PE3W10030-12 TNC female bulkhead to SMP female right angle 12 inch cable using PE-SR405FL coax is part of our full line of RF components available for same-day shipping. Pasternack's formable RF cable assemblies provide an alternative to costly pre-formed semi-rigid assemblies since they are hand formable. This Pasternack TNC to SMP cable assembly has a female to female gender configuration with 50 ohm formable PE-SR405FL coax. The PE3W10030-12 TNC female to SMP female cable assembly operates to 6 GHz. The right angle SMP interface on the PE-SR405FL cable allows for easier connections in tight spaces. Our RF cable assembly with TNC bulkhead interface allows designers to create external connections on their product enclosures, and can be used in a variety of other rack mount and panel mount applications.

Custom versions of most RF cable assemblies can be built and shipped same day. Custom cable assembly lengths can be obtained by specifying the desired length on the web site at time of order or by contacting a sales representative. Other available RF cable assembly value added services include connector orientation or clocking, heat shrink booting and custom labeling. RF testing can also be performed to document the electrical performance of your cable assembly.



Click the following link (or enter part number in "SEARCH" on website) to obtain additional part information including price, inventory and certifications: [TNC Female Bulkhead to SMP Female Right Angle Cable 12 Inch Length Using PE-SR405FL Coax PE3W10030-12](#)



TNC Female Bulkhead to SMP Female Right Angle  
Cable 12 Inch Length Using PE-SR405FL Coax

RF Cable Assemblies Technical Data Sheet

PE3W10030-12

**Electrical Specifications**

Description	Minimum	Typical	Maximum	Units
Frequency Range	DC		6	GHz
VSWR			1.4:1	
Velocity of Propagation		69.5		%
Capacitance		29 [95.14]		pF/ft [pF/m]
DC Resistance Inner Conductor		65.7 [215.55]		$\Omega$ /1000ft [ $\Omega$ /Km]
DC Resistance Outer Conductor		10.2 [33.46]		$\Omega$ /1000ft [ $\Omega$ /Km]

**Specifications by Frequency**

Description	F1	F2	F3	F4	F5	Units
Frequency	0.25	0.5	1	2.5	6	GHz
Insertion Loss (Typ.)	0.33	0.4	0.48	0.6	0.86	dB

**Electrical Specification Notes:**

The Insertion Loss data above is based on the performance specifications of the coax and connectors used in this assembly. The Insertion Loss includes an estimated 0.15 dB for the right angle connector and 0.1 dB for the straight connector.

**Mechanical Specifications**

**Cable Assembly**

Length\* 12 in [304.8 mm]  
Diameter 0.69 in [17.53 mm]

**Cable**

Cable Type PE-SR405FL  
Impedance 50 Ohms  
Inner Conductor Type Solid  
Inner Conductor Material and Plating Copper Clad Steel, Silver  
Dielectric Type PTFE  
Number of Shields 1  
Outer Conductor Material and Plating Copper, Tin  
  
Repeated Minimum Bend Radius 0.78 in [19.81 mm]

Click the following link (or enter part number in "SEARCH" on website) to obtain additional part information including price, inventory and certifications: [TNC Female Bulkhead to SMP Female Right Angle Cable 12 Inch Length Using PE-SR405FL Coax PE3W10030-12](#)



TNC Female Bulkhead to SMP Female Right Angle  
Cable 12 Inch Length Using PE-SR405FL Coax

RF Cable Assemblies Technical Data Sheet

PE3W10030-12

**Connectors**

Description	Connector 1	Connector 2
Type	TNC Female Bulkhead	SMP Female Right Angle
Specification		MIL-STD-348A
Impedance	50 Ohms	50 Ohms
Contact Material and Plating	Beryllium Copper, Gold over Nickel	Beryllium Copper, Gold
Contact Plating Specification		MIL-DTL-45204
Dielectric Type	PTFE	PTFE
Outer Conductor Material and Plating		Beryllium Copper, Gold
Outer Conductor Plating Specification		MIL-DTL-45204
Body Material and Plating	Brass, Nickel	Beryllium Copper, Gold
Body Plating Specification		MIL-DTL-45204

**Environmental Specifications**

**Temperature**

Operating Range -55 to +165 deg C

**Compliance Certifications** (see [product page](#) for current document)

**Plotted and Other Data**

Notes:

Click the following link (or enter part number in "SEARCH" on website) to obtain additional part information including price, inventory and certifications: [TNC Female Bulkhead to SMP Female Right Angle Cable 12 Inch Length Using PE-SR405FL Coax PE3W10030-12](#)



## TNC Female Bulkhead to SMP Female Right Angle Cable 12 Inch Length Using PE-SR405FL Coax

### RF Cable Assemblies Technical Data Sheet

PE3W10030-12

#### How to Order

Part Number Configuration:

**PE3W10030**

- **xx**

**uu**

Unit of Measure:  
cm = Centimeters  
<blank> = Inches  
Length  
Base Number

Example: PE3W10030-12 = 12 inches long cable  
PE3W10030-100cm = 100 cm long cable

TNC Female Bulkhead to SMP Female Right Angle Cable 12 Inch Length Using PE-SR405FL Coax from Pasternack Enterprises has same day shipment for domestic and International orders. Our RF, microwave and millimeter wave products maintain a 99.4% availability and are part of the broadest selection in the industry.

Click the following link (or enter part number in "SEARCH" on website) to obtain additional part information including price, inventory and certifications: [TNC Female Bulkhead to SMP Female Right Angle Cable 12 Inch Length Using PE-SR405FL Coax PE3W10030-12](https://www.pasternack.com/tnc-female-smp-female-pe-sr405fl-cable-assembly-pe3w10030-12-p.aspx)

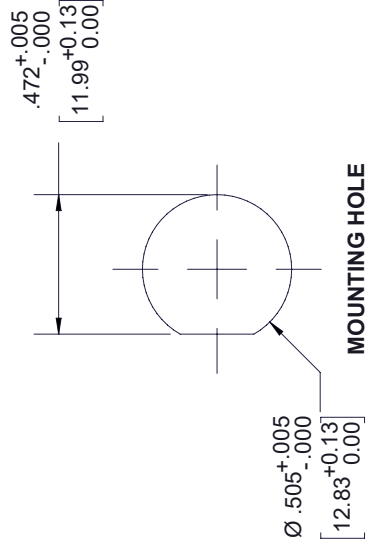
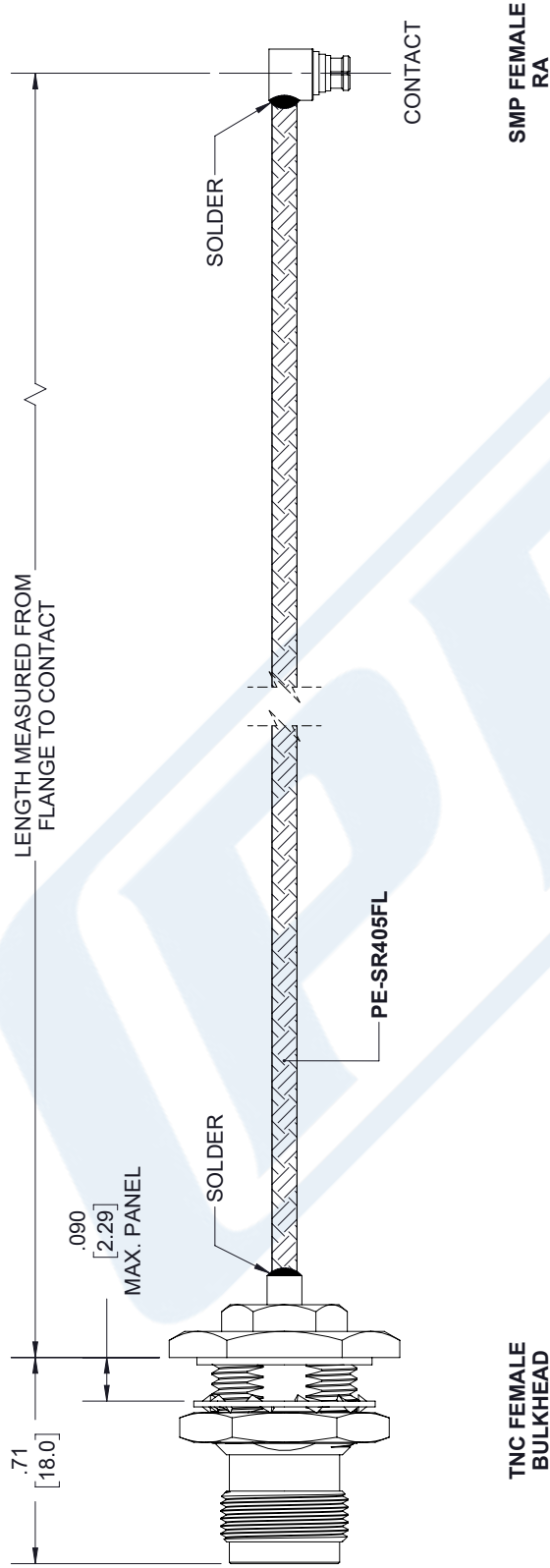
URL: <https://www.pasternack.com/tnc-female-smp-female-pe-sr405fl-cable-assembly-pe3w10030-12-p.aspx>

The information contained in this document is accurate to the best of our knowledge and representative of the part described herein. It may be necessary to make modifications to the part and/or the documentation of the part, in order to implement improvements. Pasternack reserves the right to make such changes as required. Unless otherwise stated, all specifications are nominal. Pasternack does not make any representation or warranty regarding the suitability of the part described herein for any particular purpose, and Pasternack does not assume any liability arising out of the use of any part or documentation.

# PE3W10030-12 CAD Drawing

## TNC Female Bulkhead to SMP Female Right Angle Cable 12 Inch Length Using PE-SR405FL Coax

REVISIONS			
REV.	DESCRIPTION	DATE	APPROVED
A	INITIAL RELEASE	4/14/2021	S. SELLIS



**PE PASTERNAK**  
an INFINITO brand

Pasternack Enterprises, Inc.  
P. O. Box 16759, Irvine, CA 92623.  
Phone: 1.949.261.1920 | 1.866.727.8376  
Fax: 1.949.261.7451  
Website: www.pasternack.com  
E-mail: sales@pasternack.com

THIRD-ANGLE PROJECTION

THE INFORMATION AND DESIGN IN THIS DOCUMENT IS THE PROPERTY OF PASTERNAK CORPORATION. ALL RIGHTS RESERVED.

SHEET 1 OF 1

SCALE N/A

---

UNLESS OTHERWISE SPECIFIED LEADING DIMENSIONS ARE INCHES DIMENSIONS IN [ ] ARE MILLIMETERS

TOLERANCES:

.X = ± .2 [5.08]      FRACTIONS ± 1/32

.XX = ± .02 [ .51]      ANGLES ± 1°

.XXX = ± .005 [ .13]

CABLE LENGTH (L) TOLERANCES:

L ≤ 12 [305] = +1 [25] / -0

12 [305] < L ≤ 60 [1524] = +2 [51] / -0

60 [1524] < L ≤ 120 [3048] = +4 [102] / -0

120 [3048] < L ≤ 300 [7620] = +6 [152] / -0

300 [7620] < L = +5% L / -0

ALL DIMENSIONS SHOWN ARE FOR REFERENCE ONLY.

ITEM NO. PE3W10030

SIZE A

CAGE CODE 53919

DRAWN BY K. DANG

REV A