



BNC Female Bulkhead to SMA Male Low Loss Cable Using LMR-100 Coax

RF Cable Assemblies Technical Data Sheet

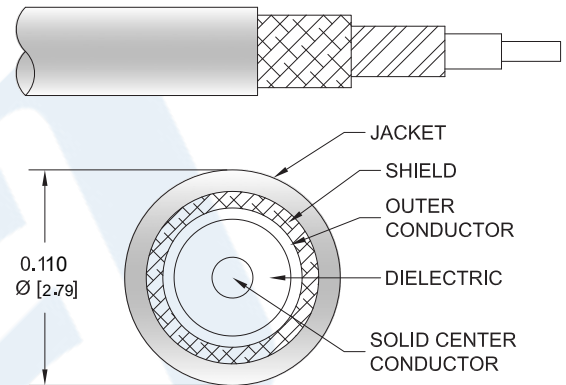
PE3W10668

Configuration

- Connector 1: BNC Female Bulkhead
- Connector 2: SMA Male
- Cable Type: LMR-100A

Features

- Shielding Effectivity > 90 dB
- 66% Phase Velocity
- Double Shielded
- PVC Jacket



Applications

- General Purpose
- Laboratory Use

Description

Pasternack's PE3W10668 BNC female bulkhead to SMA male cable using LMR-100 coax is part of our full line of RF components available for same-day shipping. Pasternack's flexible RF cable assemblies are ideal for applications where tight bends and flexure are required. This Pasternack BNC to SMA cable assembly has a female to male gender configuration with 50 ohm flexible LMR-100A coax. Our RF cable assembly with BNC bulkhead interface allows designers to create external connections on their product enclosures, and can be used in a variety of other rack mount and panel mount applications. The double shielding of this Pasternack cable assembly provides excellent shielding effectiveness of better than 90 dB.

Custom versions of most RF cable assemblies can be built and shipped same day. Custom cable assembly lengths can be obtained by specifying the desired length on the web site at time of order or by contacting a sales representative. Other available RF cable assembly value added services include connector orientation or clocking, heat shrink booting and custom labeling. RF testing can also be performed to document the electrical performance of your cable assembly.

Click the following link (or enter part number in "SEARCH" on website) to obtain additional part information including price, inventory and certifications: [BNC Female Bulkhead to SMA Male Low Loss Cable Using LMR-100 Coax PE3W10668](#)



BNC Female Bulkhead to SMA Male Low Loss Cable Using LMR-100 Coax

RF Cable Assemblies Technical Data Sheet

PE3W10668

Electrical Specifications

Description	Minimum	Typical	Maximum	Units
Velocity of Propagation		66		%
RF Shielding	90			dB
Group Delay		1.54 [5.05]		ns/ft [ns/m]
Capacitance		30.8 [101.05]		pF/ft [pF/m]
Inductance		0.077 [0.25]		uH/ft [uH/m]
DC Resistance Inner Conductor		81 [265.75]		Ω /1000ft [Ω /Km]
DC Resistance Outer Conductor		9.5 [31.17]		Ω /1000ft [Ω /Km]
Operating Voltage (AC)			500	Vrms
Jacket Spark			2,000	Vrms

Mechanical Specifications

Cable Assembly

Weight 0.065 lbs [29.48 g]

Cable

Cable Type LMR-100A
 Impedance 50 Ohms
 Inner Conductor Type Solid
 Inner Conductor Material and Plating Copper Clad Steel
 Dielectric Type PE
 Number of Shields 2
 Shield Layer 1 Aluminum Tape
 Shield Layer 2 Tinned Copper Braid
 Jacket Material PVC, Black
 Jacket Diameter 0.11 in [2.79 mm]

One Time Minimum Bend Radius 0.25 in [6.35 mm]
 Repeated Minimum Bend Radius 1 in [25.4 mm]
 Bending Moment 0.1 lbs-ft [0.14 N-m]
 Flat Plate Crush 10 lbs/in [0.18 Kg/mm]
 Tensile Strength 15 lbs [6.8 Kg]

Click the following link (or enter part number in "SEARCH" on website) to obtain additional part information including price, inventory and certifications: [BNC Female Bulkhead to SMA Male Low Loss Cable Using LMR-100 Coax PE3W10668](#)



BNC Female Bulkhead to SMA Male Low Loss Cable Using LMR-100 Coax

RF Cable Assemblies Technical Data Sheet

PE3W10668

Connectors

Description	Connector 1	Connector 2
Type	BNC Female Bulkhead	SMA Male
Impedance	50 Ohms	50 Ohms
Contact Material and Plating	Brass, Gold	Brass, Gold
Contact Plating Specification	30 µin minimum	
Dielectric Type	PTFE	Teflon
Body Material and Plating	Brass, Nickel	Stainless Steel
Body Plating Specification	100 µin minimum	
Coupling Nut Material and Plating		Stainless Steel

Environmental Specifications

Temperature

Operating Range

-40 to +85 deg C

Compliance Certifications (see [product page](#) for current document)

Plotted and Other Data

Notes:

Click the following link (or enter part number in "SEARCH" on website) to obtain additional part information including price, inventory and certifications: [BNC Female Bulkhead to SMA Male Low Loss Cable Using LMR-100 Coax PE3W10668](#)



BNC Female Bulkhead to SMA Male Low Loss Cable Using LMR-100 Coax

RF Cable Assemblies Technical Data Sheet

PE3W10668

How to Order

Part Number Configuration:

PE3W10668

- **xx**

uu

Unit of Measure:
cm = Centimeters
<blank> = Inches
Length
Base Number

Example: PE3W10668-12 = 12 inches long cable
PE3W10668-100cm = 100 cm long cable

BNC Female Bulkhead to SMA Male Low Loss Cable Using LMR-100 Coax from Pasternack Enterprises has same day shipment for domestic and International orders. Our RF, microwave and millimeter wave products maintain a 99.4% availability and are part of the broadest selection in the industry.

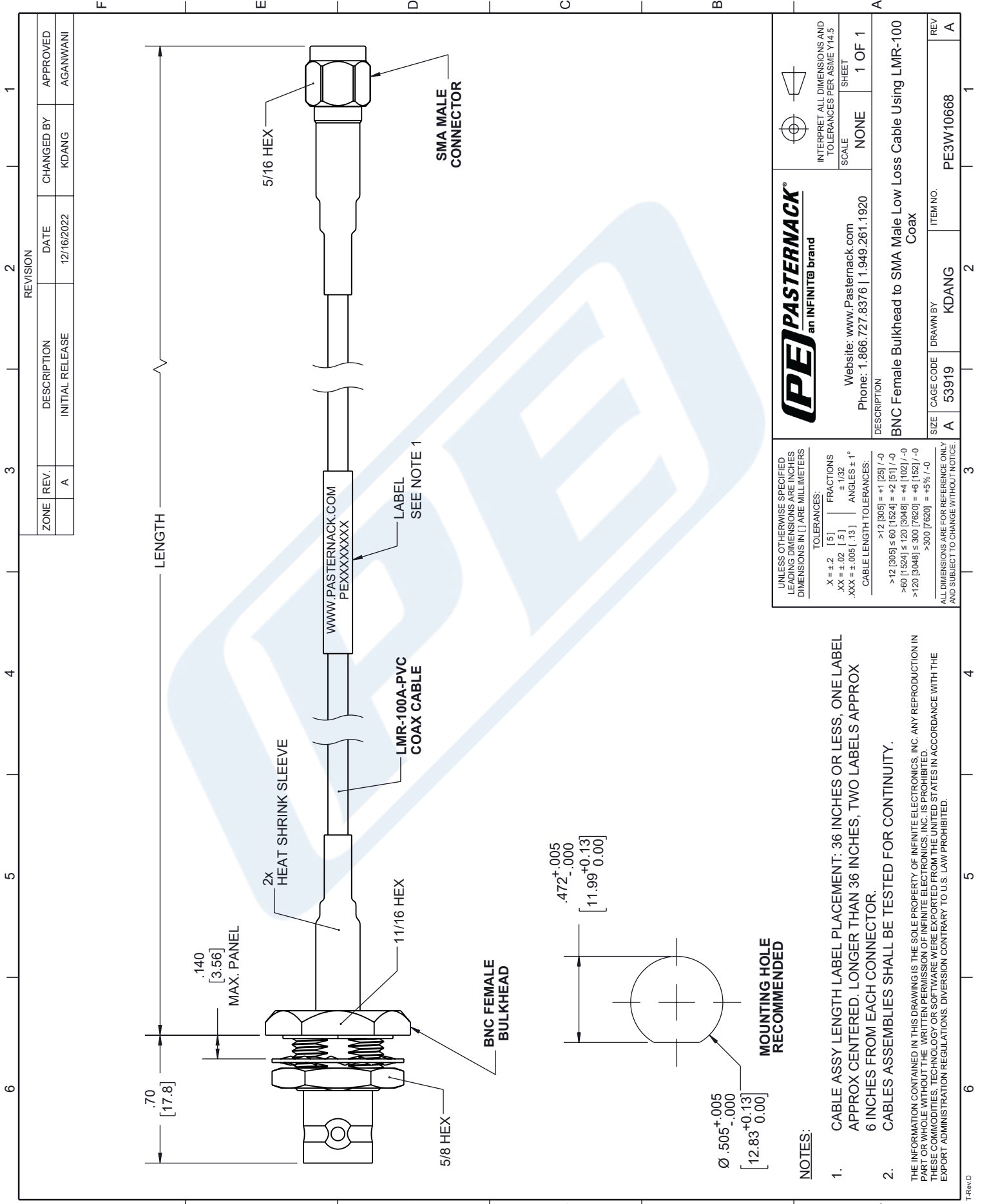
Click the following link (or enter part number in "SEARCH" on website) to obtain additional part information including price, inventory and certifications: [BNC Female Bulkhead to SMA Male Low Loss Cable Using LMR-100 Coax PE3W10668](https://www.pasternack.com/bnc-female-bulkhead-to-sma-male-low-loss-cable-using-lmr-100-pe3w10668-p.aspx)

URL: <https://www.pasternack.com/bnc-female-bulkhead-to-sma-male-low-loss-cable-using-lmr-100-pe3w10668-p.aspx>

The information contained in this document is accurate to the best of our knowledge and representative of the part described herein. It may be necessary to make modifications to the part and/or the documentation of the part, in order to implement improvements. Pasternack reserves the right to make such changes as required. Unless otherwise stated, all specifications are nominal. Pasternack does not make any representation or warranty regarding the suitability of the part described herein for any particular purpose, and Pasternack does not assume any liability arising out of the use of any part or documentation.

PE3W10668 CAD Drawing

BNC Female Bulkhead to SMA Male Low Loss Cable Using LMR-100 Coax



ZONE		REVISION		CHANGED BY		APPROVED	
A	REV. A	INITIAL RELEASE	DATE	KDANG	AGANWANI		
			12/16/2022				

LENGTH

	INTERPRET ALL DIMENSIONS AND TOLERANCES PER ASME Y14.5	
	SCALE	SHEET
Website: www.Pasternack.com Phone: 1.866.727.8376 1.949.261.1920	NONE	1 OF 1
DESCRIPTION BNC Female Bulkhead to SMA Male Low Loss Cable Using LMR-100 Coax		
SIZE	DRAWN BY	ITEM NO.
A	KDANG	PE3W10668

UNLESS OTHERWISE SPECIFIED LEADING DIMENSIONS ARE INCHES DIMENSIONS IN [] ARE MILLIMETERS

TOLERANCES:

X = ±.2	[.5]	FRACTIONS	± 1/32
.XX = ±.02	[.5]	ANGLES ± 1°	
.XXX = ±.005	[.13]	CABLE LENGTH TOLERANCES:	

>12 [305] = +1 [25] / -0
 >60 [1524] = -2 [51] / -0
 >120 [3048] = +4 [102] / -0
 >300 [7620] = +5% / -0

ALL DIMENSIONS ARE FOR REFERENCE ONLY AND SUBJECT TO CHANGE WITHOUT NOTICE

- NOTES:**
- CABLE ASSY LENGTH LABEL PLACEMENT: 36 INCHES OR LESS, ONE LABEL APPROX CENTERED; LONGER THAN 36 INCHES, TWO LABELS APPROX 6 INCHES FROM EACH CONNECTOR.
 - CABLES ASSEMBLIES SHALL BE TESTED FOR CONTINUITY.
- THE INFORMATION CONTAINED IN THIS DRAWING IS THE SOLE PROPERTY OF INFINITE ELECTRONICS, INC. ANY REPRODUCTION IN PART OR WHOLE WITHOUT THE WRITTEN PERMISSION OF INFINITE ELECTRONICS, INC. IS PROHIBITED. THESE COMMODITIES, TECHNOLOGY OR SOFTWARE WERE EXPORTED FROM THE UNITED STATES IN ACCORDANCE WITH THE EXPORT ADMINISTRATION REGULATIONS. DIVERSION CONTRARY TO U.S. LAW PROHIBITED.