

## Fire Rated N Male to N Male Low PIM Cable 60 Inch Length Using SPF-500 Coax With Times Microwave Components



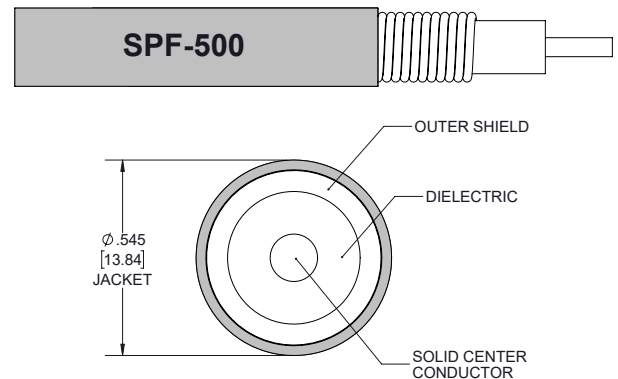
### PE3W11037-60

#### Configuration

- Connector 1: N Male
- Connector 2: N Male
- Cable Type: SPF-500
- Coax Flex Type: Corrugated

#### Features

- Max Frequency 6 GHz
- Low PIM: -158 dBc Max
- 83% Phase Velocity
- FRPE Jacket
- 500 Mating Cycles



#### Applications

- General Purpose
- Laboratory Use
- Low PIM Applications

#### Description

Pasternack's PE3W11037-60 type N male to type N male 60 inch cable using SPF-500 coax is part of our full line of RF components available for same-day shipping. Pasternack's corrugated RF cable assemblies are ideal for applications where durability and high power are needed. This Pasternack type N to type N cable assembly has a male to male gender configuration with 50 ohm corrugated SPF-500 coax. The PE3W11037-60 type N male to type N male cable assembly operates to 6 GHz. Our low PIM design also offers excellent passive intermodulation performance with PIM levels better than -158 dBc.

Custom versions of most RF cable assemblies can be built and shipped same day. Custom cable assembly lengths can be obtained by specifying the desired length on the web site at time of order or by contacting a sales representative. Other available RF cable assembly value added services include connector orientation or clocking, heat shrink booting and custom labeling. RF testing can also be performed to document the electrical performance of your cable assembly.

#### Electrical Specifications

Description	Minimum	Typical	Maximum	Units
Frequency Range	DC		6	GHz
VSWR			1.4:1	
Velocity of Propagation		83		%
Passive Intermodulation IM3 (2x43dBm Tones) at 850 MHz or 1900 MHz			-158	dBc
Capacitance		24 [78.74]		pF/ft [pF/m]

#### Specifications by Frequency

Description	F1	F2	F3	F4	F5	Units
Frequency	0.25	0.5	1	2.5	6	GHz

Fire Rated N Male to N Male Low PIM Cable 60 Inch Length  
Using SPF-500 Coax With Times Microwave Components



**PE3W11037-60**

**Specifications by Frequency**

Description	F1	F2	F3	F4	F5	Units
Insertion Loss (Typ.)	0.58	0.61	0.67	0.77	0.97	dB

Electrical Specification Notes:

The Insertion Loss data above is based on the performance specifications of the coax and connectors used in this assembly. The Insertion Loss includes an estimated insertion loss of 0.1\*SQRT(FGHz) per connector.

**Mechanical Specifications**

**Cable Assembly**

Length	60 in [152.4 cm]
Width/Diameter	.5 in [12.7 mm]
Weight	0.803 lbs [364.23 g]

**Cable**

Cable Type	SPF-500
Impedance	50 Ohms
Inner Conductor Type	Solid
Inner Conductor Material and Plating	Copper Clad Aluminum
Dielectric Type	Foam PE
Number of Shields	1
Outer Conductor 1 Material and Plating	Copper
Jacket Material	FRPE, Black
Jacket Diameter	0.545 in [13.84 mm]
One Time Minimum Bend Radius	2.25 in [57.15 mm]

**Connectors**

Description	Connector 1	Connector 2
Type	N Male	N Male
Impedance	50 Ohms	50 Ohms
Configuration	Straight	Straight
Mating Cycles	500	500
Contact Material and Plating	Brass, Silver	Brass, Silver
Contact Plating Specification	200 µin	200 µin
Dielectric Type	PTFE	PTFE
Body Material and Plating	Brass, Tri-Metal	Brass, Tri-Metal
Body Plating Specification	80 µin	80 µin
Coupling Nut Material and Plating	Brass, Tri-Metal	Brass, Tri-Metal
Coupling Nut Plating Specification	80 µin	80 µin
Torque	6 in-lbs 0.68 Nm	6 in-lbs 0.68 Nm

## Fire Rated N Male to N Male Low PIM Cable 60 Inch Length Using SPF-500 Coax With Times Microwave Components



### PE3W11037-60

#### Environmental Specifications

Operating Range Temperature -40 to +85 deg C

**Compliance Certifications** (see [product page](#) for current document)

#### Plotted and Other Data

Notes:

#### Typical Performance Data

#### How to Order

Part Number Configuration: **PE3W11037 - xx uu**

PE3W11037: Base Number  
 - xx: Length  
 uu: Unit of Measure:  
     cm = Centimeters  
     <blank> = Inches

Example: PE3W11037-12 = 12 inches long cable  
 PE3W11037-100cm = 100 cm long cable

Fire Rated N Male to N Male Low PIM Cable 60 Inch Length Using SPF-500 Coax With Times Microwave Components from Pasternack Enterprises has same day shipment for domestic and International orders. Our RF, microwave and millimeter wave products maintain a 99.4% availability and are part of the broadest selection in the industry.

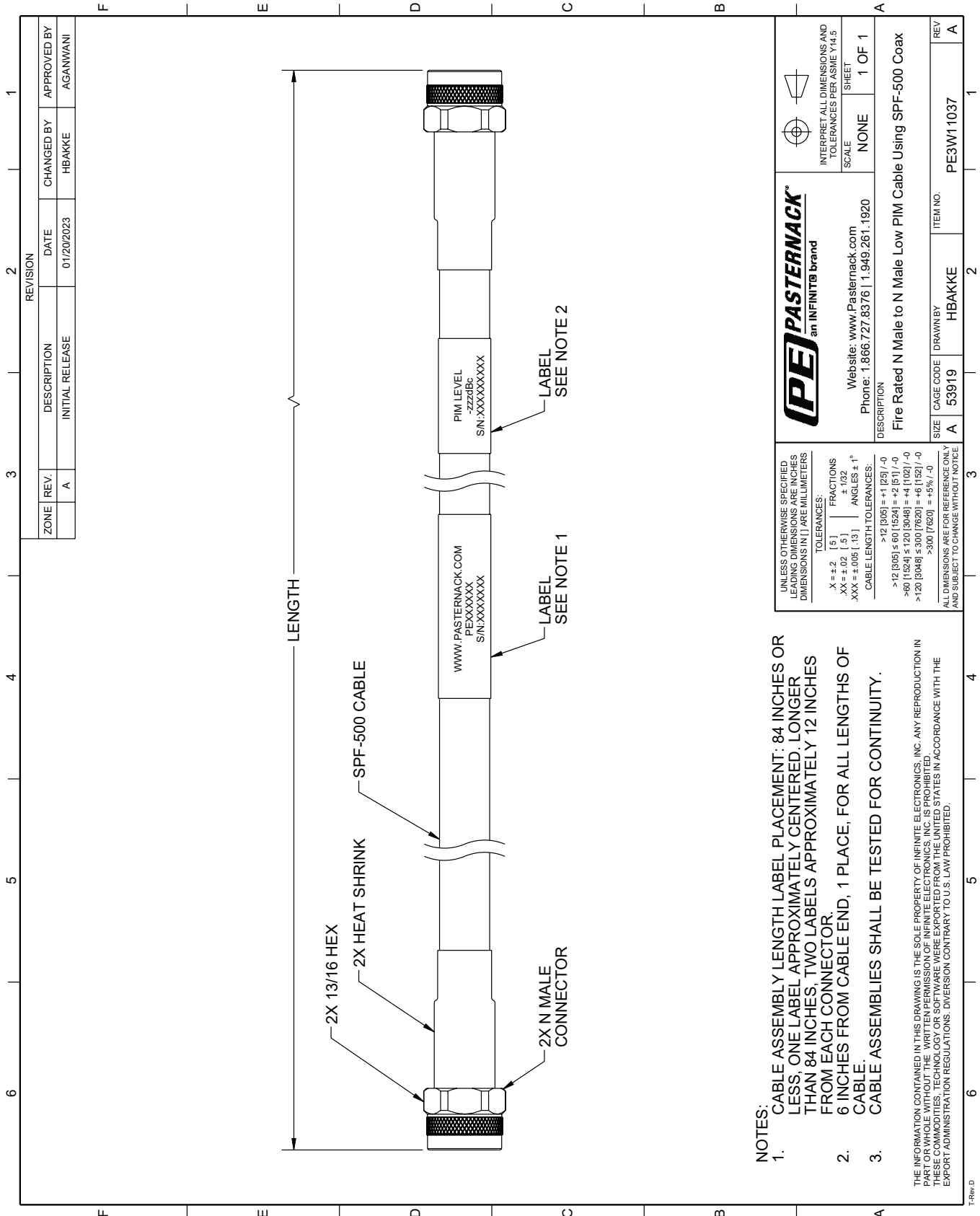
Click the following link (or enter part number in "SEARCH" on website) to obtain additional part information including price, inventory and certifications: [Fire Rated N Male to N Male Low PIM Cable 60 Inch Length Using SPF-500 Coax With Times Microwave Components PE3W11037-60](#)

URL: <https://www.pasternack.com/fire-rated-n-male-to-n-male-low-pim-cable-60-inch-length-using-spf-500-pe3w11037-60-p.aspx>

The information contained within this document is accurate to the best of our knowledge and representative of the part described herein. It may be necessary to make modifications to the part and/or the documentation of the part in order to implement improvements. Pasternack Enterprises reserves the right to make such changes as required. Unless otherwise stated, all specifications are nominal. Pasternack Enterprises does not make any representation or warranty regarding the suitability of the part described herein for any particular purpose, and Pasternack Enterprises does not assume liability arising out of the use of any part or document.

# PE3W11037-60 CAD Drawing

Fire Rated N Male to N Male Low PIM Cable 60 Inch Length Using SPF-500 Coax With Times Microwave Components



- NOTES:**
- CABLE ASSEMBLY LENGTH LABEL PLACEMENT: 84 INCHES OR LESS; ONE LABEL APPROXIMATELY CENTERED. LONGER THAN 84 INCHES, TWO LABELS APPROXIMATELY 12 INCHES FROM EACH CONNECTOR.
  - 6 INCHES FROM CABLE END, 1 PLACE, FOR ALL LENGTHS OF CABLE.
  - CABLE ASSEMBLIES SHALL BE TESTED FOR CONTINUITY.

THE INFORMATION CONTAINED IN THIS DRAWING IS THE SOLE PROPERTY OF INFINITE ELECTRONICS, INC. ANY REPRODUCTION IN PART OR WHOLE WITHOUT THE WRITTEN PERMISSION OF INFINITE ELECTRONICS, INC. IS PROHIBITED. THESE COMMODITIES, TECHNOLOGY OR SOFTWARE WERE EXPORTED FROM THE UNITED STATES IN ACCORDANCE WITH THE EXPORT ADMINISTRATION REGULATIONS. DIVERSION CONTRARY TO U.S. LAW PROHIBITED.

UNLESS OTHERWISE SPECIFIED LEADING DIMENSIONS ARE INCHES DIMENSIONS IN [ ] ARE MILLIMETERS		 <b>PASTERNAK</b> <sup>®</sup> an INFINITE <sup>®</sup> brand		INTERPRET ALL DIMENSIONS AND TOLERANCES PER ASME Y14.5 SCALE NONE SHEET 1 OF 1	
TOLERANCES: X = ±.2 [ .5 ] FRACTIONS ± 1/32 XX = ±.02 [ .5 ] ANGLES ± 1° XXX = ±.005 [ .13 ] CABLE LENGTH TOLERANCES: >12 [3048] ±.1 [254] / -0 >12 [3048] <120 [3048] ±.2 [51] / -0 >120 [3048] <300 [7620] ±.4 [102] / -0 >300 [7620] ±.5 [127] / -0		Website: <a href="http://www.Pasternack.com">www.Pasternack.com</a> Phone: 1.866.727.8376   1.949.261.1920		DESCRIPTION <b>Fire Rated N Male to N Male Low PIM Cable Using SPF-500 Coax</b>	
ALL DIMENSIONS ARE FOR REFERENCE ONLY AND SUBJECT TO CHANGE WITHOUT NOTICE		SIZE A	CAGE CODE 53919	DRAWN BY HBAKKE	ITEM NO. PE3W11037
ZONE REV. A		DESCRIPTION INITIAL RELEASE		CHANGED BY HBAKKE	
DATE 01/20/2023		APPROVED BY AGANWANI		REVISION 2	