



BNC Male to SMA Female Bulkhead Cable Using RG178 Coax

RF Cable Assemblies Technical Data Sheet

PE3W12581

Configuration

- Connector 1: BNC Male
- Connector 2: SMA Female Bulkhead
- Cable Type: RG178

Features

- 70% Phase Velocity
- FEP Jacket

Applications

- General Purpose
- Laboratory Use

Description

Pasternack's PE3W12581 BNC male to SMA female bulkhead cable using RG178 coax is part of our full line of RF components available for same-day shipping. Pasternack's flexible RF cable assemblies are ideal for applications where tight bends and flexure are required. This Pasternack BNC to SMA cable assembly has a male to female gender configuration with 50 ohm flexible RG178 coax. Our RF cable assembly with SMA bulkhead interface allows designers to create external connections on their product enclosures, and can be used in a variety of other rack mount and panel mount applications.

Custom versions of most RF cable assemblies can be built and shipped same day. Custom cable assembly lengths can be obtained by specifying the desired length on the web site at time of order or by contacting a sales representative. Other available RF cable assembly value added services include connector orientation or clocking, heat shrink booting and custom labeling. RF testing can also be performed to document the electrical performance of your cable assembly.

Electrical Specifications

Description	Minimum	Typical	Maximum	Units
Velocity of Propagation		70		%
Capacitance		29.4 [96.46]		pF/ft [pF/m]

Mechanical Specifications

Cable Assembly

Weight 0.058 lbs [26.31 g]

Cable

Cable Type RG178
 Impedance 50 Ohms
 Inner Conductor Type Stranded
 Inner Conductor Material and Plating Copper Clad Steel, Silver
 Dielectric Type PTFE
 Number of Shields 1

Click the following link (or enter part number in "SEARCH" on website) to obtain additional part information including price, inventory and certifications: [BNC Male to SMA Female Bulkhead Cable Using RG178 Coax PE3W12581](#)



BNC Male to SMA Female Bulkhead Cable Using RG178 Coax

RF Cable Assemblies Technical Data Sheet

PE3W12581

Shield Layer 1	Silver Plated Copper Braid
Jacket Material	FEP, Tan
Jacket Diameter	0.072 in [1.83 mm]
Repeated Minimum Bend Radius	0.4 in [10.16 mm]

Connectors

Description	Connector 1	Connector 2
Type	BNC Male	SMA Female Bulkhead
Specification	MIL-STD-348A	MIL-STD-348
Impedance	50 Ohms	50 Ohms
Contact Material and Plating	Brass, Gold	Gold
Contact Plating Specification	30 µin minimum	MIL-G-45204
Dielectric Type	PTFE	PTFE
Body Material and Plating	Brass, Nickel	Brass, Nickel
Body Plating Specification	100 µin minimum	QQ-N-290
Coupling Nut Material and Plating	Brass, Nickel	
Coupling Nut Plating Specification	100 µin minimum	

Compliance Certifications (see [product page](#) for current document)

Plotted and Other Data

Notes:

Click the following link (or enter part number in "SEARCH" on website) to obtain additional part information including price, inventory and certifications: [BNC Male to SMA Female Bulkhead Cable Using RG178 Coax PE3W12581](#)



BNC Male to SMA Female Bulkhead Cable Using RG178 Coax

RF Cable Assemblies Technical Data Sheet

PE3W12581

How to Order

Part Number Configuration:

PE3W12581

- **xx**

uu

Unit of Measure:

cm = Centimeters

<blank> = Inches

Length

Base Number

Example: PE3W12581-12 = 12 inches long cable
PE3W12581-100cm = 100 cm long cable

BNC Male to SMA Female Bulkhead Cable Using RG178 Coax from Pasternack Enterprises has same day shipment for domestic and International orders. Our RF, microwave and millimeter wave products maintain a 99.4% availability and are part of the broadest selection in the industry.

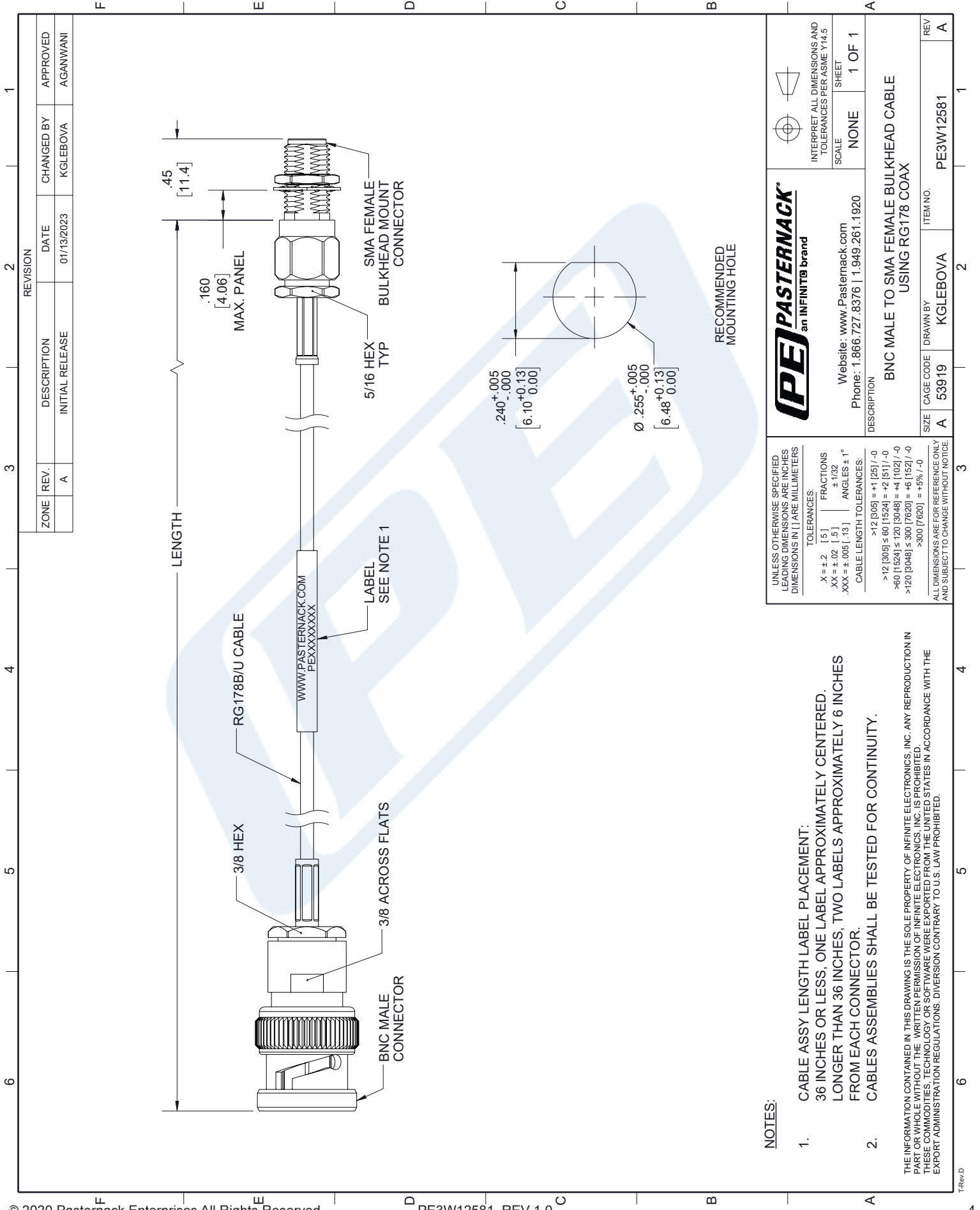
Click the following link (or enter part number in "SEARCH" on website) to obtain additional part information including price, inventory and certifications: [BNC Male to SMA Female Bulkhead Cable Using RG178 Coax PE3W12581](#)

URL: <https://www.pasternack.com/bnc-male-to-sma-female-bulkhead-cable-using-rg178-pe3w12581-p.aspx>

The information contained in this document is accurate to the best of our knowledge and representative of the part described herein. It may be necessary to make modifications to the part and/or the documentation of the part, in order to implement improvements. Pasternack reserves the right to make such changes as required. Unless otherwise stated, all specifications are nominal. Pasternack does not make any representation or warranty regarding the suitability of the part described herein for any particular purpose, and Pasternack does not assume any liability arising out of the use of any part or documentation.

PE3W12581 CAD Drawing

BNC Male to SMA Female Bulkhead Cable Using RG178 Coax



NOTES:

- CABLE ASSY LENGTH LABEL PLACEMENT:
36 INCHES OR LESS, ONE LABEL APPROXIMATELY CENTERED.
LONGER THAN 36 INCHES, TWO LABELS APPROXIMATELY 6 INCHES FROM EACH CONNECTOR.
- CABLES ASSEMBLIES SHALL BE TESTED FOR CONTINUITY.

THE INFORMATION CONTAINED IN THIS DRAWING IS THE SOLE PROPERTY OF INFINITE ELECTRONICS, INC. ANY REPRODUCTION IN PART OR WHOLE WITHOUT THE WRITTEN PERMISSION OF INFINITE ELECTRONICS, INC. IS PROHIBITED. THESE COMMODITIES, TECHNOLOGY OR SOFTWARE WERE EXPORTED FROM THE UNITED STATES IN ACCORDANCE WITH THE EXPORT ADMINISTRATION REGULATIONS. DIVERSION CONTRARY TO U.S. LAW PROHIBITED.

UNLESS OTHERWISE SPECIFIED LEADING DIMENSIONS ARE INCHES DIMENSIONS IN [] ARE MILLIMETERS	
TOLERANCES:	FRACTIONS
X = ± .2 [.5]	± 1/32
.XX = ± .02 [.5]	ANGLES ± 1°
.XXX = ± .005 [.13]	CABLE LENGTH TOLERANCES:
	>12 [305] = ± .1 [25] / -0
	>60 [1524] ≤ 60 [1524] = ± .2 [51] / -0
	>120 [3048] ≤ 120 [3048] = ± .4 [102] / -0
	>300 [7620] ≤ 300 [7620] = ± .8 [152] / -0
	>300 [7620] = ± 5% / -0
ALL DIMENSIONS ARE FOR REFERENCE ONLY AND SUBJECT TO CHANGE WITHOUT NOTICE	

PE PASTERNAK
an INFINITIB brand

Website: www.Pasternack.com
Phone: 1.866.727.8376 | 1.949.261.1920

INTERPRET ALL DIMENSIONS AND TOLERANCES PER ASME Y14.5

SCALE: NONE

SHEET: 1 OF 1

DESCRIPTION	
BNC MALE TO SMA FEMALE BULKHEAD CABLE USING RG178 COAX	
SIZE	ITEM NO.
A 53919	PE3W12581
DRAWN BY	REV
KGLEBOVA	A