

Reverse Polarity SMA Male Right Angle to Reverse Polarity SMA Female Bulkhead Cable Using RG58 Coax



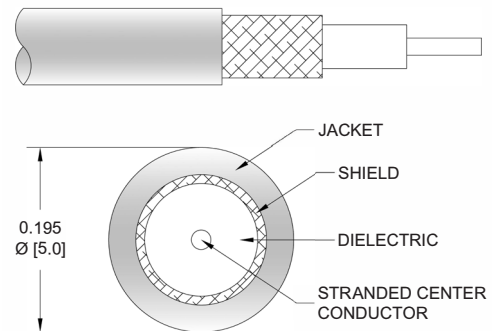
PE3W12773

Configuration

- Connector 1: SMA Male Reverse Polarity Right Angle
- Connector 2: SMA Female Reverse Polarity Bulkhead
- Cable Type: RG58
- Coax Flex Type: Flexible

Features

- 65.9% Phase Velocity
- PVC (NC) Jacket



Applications

- General Purpose
- Laboratory Use

Description

Pasternack's PE3W12773 reverse polarity SMA male right angle to reverse polarity SMA female bulkhead cable using RG58 coax is part of our full line of RF components available for same-day shipping. Pasternack's flexible RF cable assemblies are ideal for applications where tight bends and flexure are required. This Pasternack reverse polarity SMA to reverse polarity SMA cable assembly has a male to female gender configuration with 50 ohm flexible RG58 coax. The right angle SMA interface on the RG58 cable allows for easier connections in tight spaces. Our RF cable assembly with SMA bulkhead interface allows designers to create external connections on their product enclosures, and can be used in a variety of other rack mount and panel mount applications.

Custom versions of most RF cable assemblies can be built and shipped same day. Custom cable assembly lengths can be obtained by specifying the desired length on the web site at time of order or by contacting a sales representative. Other available RF cable assembly value added services include connector orientation or clocking, heat shrink booting and custom labeling. RF testing can also be performed to document the electrical performance of your cable assembly.

Electrical Specifications

Description	Minimum	Typical	Maximum	Units
Velocity of Propagation		65.9		%
Capacitance		30.8 [101.05]		pF/ft [pF/m]

Mechanical Specifications

Cable Assembly

Width/Diameter	0.5 in [12.7 mm]
Weight	0.048 lbs [21.77 g]

Cable

Cable Type	RG58
Impedance	50 Ohms
Inner Conductor Type	Stranded

Reverse Polarity SMA Male Right Angle to Reverse Polarity SMA Female Bulkhead Cable Using RG58 Coax



PE3W12773

Inner Conductor Material and Plating	Copper, Tin
Dielectric Type	PE
Number of Shields	1
Shield Layer 1	Tinned Copper Braid
Jacket Material	PVC (NC), Black
Jacket Diameter	0.195 in [4.95 mm]
One Time Minimum Bend Radius	0.98 in [24.89 mm]
Repeated Minimum Bend Radius	1.96 in [49.78 mm]

Connectors

Description	Connector 1	Connector 2
Type	SMA Male Reverse Polarity Right Angle	SMA Female Reverse Polarity Bulkhead
Specification		MIL-STD-348
Impedance	50 Ohms	50 Ohms
Configuration	Right Angle	Straight
Contact Material and Plating	Beryllium Copper, Gold	Gold
Contact Plating Specification		MIL-G-45204
Dielectric Type	PTFE	PTFE
Body Material and Plating	Brass, Nickel	Brass, Nickel
Body Plating Specification		QQ-N-290
Coupling Nut Material and Plating	Brass, Nickel	
Hex Size	16-May in	
Torque	5 in-lbs 0.57 Nm	

Environmental Specifications

Compliance Certifications (see [product page](#) for current document)

Plotted and Other Data

Notes:

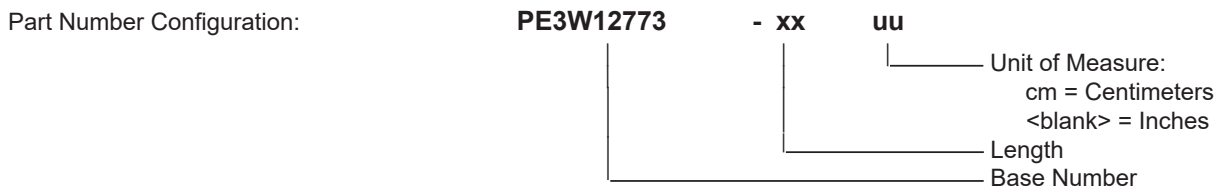
Reverse Polarity SMA Male Right Angle to Reverse Polarity SMA Female Bulkhead Cable Using RG58 Coax



PE3W12773

Typical Performance Data

How to Order



Example: PE3W12773-12 = 12 inches long cable
 PE3W12773-100cm = 100 cm long cable

Reverse Polarity SMA Male Right Angle to Reverse Polarity SMA Female Bulkhead Cable Using RG58 Coax from Pasternack Enterprises has same day shipment for domestic and International orders. Our RF, microwave and millimeter wave products maintain a 99.4% availability and are part of the broadest selection in the industry.

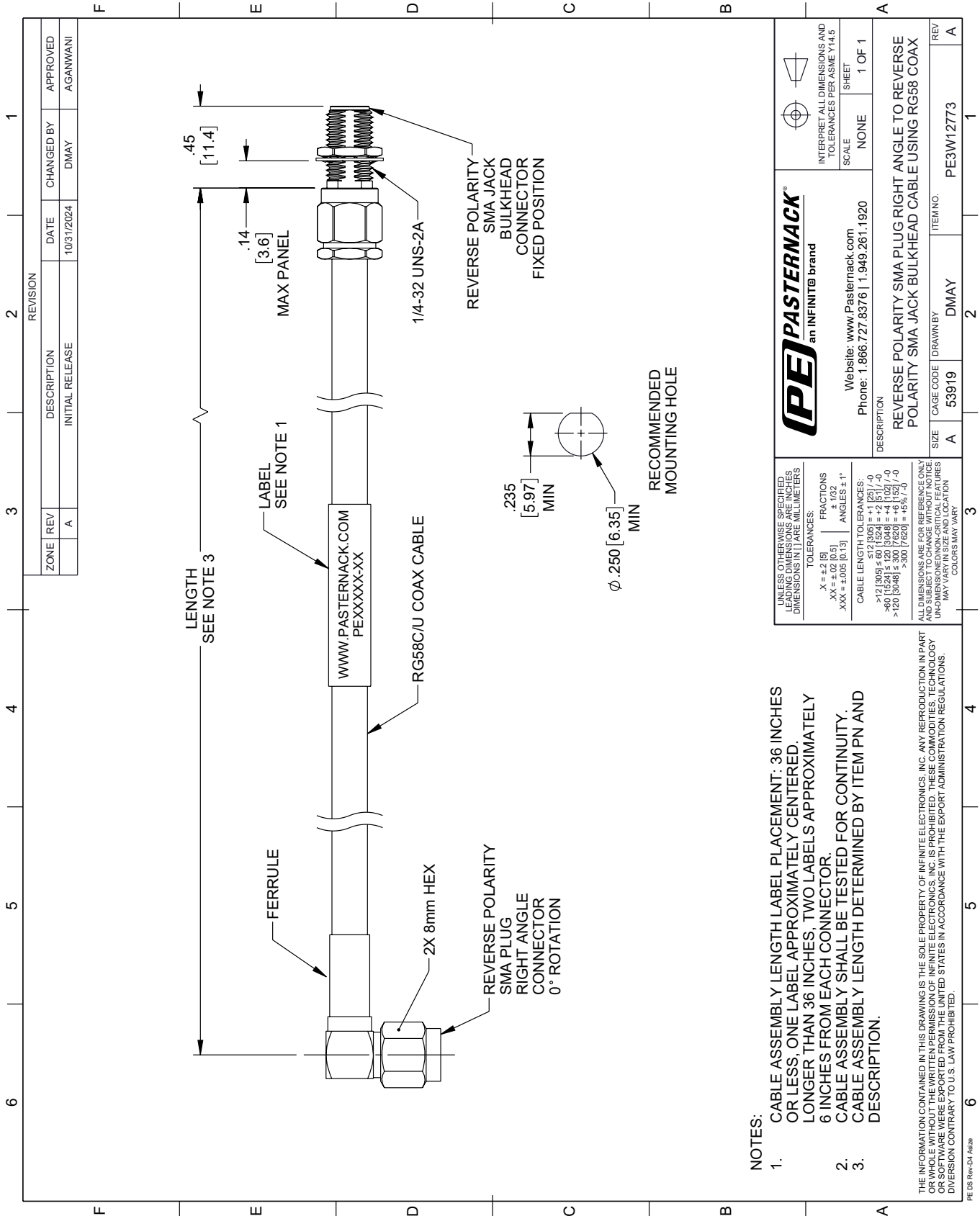
Click the following link (or enter part number in "SEARCH" on website) to obtain additional part information including price, inventory and certifications: [Reverse Polarity SMA Male Right Angle to Reverse Polarity SMA Female Bulkhead Cable Using RG58 Coax PE3W12773](#)

URL: <https://www.pasternack.com/reverse-polarity-sma-male-right-angle-to-reverse-polarity-sma-female-bulkhead-cable-using-rg58-pe3w12773-p.aspx>

The information contained within this document is accurate to the best of our knowledge and representative of the part described herein. It may be necessary to make modifications to the part and/or the documentation of the part in order to impliment improvements. Pasternack Enterprises reserves the right to make such changes as required. Unless otherwise stated, all specifications are nominal. Pasternack Enterprises does not make any representation or warranty regarding the suitability of the part described herein for any particular purpose, and Pasternack Enterprises does not assume liability arising out of the use of any part or document.

PE3W12773 CAD Drawing

Reverse Polarity SMA Male Right Angle to Reverse Polarity SMA Female Bulkhead Cable Using RG58 Coax



NOTES:

1. CABLE ASSEMBLY LENGTH LABEL PLACEMENT: 36 INCHES OR LESS, ONE LABEL APPROXIMATELY CENTERED. LONGER THAN 36 INCHES, TWO LABELS APPROXIMATELY 6 INCHES FROM EACH CONNECTOR.
2. CABLE ASSEMBLY SHALL BE TESTED FOR CONTINUITY.
3. CABLE ASSEMBLY LENGTH DETERMINED BY ITEM PN AND DESCRIPTION.

THE INFORMATION CONTAINED IN THIS DRAWING IS THE SOLE PROPERTY OF INFINITE ELECTRONICS, INC. ANY REPRODUCTION IN PART OR WHOLE WITHOUT THE WRITTEN PERMISSION OF INFINITE ELECTRONICS, INC. IS PROHIBITED. THESE COMMODITIES, TECHNOLOGY OR SERVICES ARE BEING EXPORTED FROM THE UNITED STATES IN ACCORDANCE WITH THE EXPORT ADMINISTRATION REGULATIONS. DIVISION CONTRARY TO U.S. LAW PROHIBITED.

PE DS Rev-D4 Add2

UNLESS OTHERWISE SPECIFIED, LEADING DIMENSIONS ARE IN INCHES. DIMENSIONS IN [] ARE MILLIMETERS.	
TOLERANCES:	FRACTIONS
.X = ±.2 [5]	±.1/32
.XX = ±.02 [0.5]	±.005
.XXX = ±.005 [0.13]	ANGLES ± 1°
CABLE LENGTH TOLERANCES:	
>12 [305] ≤ 60 [1524]	±.1 [2.5] / -0
>60 [1524] ≤ 120 [3048]	±.4 [102] / -0
>120 [3048] ≤ 300 [7620]	±.8 [20] / -0
ALL DIMENSIONS ARE FOR REFERENCE ONLY. UNDIMENSIONED NON-CRITICAL FEATURES MAY VARY IN SIZE AND LOCATION. COLORS MAY VARY.	

PE PASTERNAK an INFINITE brand		INTERPRET ALL DIMENSIONS AND TOLERANCES PER ASME Y14.5	
Website: www.Pasternack.com		SCALE	NONE
Phone: 1.866.727.8376 1.949.261.1920		SHEET	1 OF 1
DESCRIPTION			
REVERSE POLARITY SMA PLUG RIGHT ANGLE TO REVERSE POLARITY SMA JACK BULKHEAD CABLE USING RG58 COAX			
SIZE	CAGE CODE	DRAWN BY	ITEM NO.
A	53919	DMAY	PE3W12773
REV	REV		A