

## N Male Right Angle to TNC Male Right Angle Low Loss Cable Using LMR-240-UF Coax with HeatShrink



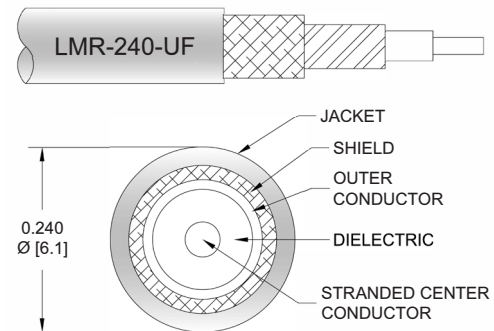
### PE3W16867/HS

#### Configuration

- Connector 1: N Male Right Angle
- Connector 2: TNC Male Right Angle
- Cable Type: LMR-240-UF
- Coax Flex Type: Flexible

#### Features

- Max Frequency 6 GHz
- Shielding Effectivity > 90 dB
- 84% Phase Velocity
- Double Shielded
- TPE Jacket



#### Applications

- General Purpose
- Laboratory Use

#### Description

Pasternack's PE3W16867/HS type N male right angle to TNC male right angle cable using LMR-240-UF coax is part of our full line of RF components available for same-day shipping. Pasternack's flexible RF cable assemblies are ideal for applications where tight bends and flexure are required. This Pasternack type N to TNC cable assembly has a male to male gender configuration with 50 ohm flexible LMR-240-UF coax. The PE3W16867/HS type N male to TNC male cable assembly operates to 6 GHz. The right angle type N and right angle TNC interfaces on the LMR-240-UF cable allow for easier connections in tight spaces. The double shielding of this Pasternack cable assembly provides excellent shielding effectiveness of better than 90 dB.

Custom versions of most RF cable assemblies can be built and shipped same day. Custom cable assembly lengths can be obtained by specifying the desired length on the web site at time of order or by contacting a sales representative. Other available RF cable assembly value added services include connector orientation or clocking, heat shrink booting and custom labeling. RF testing can also be performed to document the electrical performance of your cable assembly.

#### Electrical Specifications

Description	Minimum	Typical	Maximum	Units
Frequency Range	DC		6	GHz
VSWR			1.4:1	
Velocity of Propagation		84		%
RF Shielding	90			dB
Group Delay		1.21 [3.97]		ns/ft [ns/m]
Capacitance		24.2 [79.4]		pF/ft [pF/m]
Inductance		0.06 [0.2]		uH/ft [uH/m]
DC Resistance Inner Conductor		4.28 [14.04]		Ohms/1000ft [Ohms/Km]
DC Resistance Outer Conductor		3.89 [12.76]		Ohms/1000ft [Ohms/Km]

## N Male Right Angle to TNC Male Right Angle Low Loss Cable Using LMR-240-UF Coax with HeatShrink



### PE3W16867/HS

#### Electrical Specifications

Description	Minimum	Typical	Maximum	Units
Jacket Spark			5,000	Vrms

#### Specifications by Frequency

Part Number	Length	Description	F1	F2	F3	F4	F5	Units	Weight (lbs)
			Frequency					MHz	
PE3W16867/HS	Custom Lengths Available	Insertion Loss (Typ.)	0.046	0.066	0.095	0.155	0.212	dB/ft	
			0.16	0.22	0.32	0.51	0.7	dB/m	
PE3W16867/HS-12	12 inch	Insertion Loss (Typ.)	0.49	0.51	0.54	0.6	0.66	dB	0.184
PE3W16867/HS-24	24 inch	Insertion Loss (Typ.)	0.54	0.58	0.63	0.75	0.87	dB	0.217
PE3W16867/HS-36	36 inch	Insertion Loss (Typ.)	0.58	0.64	0.73	0.91	1.08	dB	0.249
PE3W16867/HS-60	60 inch	Insertion Loss (Typ.)	0.67	0.77	0.92	1.22	1.5	dB	0.313
PE3W16867/HS-300	300 inch	Insertion Loss (Typ.)	1.59	2.09	2.82	4.32	5.74	dB	0.953

The insertion loss data for the base model does not include loss due to the connectors. Each length includes insertion loss due to the connectors.

Loss due to Connector 1:	0.24 dB
Loss due to Connector 2:	0.2 dB
Base Weight:	0.184 pounds
Additional Weight per Inch:	0.00267 pounds

#### Mechanical Specifications

##### Cable Assembly

Width/Diameter	0.5 in [12.7 mm]
Weight	0.152 lbs [68.95 g]

##### Cable

Cable Type	LMR-240-UF
Impedance	50 Ohms
Inner Conductor Type	Stranded
Inner Conductor Material and Plating	Copper
Dielectric Type	PE (F)
Number of Shields	2
Shield Layer 1	Aluminum Tape
Shield Layer 2	Tinned Copper Braid
Jacket Material	TPE, Black
Jacket Diameter	0.24 in [6.1 mm]
One Time Minimum Bend Radius	0.75 in [19.05 mm]
Repeated Minimum Bend Radius	2.5 in [63.5 mm]
Bending Moment	0.13 lbs-ft [0.18 N-m]
Flat Plate Crush	13 lbs/in [0.23 Kg/mm]
Tensile Strength	80 lbs [36.29 Kg]

N Male Right Angle to TNC Male Right Angle Low Loss Cable Using LMR-240-UF Coax with HeatShrink



**PE3W16867/HS**

**Connectors**

Description	Connector 1	Connector 2
Type	N Male Right Angle	TNC Male Right Angle
Impedance	50 Ohms	50 Ohms
Configuration	Right Angle	Right Angle
Mating Cycles	500	
Contact Material and Plating	Beryllium Bronze, Gold	Brass, Gold
Contact Plating Specification	50 µin minimum	
Dielectric Type	PTFE	PTFE
Body Material and Plating	Brass, Tri-Metal	Brass, Nickel
Body Plating Specification	80 µin minimum	
Coupling Nut Material and Plating	Brass, Tri-Metal	Brass, Nickel
Coupling Nut Plating Specification	80 µin minimum	

**Environmental Specifications**

Operating Range Temperature -40 to +85 deg C

**Compliance Certifications** (see [product page](#) for current document)

**Plotted and Other Data**

Notes:

## N Male Right Angle to TNC Male Right Angle Low Loss Cable Using LMR-240-UF Coax with HeatShrink



### PE3W16867/HS

#### Typical Performance Data

#### How to Order

Part Number Configuration:

**PE3W16867/HS**

- **xx**

**uu**

Unit of Measure:

cm = Centimeters

<blank> = Inches

Length

Base Number

Example: PE3W16867/HS-12 = 12 inches long cable  
PE3W16867/HS-100cm = 100 cm long cable

N Male Right Angle to TNC Male Right Angle Low Loss Cable Using LMR-240-UF Coax with HeatShrink from Pasternack Enterprises has same day shipment for domestic and International orders. Our RF, microwave and millimeter wave products maintain a 99.4% availability and are part of the broadest selection in the industry.

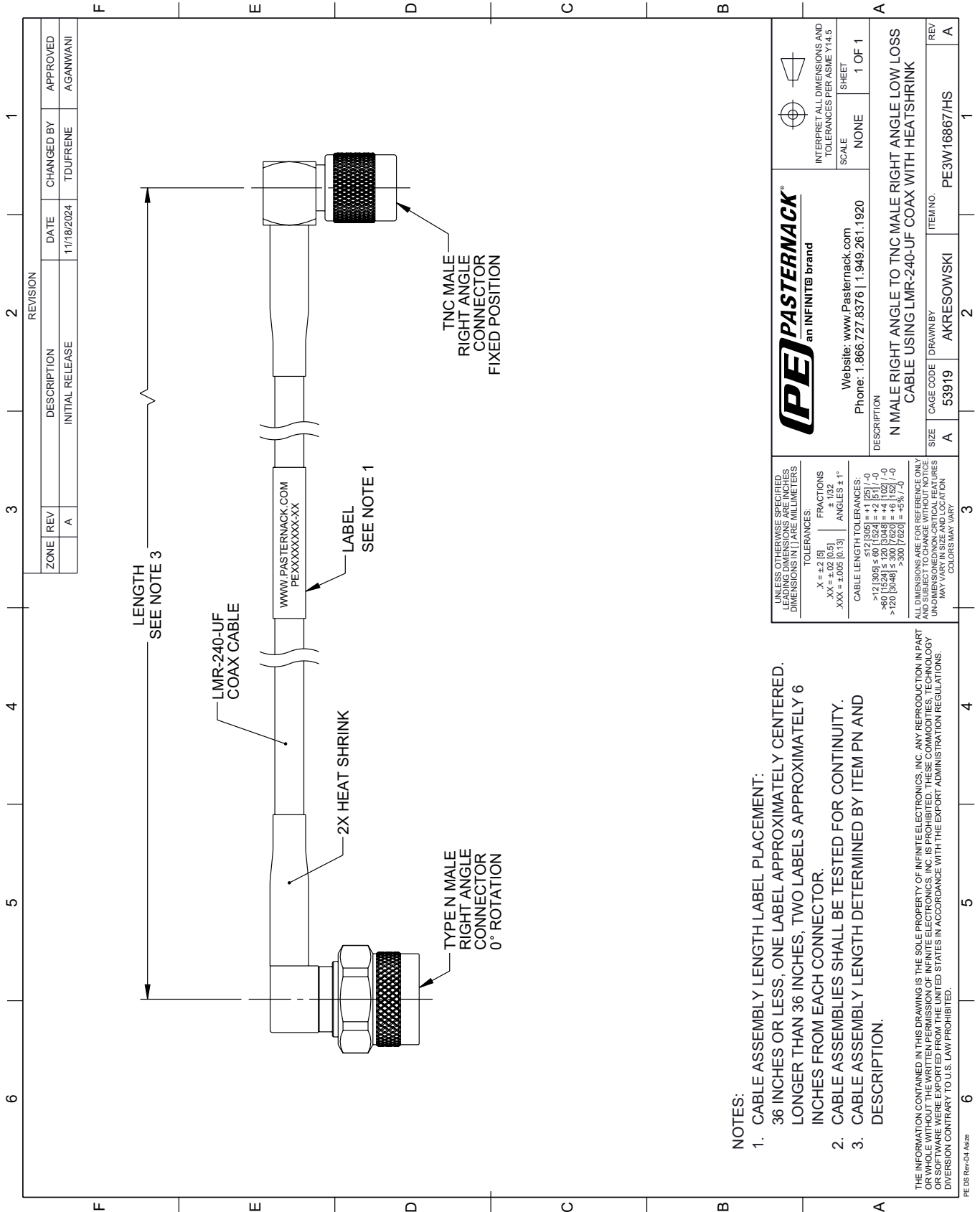
Click the following link (or enter part number in "SEARCH" on website) to obtain additional part information including price, inventory and certifications: [N Male Right Angle to TNC Male Right Angle Low Loss Cable Using LMR-240-UF Coax with HeatShrink PE3W16867/HS](#)

URL: <https://www.pasternack.com/n-male-right-angle-to-tnc-male-low-loss-cable-using-lmr-240-uf-with-heatshrink-pe3w16867-hs-p.aspx>

The information contained within this document is accurate to the best of our knowledge and representative of the part described herein. It may be necessary to make modifications to the part and/or the documentation of the part in order to implement improvements. Pasternack Enterprises reserves the right to make such changes as required. Unless otherwise stated, all specifications are nominal. Pasternack Enterprises does not make any representation or warranty regarding the suitability of the part described herein for any particular purpose, and Pasternack Enterprises does not assume liability arising out of the use of any part or document.

# PE3W16867/HS CAD Drawing

N Male Right Angle to TNC Male Right Angle Low Loss Cable Using LMR-240-UF Coax with HeatShrink




**NOTES:**

- CABLE ASSEMBLY LENGTH LABEL PLACEMENT:  
36 INCHES OR LESS, ONE LABEL APPROXIMATELY CENTERED.  
LONGER THAN 36 INCHES, TWO LABELS APPROXIMATELY 6 INCHES FROM EACH CONNECTOR.
- CABLE ASSEMBLIES SHALL BE TESTED FOR CONTINUITY.
- CABLE ASSEMBLY LENGTH DETERMINED BY ITEM PN AND DESCRIPTION.

THE INFORMATION CONTAINED IN THIS DRAWING IS THE SOLE PROPERTY OF INFINITE ELECTRONICS, INC. ANY REPRODUCTION IN PART OR WHOLE WITHOUT THE WRITTEN PERMISSION OF INFINITE ELECTRONICS, INC. IS PROHIBITED. THESE COMMODITIES, TECHNOLOGY OR SOFTWARE WERE EXPORTED FROM THE UNITED STATES IN ACCORDANCE WITH THE EXPORT ADMINISTRATION REGULATIONS. DIVERSION CONTRARY TO U.S. LAW PROHIBITED.

PE DS Rev-04 Add2

 <p>an INFINITE brand</p>		 <p>INTERPRET ALL DIMENSIONS AND TOLERANCES PER ASME Y14.5</p>
Website: <a href="http://www.Pasternack.com">www.Pasternack.com</a> Phone: 1.866.727.8376   1.949.261.1920		SCALE: NONE SHEET: 1 OF 1
DESCRIPTION N MALE RIGHT ANGLE TO TNC MALE RIGHT ANGLE LOW LOSS CABLE USING LMR-240-UF COAX WITH HEATSHRINK		
SIZE	CAGE CODE	ITEM NO.
A	53919	AKRESOWSKI
DRAWN BY		REV
AKRESOWSKI		A