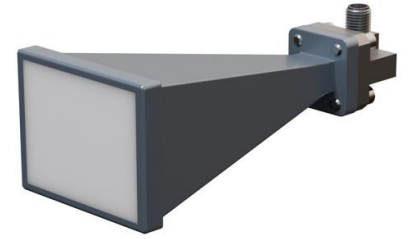


WR-28 Standard Gain Horn with 20 dBi Gain, 2.92mm Female Connector with Weather Resistant Radome Cover



PE3WAN028-20KF

Features

- 26.5 GHz to 40 GHz
- WR-28 Waveguide Band
- 20 dBi Nominal Gain
- 2.92mm Female Connector
- Ruggedized Aluminum Cage-Style Mount
- Integrates with Positioning Systems

Applications

- Antenna Measurements
- Wireless Communication
- Laboratory Use
- Microwave Radio Systems
- Radome Testing
- Automotive Antenna Test Solutions
- Radar Cross Section
- Satellite Antenna Testing

Description

The PE3WAN028-20KF standard gain horn antenna (also known as a waveguide horn antenna) is part of our huge selection of waveguide antennas. Pasternack's standard gain horn antenna is manufactured with a weather-resistant radome cover and a waveguide to coaxial transition adapter. Our WR-28 waveguide antenna features a 2.92mm female connector. This antenna is suitable for applications such as antenna measurements, wireless communication, laboratory use, microwave radio systems, radome testing, automotive antenna test solutions, radar cross section, and satellite antenna testing.

Our WR-28 standard gain horn antenna with a 2.92mm female input has a minimum frequency of 26.5 GHz and a maximum frequency of 40 GHz. Pasternack's PE3WAN028-20KF waveguide horn antenna with a weather-resistant radome cover has a typical gain of 20 dBi. Our waveguide antenna has a typical vertical beam width of 17.3 degrees and a horizontal beam width of 17.5 degrees at 3 dB. This antenna has a length of 3.55 inches, a width of 1.36 inches, and a weight of 0.42 lbs.

This WR-28 waveguide horn antenna with 20 dBi gain is part of over one million RF, microwave, and millimeter wave components available from Pasternack. Additional dimensions and specifications for this antenna are available on our downloadable PDF datasheet. Our standard gain horn antenna with a 2.92mm female interface can ship worldwide the same business day that it is purchased, as with our other available RF parts. For further information on similar products, our expert technical support and knowledgeable sales team can help you get the ideal waveguide horn that meets your requirements.

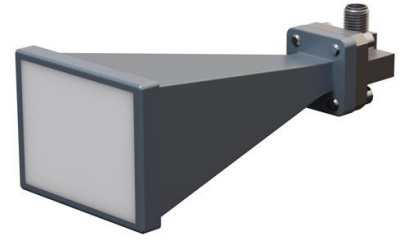
Configuration

Design	WR-28
Coaxial Interface	2.92mm Female

Electrical Specifications

Description	Minimum	Typical	Maximum	Units
Frequency Range	26.5		40	GHz
Gain		20		dBi
Horizontal Half Power Beam Width		17.5		Degrees
Vertical Half Power Beam Width		17.3		Degrees
Waveguide to Coaxial Adapter				
VSWR			1.3:1	

WR-28 Standard Gain Horn with 20 dBi Gain, 2.92mm
Female Connector with Weather Resistant Radome Cover



PE3WAN028-20KF

Mechanical Specifications

Size

Length	3.556 in [90.32 mm]
Width	1.369 in [34.77 mm]
Height	1.016 in [25.81 mm]
Weight	0.428 lbs [194.14 g]

RF Connector

Type	2.92mm Female
------	---------------

Waveguide Interface

Waveguide Size	WR-28
----------------	-------

Compliance Certifications (see [product page](#) for current document)

Plotted and Other Data

Notes:

Typical Performance Data

WR-28 Standard Gain Horn with 20 dBi Gain, 2.92mm Female Connector with Weather Resistant Radome Cover from Pasternack Enterprises has same day shipment for domestic and International orders. Our RF, microwave and millimeter wave products maintain a 99.4% availability and are part of the broadest selection in the industry.

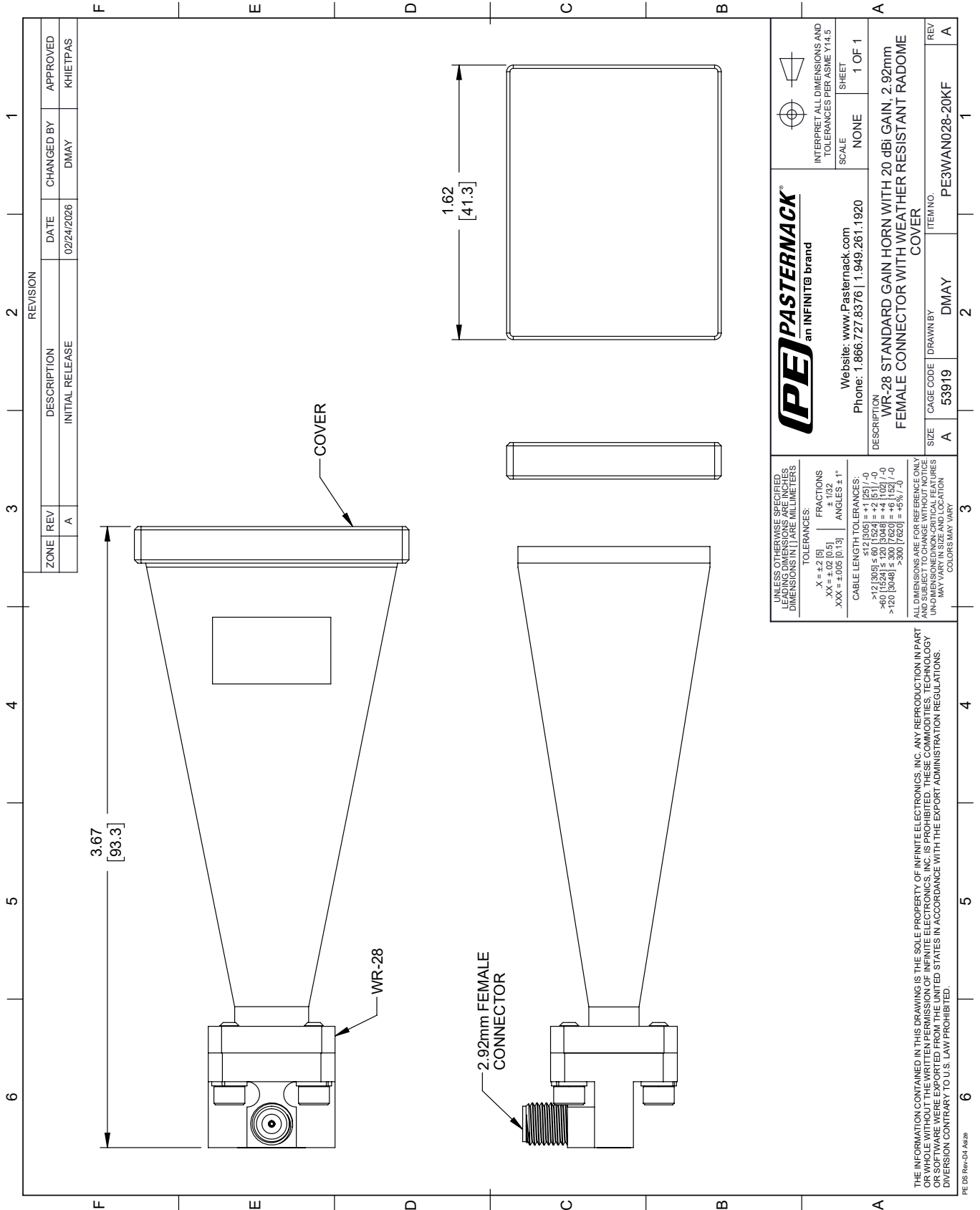
Click the following link (or enter part number in "SEARCH" on website) to obtain additional part information including price, inventory and certifications: [WR-28 Standard Gain Horn with 20 dBi Gain, 2.92mm Female Connector with Weather Resistant Radome Cover PE3WAN028-20KF](#)

URL: <https://www.pasternack.com/wr-28-waveguide-standard-gain-horn-antenna-20-dbi-2.92mm-pe3wan028-20kf-p.aspx>

The information contained within this document is accurate to the best of our knowledge and representative of the part described herein. It may be necessary to make modifications to the part and/or the documentation of the part in order to implement improvements. Pasternack Enterprises reserves the right to make such changes as required. Unless otherwise stated, all specifications are nominal. Pasternack Enterprises does not make any representation or warranty regarding the suitability of the part described herein for any particular purpose, and Pasternack Enterprises does not assume liability arising out of the use of any part or document.

PE3WAN028-20KF CAD Drawing

WR-28 Standard Gain Horn with 20 dBi Gain, 2.92mm Female Connector with Weather Resistant Radome Cover



REVISION		DATE	CHANGED BY	APPROVED
ZONE	REV	DESCRIPTION	INITIAL RELEASE	
A				KHIE/TPAS

PE PASTERNAK
an INFINITI® brand

Website: www.Pasternack.com
Phone: 1.866.727.8376 | 1.949.261.1920

INTERPRET ALL DIMENSIONS AND TOLERANCES PER ASME Y14.5

SCALE: NONE
SHEET: 1 OF 1

UNLESS OTHERWISE SPECIFIED, DIMENSIONS ARE IN INCHES. DIMENSIONS IN [] ARE MILLIMETERS.

TOLERANCES:
 .X = ±.2 [5]
 .XX = ±.02 [0.5]
 .XXX = ±.005 [0.13]

FRACTIONS: ± 1/32
 ANGLES: ± 1°

CABLE LENGTH TOLERANCES:
 >12 [305] ≤ 60 [1524] = ±.1 [25] / -0
 >60 [1524] ≤ 120 [3048] = ±.4 [102] / -0
 >120 [3048] ≤ 300 [7620] = ±.5 [12.7] / -0
 >300 [7620] = ±.5 [12.7] / -0

ALL DIMENSIONS ARE FOR REFERENCE ONLY. DIMENSIONS OF NON-CRITICAL FEATURES MAY VARY IN SIZE AND LOCATION. COLORS MAY VARY.

THE INFORMATION CONTAINED IN THIS DRAWING IS THE SOLE PROPERTY OF INFINITE ELECTRONICS, INC. ANY REPRODUCTION IN PART OR WHOLE WITHOUT THE WRITTEN PERMISSION OF INFINITE ELECTRONICS, INC. IS PROHIBITED. THESE COMMODITIES, TECHNOLOGY OR SOFTWARE WERE EXPORTED FROM THE UNITED STATES IN ACCORDANCE WITH THE EXPORT ADMINISTRATION REGULATIONS. DIVERSION CONTRARY TO U.S. LAW PROHIBITED.

PE DS Rev-04 Add2