



# 12G SDI 75 Ohm HD-BNC Male Connector Crimp/ Solder Attachment for Belden 4855R, Belden 1855A

## RF Connectors Technical Data Sheet

**PE40004**

### Configuration

- HD-BNC Male Connector
- 75 Ohms
- Straight Body Geometry
- Connector Interface Types: Belden 4855R, Belden 1855A

### Features

- Max. Operating Frequency 12 GHz
- Gold Plated Brass Contact
- 10  $\mu$ m contact plating
- Meets SMPTE ST 2082-1
- Backwards Compatible with 2081-1
- 12Gb/s Transmission
- Cost Effective
- 4x Panel Density of Standard BNC
- 20% Lighter than Standard BNC

### Applications

- General Purpose Test
- Custom Cable Assemblies
- 12G-SDI, Video, and Broadband UHDTV
- Broadband Internet Delivery
- Broadcast A/V
- 4K/8K Video Equipment
- Medical Equipment Requiring High Speed Video
- HD Cameras

### Description

Pasternack's PE40004 75 ohm HD-BNC male connector with crimp/solder attachment for Belden 4855R and Belden 1855A is part of our full line of RF components available for same-day shipping. Our HD-BNC male connector operates up to a maximum frequency of 12 GHz. Pasternack's 12G-SDI HD-BNC connector PE40004 utilizes 12Gb/s data transfer rates to enable high resolution uncompressed video signal transmission. These products offer 4K and Ultra-HD quality signals that meet SMPTE ST 2082-1. These 75 Ohm connectors are available in PCB edge-mount, straight, or right angle configurations, as well as coaxial connectors to be used in industry standard cable assemblies.

Our 75 ohm HD-BNC male connector PE40004 datasheet specifications and drawing with dimensions are shown below in this PDF. Pasternack's broad catalog of RF, microwave and millimeter wave connectors allows designers to configure and customize their signal connections however they like. Whether the need is to provide an I/O for a board design, or simply create a custom cable assembly configuration, Pasternack has the right connector for the job. Pasternack can also expertly build your custom cable assemblies for you and ship same-day.

### Electrical Specifications

Description	Minimum	Typical	Maximum	Units
Frequency Range	DC		12	GHz

### Mechanical Specifications

Size	
Length	1 in [25.4 mm]
Width/Dia.	0.305 in [7.75 mm]
Height	0.305 in [7.75 mm]

Click the following link (or enter part number in "SEARCH" on website) to obtain additional part information including price, inventory and certifications: [12G SDI 75 Ohm HD-BNC Male Connector Crimp/Solder Attachment for Belden 4855R, Belden 1855A PE40004](#)



## 12G SDI 75 Ohm HD-BNC Male Connector Crimp/ Solder Attachment for Belden 4855R, Belden 1855A

### RF Connectors Technical Data Sheet

**PE40004**

Weight 0.05 lbs [22.68 g]

#### Material Specifications

Description	Material	Plating
Contact	Brass	Gold 10 µin
Insulation	PTFE	
Outer Conductor	Brass	Nickel 100 µin
Body	Brass	Nickel 100 µin
Crimp Sleeve	Brass	Nickel

#### Environmental Specifications

**Compliance Certifications** (see [product page](#) for current document)

#### Plotted and Other Data

Notes:

12G SDI 75 Ohm HD-BNC Male Connector Crimp/Solder Attachment for Belden 4855R, Belden 1855A from Pasternack Enterprises has same day shipment for domestic and International orders. Our RF, microwave and millimeter wave products maintain a 99.4% availability and are part of the broadest selection in the industry.

Click the following link (or enter part number in "SEARCH" on website) to obtain additional part information including price, inventory and certifications: [12G SDI 75 Ohm HD-BNC Male Connector Crimp/Solder Attachment for Belden 4855R, Belden 1855A PE40004](#)

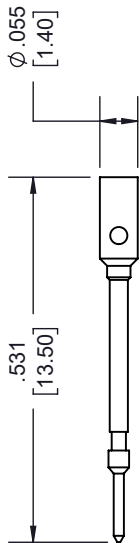
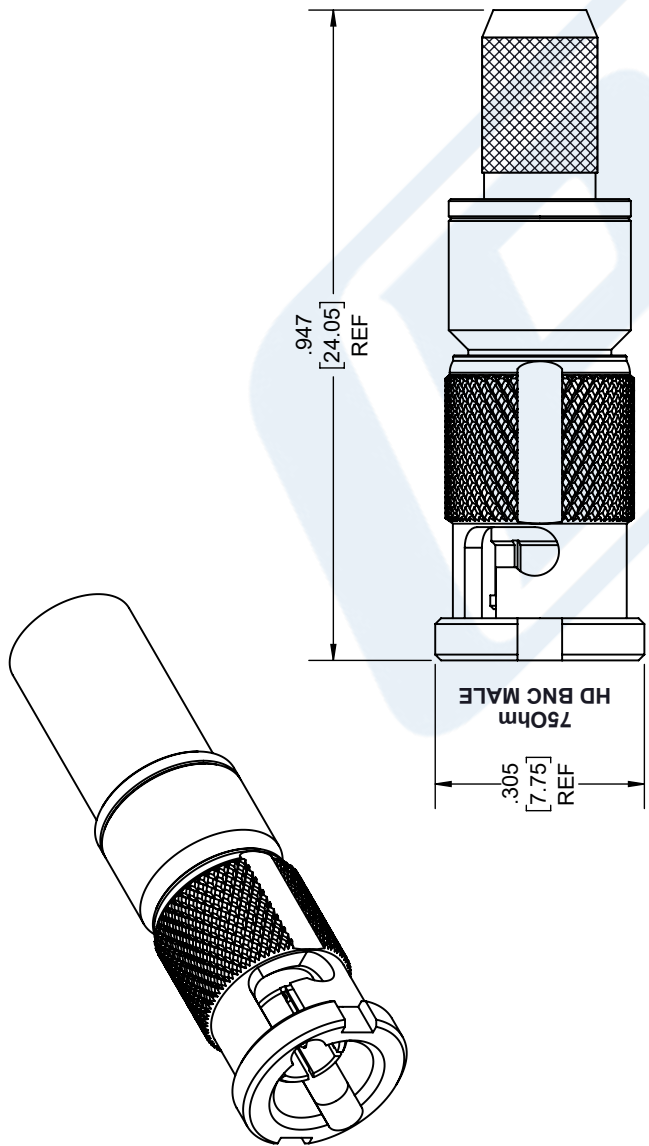
URL: <https://www.pasternack.com/hd-bnc-male-belden-4855r-belden-1855a-connector-pe40004-p.aspx>

The information contained in this document is accurate to the best of our knowledge and representative of the part described herein. It may be necessary to make modifications to the part and/or the documentation of the part, in order to implement improvements. Pasternack reserves the right to make such changes as required. Unless otherwise stated, all specifications are nominal. Pasternack does not make any representation or warranty regarding the suitability of the part described herein for any particular purpose, and Pasternack does not assume any liability arising out of the use of any part or documentation.

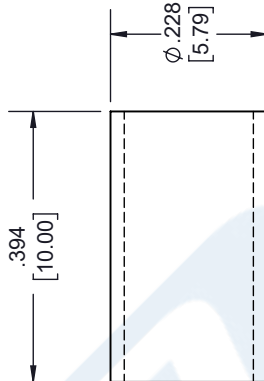
# PE40004 CAD Drawing

12G SDI 75 Ohm HD-BNC Male Connector Crimp/Solder  
Attachment for Belden 4855R, Belden 1855A

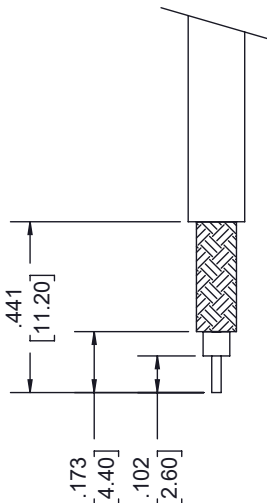
REVISIONS			
REV.	DESCRIPTION	DATE	APPROVED
A	INITIAL RELEASE	11/19/2021	A. GANWANI



CONTACT



FERRULE



### STRIPPING DIMENSIONS

#### NOTES:

- CABLE ATTACHMENT:  
• OUTER: CRIMP.  
• INNER: SOLDER/CRIMP.
- CRIMP SIZE REQUIRED:  
• FERRULE: .207 [5.26] HEX DIE.  
• CONTACT: .042 [1.07] HEX DIE.

UNLESS OTHERWISE SPECIFIED  
LEADING DIMENSIONS ARE INCHES  
DIMENSIONS IN [ ] ARE MILLIMETERS

TOLERANCES:  
.X = ±.2 [5.08] FRACTIONS ± 1/32  
.XX = ±.02 [ .51] ANGLES ± 1°  
.XXX = ±.005 [ .13] CABLE LENGTH (L), TOLERANCES:  
L ≤ 12 [305] = +1 [25] / -0  
12 [305] < L ≤ 60 [1524] = +2 [51] / -0  
60 [1524] < L ≤ 120 [3048] = +4 [102] / -0  
120 [3048] < L ≤ 300 [7620] = +6 [152] / -0  
300 [7620] < L = +5% / -0

ALL DIMENSIONS SHOWN  
ARE FOR REFERENCE ONLY.



THE INFORMATION AND  
DESIGN IN THIS DOCUMENT  
IS THE PROPERTY OF  
PASTERNAK CORPORATION  
ALL RIGHTS RESERVED.

SHEET 1 OF 1

SCALE N/A

REV A



Pasternack Enterprises, Inc.  
P. O. Box 16759, Irvine, CA 92623.  
Phone: 1.949.261.1920 | 1.866.727.8376

Fax: 1.949.261.7451  
Website: www.pasternack.com  
E-mail: sales@pasternack.com

SIZE A CAGE CODE 53919 DRAWN BY K.DANG ITEM NO. PE40004

THESE COMMODITIES, TECHNOLOGY OR SOFTWARE WERE EXPORTED FROM THE UNITED STATES IN ACCORDANCE WITH THE EXPORT ADMINISTRATION REGULATIONS. DIVERSION CONTRARY TO U.S. LAW PROHIBITED.